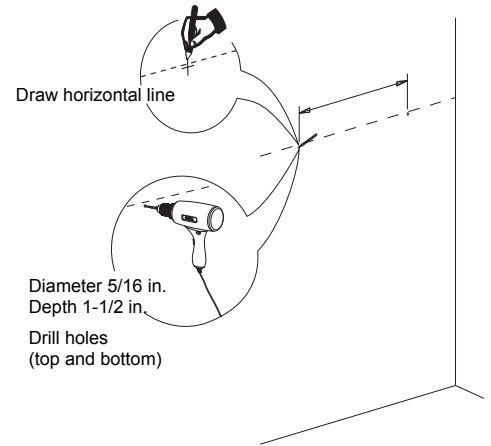


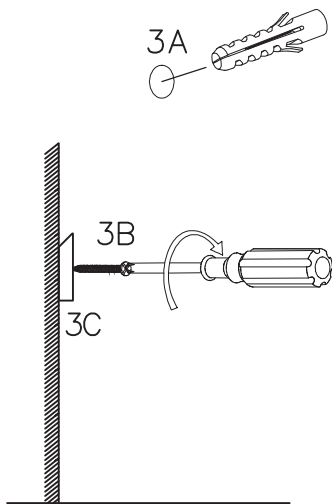
2

Measure positions on wall to reflect predrilled holes located on wooden cleat.



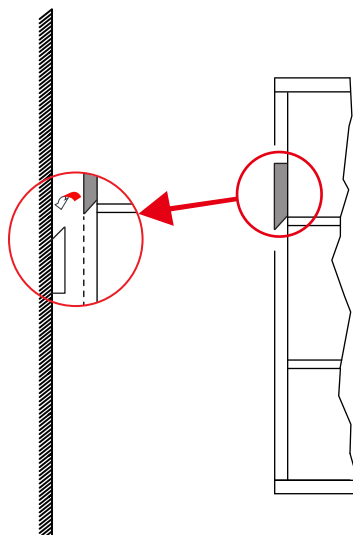
3

After holes are drilled, hammer in the stud bolts into the holes. Then line up wall cleat to match the predrilled holes. Tighten cleat to wall with screws.



4

Line up the cabinet according to the cleat, now tightly fastened on the wall. Make sure to place cabinet on top of cleat until it is secured on the wall.



5

