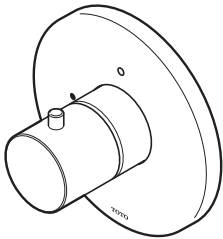
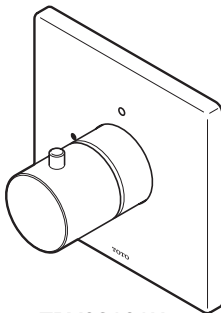


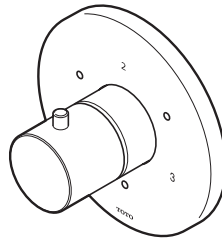
Shower trim



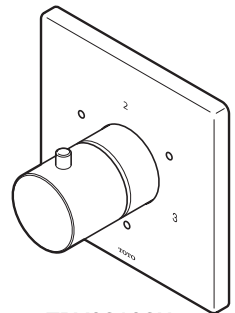
TBV01101U



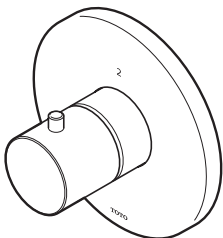
TBV02101U



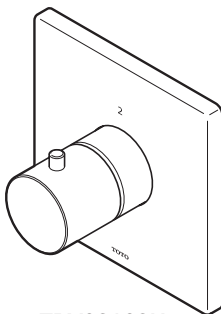
TBV01102U



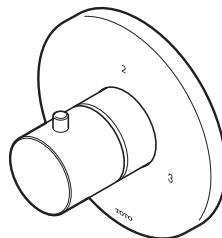
TBV02102U



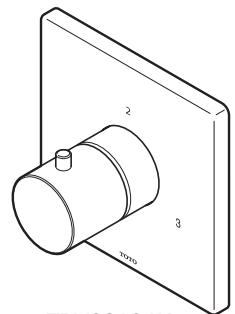
TBV01103U



TBV02103U



TBV01104U



TBV02104U

TABLE OF CONTENTS

Thank you for Choosing TOTO!.....	2	Included parts.....	3
Care and Cleaning.....	2	Installation Procedure.....	4
Warnings.....	2	Warranty.....	7
Before Installation.....	2	Rough-in dimensions.....	26
Tools you will need.....	3		

THANK YOU FOR CHOOSING TOTO!

The mission of TOTO is to provide the world with healthy, hygienic and more comfortable lifestyles. We design every product with the balance of form and function as a guiding principle. Congratulations on your choice.

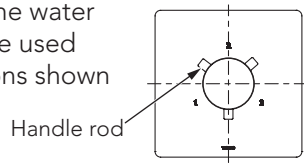
CARE AND CLEANING

Your new shower is designed for years of trouble-free performance. Keep it looking new by cleaning it periodically with mild soap, rinsing thoroughly with warm water and drying with a clean, soft cloth. Do not use abrasive cleaners, steel wool or harsh chemicals, as these will dull the finish. Failure to follow these instructions may void your warranty.

WARNINGS

For safe operation of the valve, please observe the following:

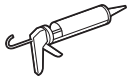
- Operating Pressure:
 - Minimum Pressure.....20 psi (138 kPa), dynamic
 - Maximum Pressure.....80 psi (551 kPa), static
- Do not solder the connections directly to the valve as damage to the internal components may occur.
- Do not use this product at an ambient temperature below 32°F (0°C).
- For products TBV01104U and TBV02104U, the water flow will be small and the product can not be used when the handle rod are in the three positions shown in the figure.



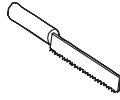
BEFORE INSTALLATION

- Observe all local plumbing codes.
- Make sure the water supply is shut off at the stop valve.
- Read these instructions carefully to ensure proper installation.
- TOTO reserves the right to update product design without notice.

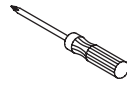
TOOLS YOU WILL NEED



Silicon caulk



Hacksaw

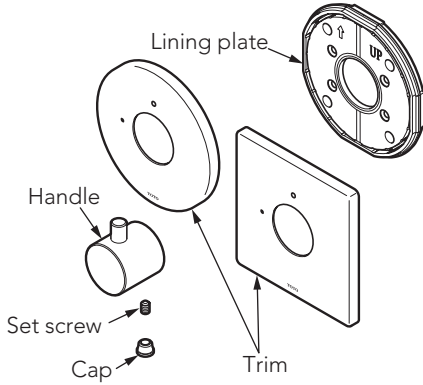


Screwdriver

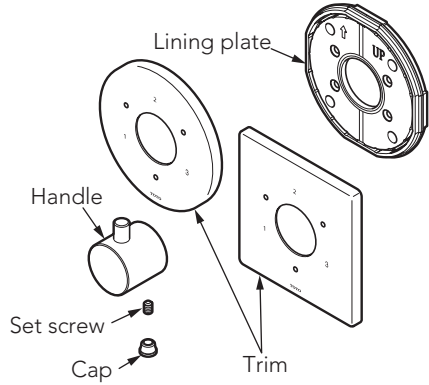
INCLUDED PARTS

■ Check to make sure you have the following parts indicated below:

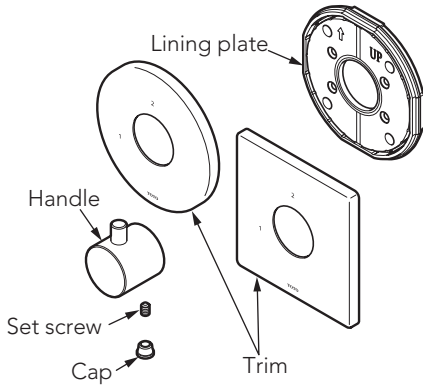
TBV01101U / TBV02101U



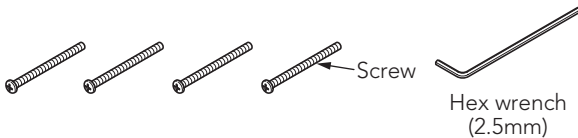
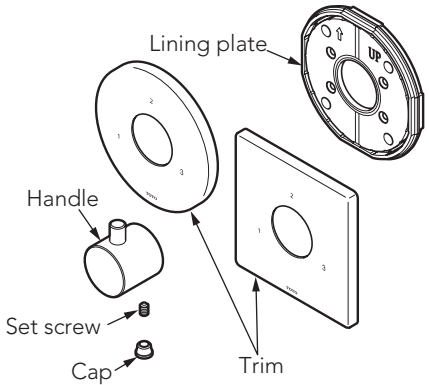
TBV01102U / TBV02102U



TBV01103U / TBV02103U



TBV01104U / TBV02104U

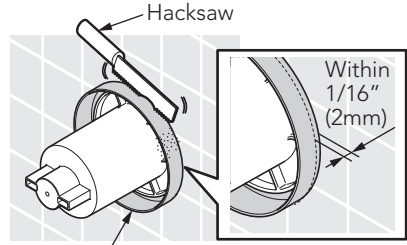


INSTALLATION PROCEDURE

ENGLISH

I. Preparing the Trim installation area

1. Use hacksaw to remove excess portion of outer plaster guard that extends from the wall surface. The space between the convex edge of the outer plaster guard and the wall surface needs to be within $1/16''$ (2mm).

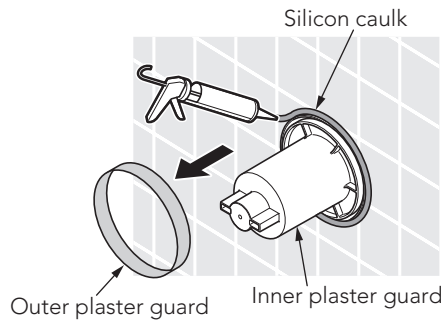


Outer plaster guard

WARNING:

- Keep a neat edge and make sure no edges are recessed into the wall surface when removing the outer plaster guard for the valve.
- When cutting, the plaster guard may get scratched, this does not adversely affect the product.

2. Apply silicone caulk uniformly and cover the gap between the outer plaster guard and the wall surface. Make sure adhesive is applied evenly and not convex to the wall surface.
3. Remove and discard the inner plaster guard.



Outer plaster guard

Inner plaster guard

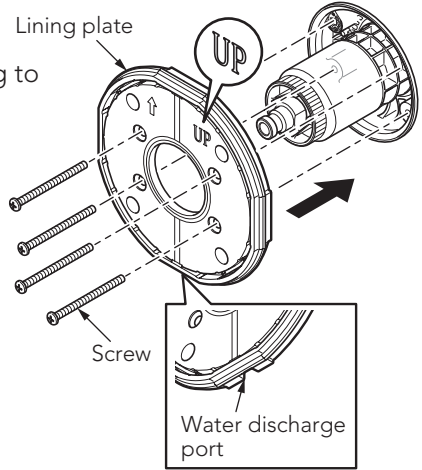
INSTALLATION PROCEDURE

II. Installation of Trim

1. Position and insert lining plate according to the "UP" label on product.
2. Use a screwdriver to manually fasten the screws on the lining plate.

WARNING:

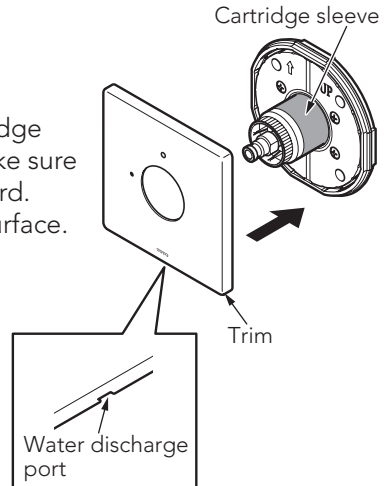
- Before installing lining plate, perform a pressure test and verify that both (HOT and COLD) water valves are completely open.
- Pay attention to the direction of the lining plate when installing. The water discharge port is located at the BOTTOM of the plate.
- DO NOT apply sealant to lining plate as this may block water discharge port. Lining plate includes a foam sealing strip.
- When fastening the screws on the lining plate, make sure to compress firmly. There should be no gap between the lining plate and the wall surface.
- DO NOT use an electric wrench to fasten screws, these should be tightened manually.



3. Align and insert the trim through the cartridge sleeve cover and over the lining plate. Make sure the water discharge port is facing downward.
4. Keep the trim within 1/16" (1mm) of wall surface.

WARNING:

- DO NOT scratch the cartridge sleeve when installing the trim.
- DO NOT apply waterproof caulk around the trim as this may interfere with the water discharge port located underneath the trim.

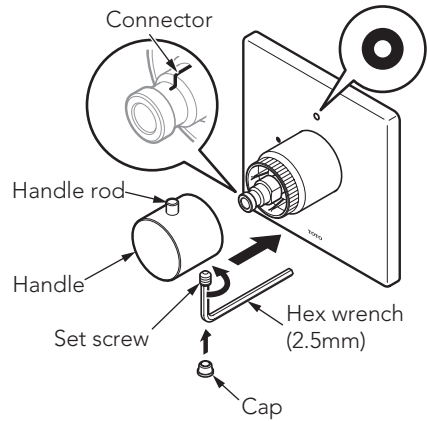


INSTALLATION PROCEDURE

- Remove the cap from the handle.
Insert the handle rod facing upwards into the connector. Use a hex wrench (2.5mm) to fasten the set screw to secure the handle.
Replace the cap onto the handle.

WARNING:

On model TBV02101*, the handle rod should align with the "●" marking on the trim.
On models TBV02102*, TBV02103* and TBV02104*, the handle rod should align with the "2" marking on the trim.



MAINTENANCE

Cleaning the Valves

- Accessing the valve body

- Remove the temperature control handle and diverter handle.
- Remove the trim and lining plate.

- To clean the cartridge

- Shut off the main Hot and Cold water supply.
- Remove the set screw, valve stem and cartridge sleeve. Remove the nut with a 17mm deep socket wrench.
- After removing the cartridge, clean it by using water and a toothbrush or a similarly soft-bristled brush.

IMPORTANT!

DO NOT use a wire or steel brush as this may damage the unit.

