

CRAFTMADE

TIMARRON #35901-ABZ / #35901-AN / #35901-LB

PLEASE READ AND SAVE FOR FUTURE REFERENCE.

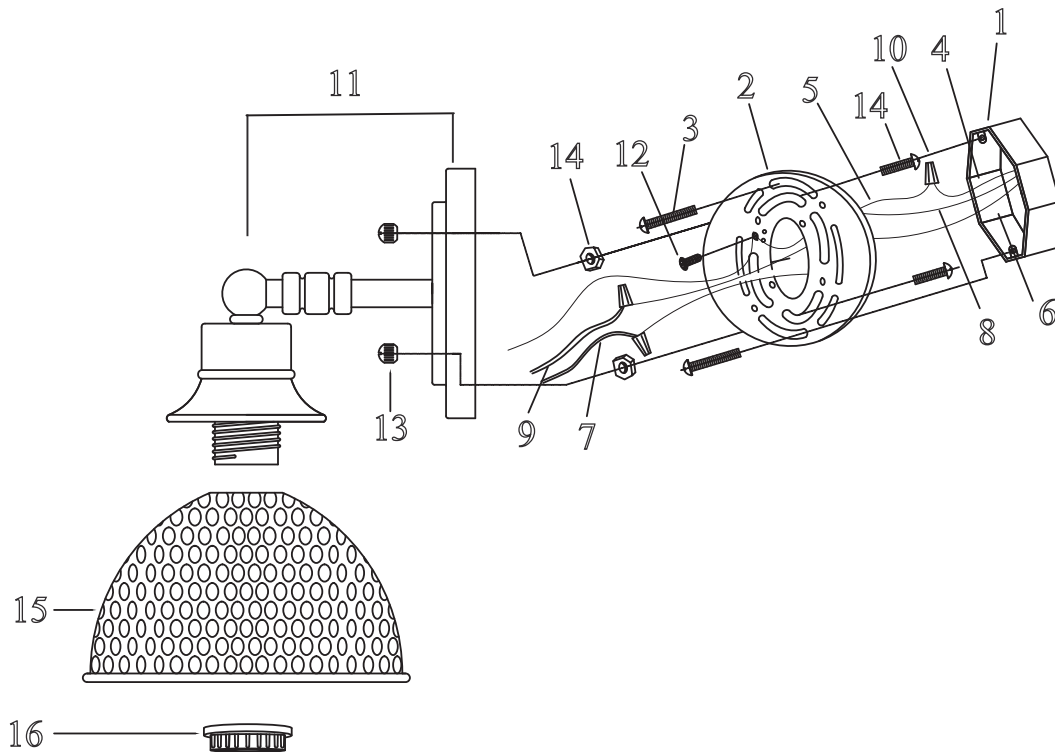
CAUTION

1. Turn off the main power at the circuit breaker before installing the fixture in order to prevent possible shock.
2. All electrical connections must be in accordance with local and National Electrical Code (N.E.C.) standards. If you are unfamiliar with proper electrical wiring connections, obtain the services of a qualified electrician.

GENERAL

Remove all parts and hardware from the box and make sure that none are missing by referencing the illustrations provided.

Bulb Required (not included): 1 Medium Base 100 Watt Max.



1-LIGHT WALL SCONCE

- | | |
|--|--|
| 1. OUTLET BOX (NOT INCLUDED) | 9. FIXTURE GROUND WIRE |
| 2. MOUNTING PLATE | 10. WIRE CONNECTOR |
| 3. OUTLET BOX SCREWS and WASHERS
(pre-attached to outlet box) | 11. FIXTURE |
| 4. BLACK SUPPLY WIRE (not included) | 12. GROUND SCREW (pre-attached) |
| 5. SMOOTH (or BLACK) FIXTURE LEAD WIRE | 13. DECORATIVE NUTS (pre-attached) |
| 6. WHITE SUPPLY WIRE (not included) | 14. FIXTURE SCREWS and HEX NUTS (pre-attached) |
| 7. RIBBED (or WHITE) FIXTURE LEAD WIRE | 15. SHADE |
| 8. SUPPLY GROUND WIRE (not included) | 16. SOCKET RING (pre-attached) |