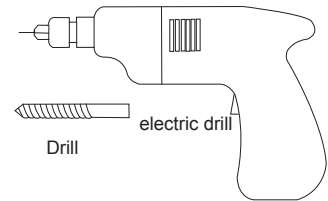
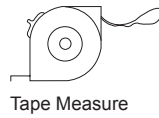
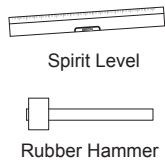
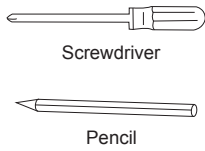


# Towel Rail Installation

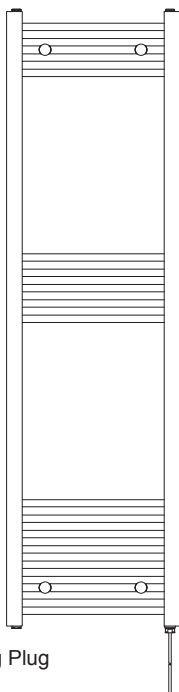
- Read the instruction sheet carefully before installation.
- Installation should be completed by professional person.
- Please dispose the package properly.

## tools required

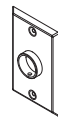


Blanking Plug

Airvent



Blanking Plug



Decorative cover  
x1

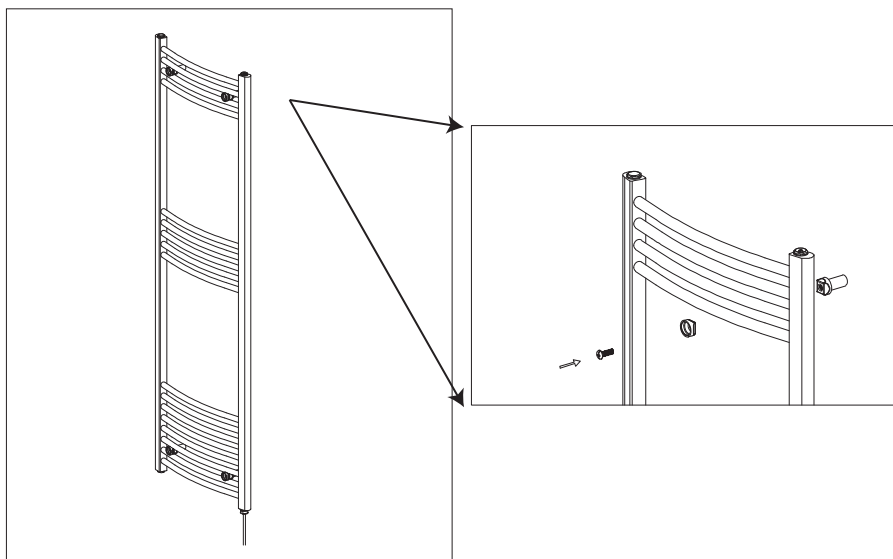


Silicone hose  
x1

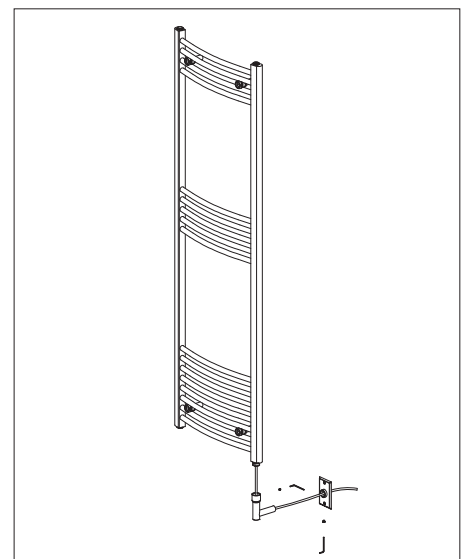


Right angle decorative tube  
x1

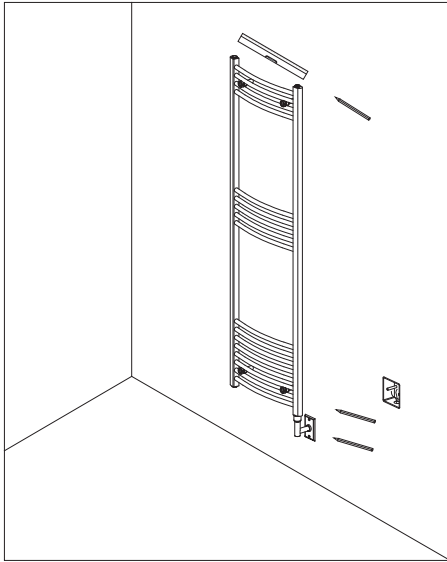
	Washer	x4
	Masonry Wall Plug (S14.8*60)	x4
	Expansion Pipe (Φ8*60)	x4
	Wall Bracket Core (Φ29*52.5)	x4
	Wall Bracket (60*Φ28*Φ20.4)	x4
	Cap (Φ29*9*SR26.6)	x4
	Bracket Bush (Φ29*15*R9.5*R11)	x4
	Short Screw (M8*30)	x4
	Cross Bolt (ST3.8*8)	x4
	Internal Hexagonal Wrench (S2.5x60)	x1
	Tapping Screw (S14*30)	x2
	Expansion Pipe (Φ8*36.5)	x2
	Cone Point Set Screw M5	x1
	Flat End Screw M5	x1



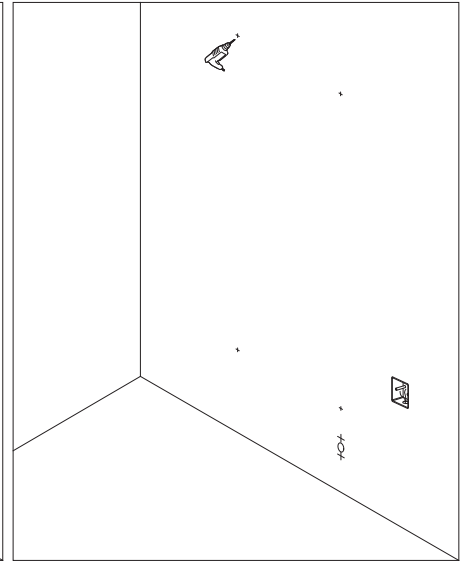
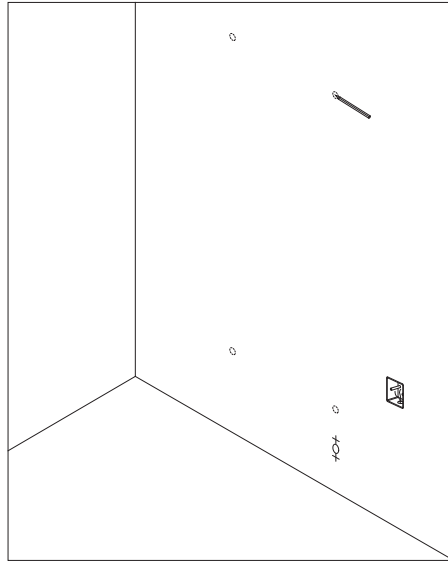
Step1. Attach the bracket piece to the body of the radiator, fix the radiator onto the brackets with screws.



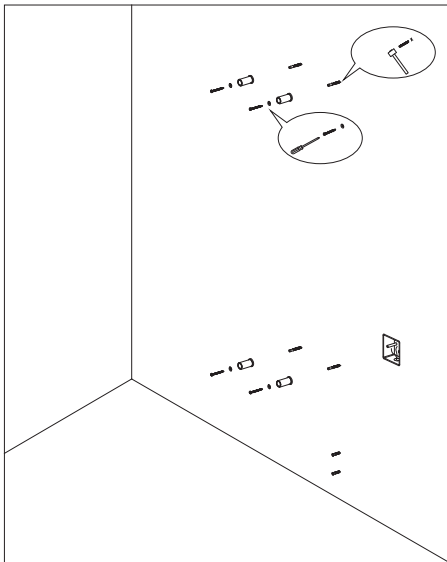
Step2. Get the power line through the silicone hose and then through the right angle decorative tube. Use internal hexagonal wrench and the screws to fix the decorative tube to the element. Get power line through the line pipe installed beforehand. This step is to confirm the position only.



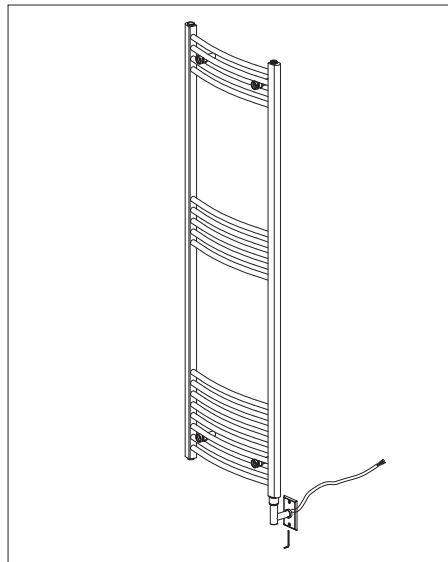
Step3. Position the towel warmer and the decorative cover plate in desired location. Check for level with the spirit level. Mark the positions of 4 wall brackets and decorative cover plate with a pencil.



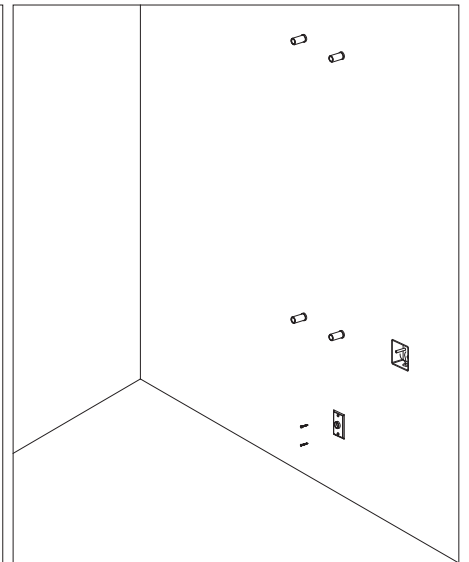
Step4. Drill holes in wall.



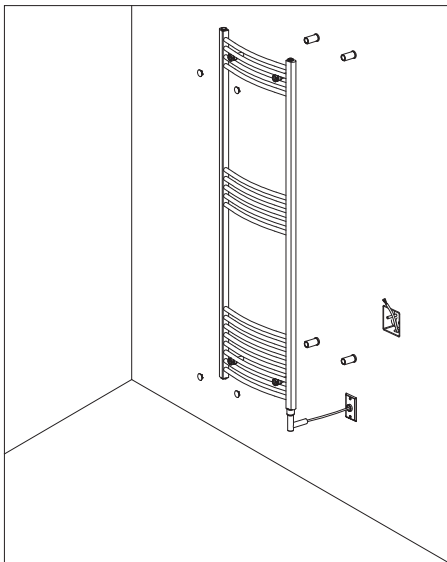
Step5. Hammer the wall anchor into the hole and fix the wall brackets to the wall with screws.



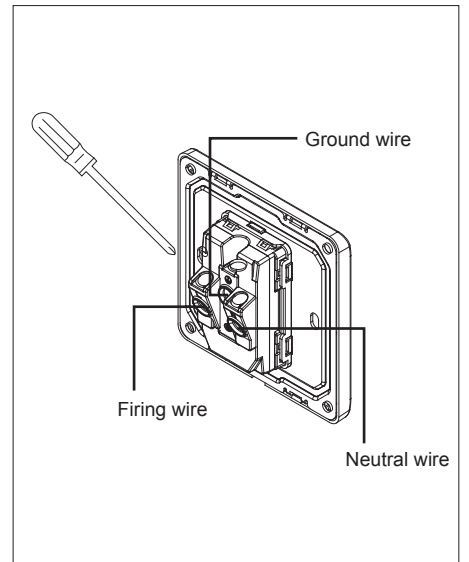
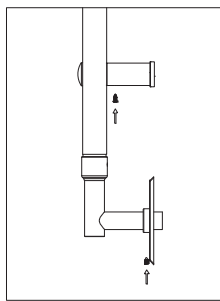
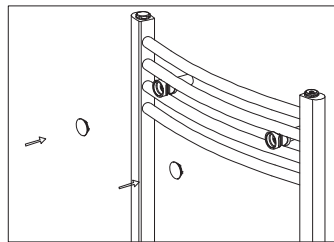
Step6. Loosen the set screw between the round decorative tube and decorative cover plate.



Step7. Fix the decorative cover plate onto the wall with tapping screws.



Step8. Slide electric wires through the decoration cover plate into the wall. Install towel warmer on the wall and secure the wall brackets with screws. Secure the round decorative tube and cover plate with set screw.



Step9. Connect the wiring with junction box.