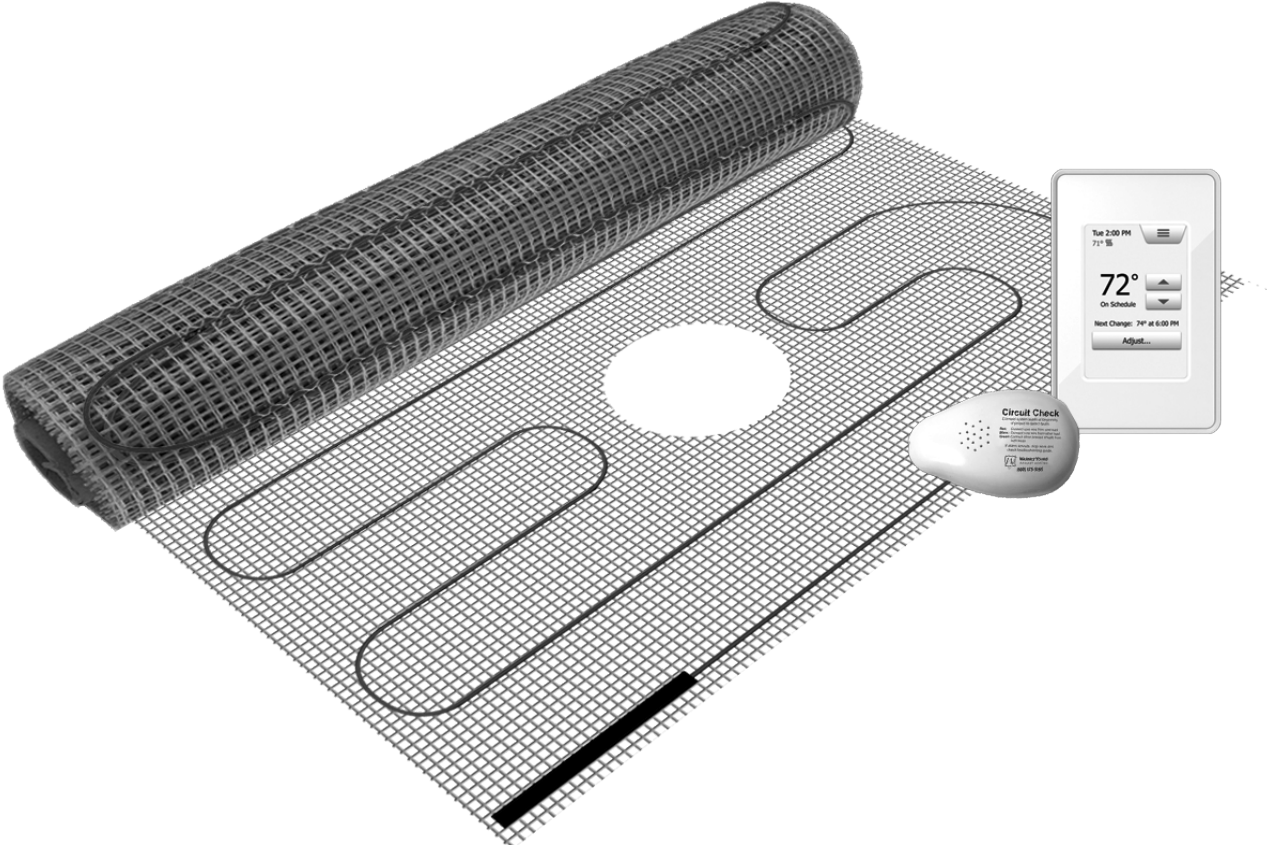




TempZone™ Electric Floor Heating Shower Mat System Installation Manual



Understanding The System

How The System Works

You can feel the heat of a campfire even though you are not directly above it. Radiant energy transfer is caused by a warm surface (the campfire) giving up its heat to a cooler surface (your body). This radiant energy travels through space without heating the space itself. It only turns into heat when it contacts a cooler surface. By transferring this heat to all of the objects in the room, the heat slowly moves to warm the air which starts to rise.

Proper Heat Dissipation

All radiant heating systems rely on a "Heat Bank". The heat moves from the source (Heating Element) into the Heat Bank (thin-set) and spreads out and warms the floor without creating an excessively hot spot. In the WarmlyYours Floor Heating System the thin-set and/or self-levelling cement acts as the Heat Bank. It is important to follow the installation guidelines to create a proper Heat Bank. For best results, we recommend a 1"- 1.5" maximum distance between the heating cable and the top of the tile. Wire Distances deeper than that will take longer to heat and may not heat to expectations or satisfaction.

Securing The Mat

Once the mat is fitted into the space, it needs to be secured to the subfloor to prevent movement during the installation of the floor covering. The options for securing the mat are discussed in detail on Page 8. Regardless of the method you choose, it is vital that the integrity of the Heating Element be maintained. Minimum 2 in. spacing between adjacent heating devices.

Protecting The Heating Element

It is vital that proper care be taken to insure that the Heating Element is not damaged during the installation of the system or by the floor covering. A thorough preparation and detailed inspection of the subfloor will assure that any and all objects that may damage the Heating Element are removed prior to installation.

Never Cut The Heating Element

The key to the system is the uninterrupted flow of electricity through the Heating Element.

nSpiration Series Control Thermostat Options

Option 1: nSpire Touch WiFi

This programmable model features touchscreen operation, an easy-to-use Install Wizard, and easy access to a detailed log of its energy use. Its WiFi capability also means that a user can operate their heating system remotely. It can even provide the user with weather reports, which could make leaving your house difficult on some winter mornings.

Option 2: nSpire Touch

Like the nSpire Touch WiFi, this programmable model also features touchscreen operation, an easy-to-use Install Wizard, and easy access to a detailed log of its energy use. In addition to its modern design, the nSpire Touch provides the user with the ability to easily program their radiant heating system to match their needs.

Option 2: nHance

This programmable model is button-operated and represents a blend of style and usability. By giving the user control over the programming, this model excels at providing optimal comfort with minimal energy consumption.

Option 2: nTrust

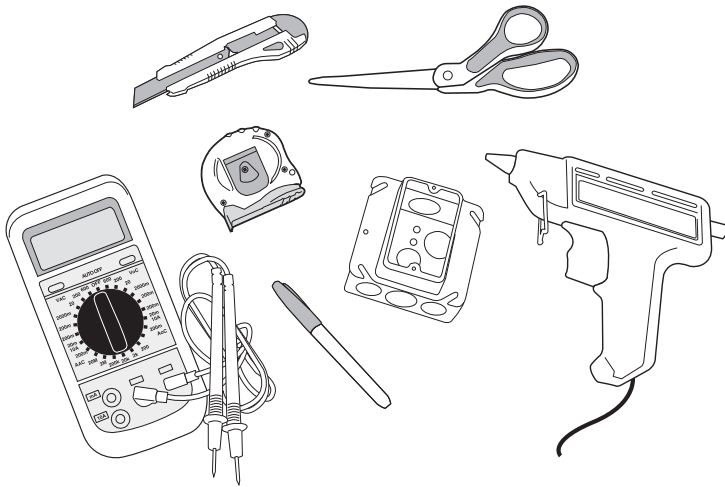
This non-programmable model is button-operated and is perfect for anyone who wants a thermostat that is both easy to install and easy to look at. It's sleek, minimalist appearance blends well with almost any design theme and operating it couldn't be simpler.

Items Needed For The System Installation

System Components From WarmlyYours

1. Heating mat (15-watt/ sq. ft.) If multiple mats are connected to the same control device, they must be of the same voltage type and wired in parallel.
2. nSpiration Series control device

IMPORTANT - Cross check the items you received against the packing list and the materials list on the installation plan to ensure that the roll length(s) and thermostat type(s) are an exact match.



Double Check Your Dimensions

Your order consists of the exact amount of material required to complete your project. If you have any discrepancies or questions, call WarmlyYours at (800) 875-5285.

Circuit Check (Not a substitute for an OHM meter)

This device, available from WarmlyYours, is a continuity checker that you connect to the cold lead wires before installation of the flooring material.

Ground Fault Circuit Interrupter

GFCI or 'GFCI-breaker' indicating its capacity if not incorporated into the control device you are using. This is a built-in feature of the nSpiration Series controllers

Digital Ohm Meter (multi-meter)

Test the Heating Mat before, during, and after the installation. A digital meter is strongly recommended because of the precise measurements needed.

Electrical Housing Boxes/Switch Plates

All control devices fit into a single gang box. If a double gang box is used it will need to be fitted with a single gang mud ring.

Electrical Conduit

Local electrical codes often require the power leads be inside a metal or plastic conduit when running through the wall from the Heating Roll to the control device. When using an in-floor sensor, if local code requires the low voltage sensor wire be housed in conduit, it must use a separate conduit from the power leads(high voltage).

Utility Scissors

Scissors are the best tool to trim and alter the Fiberglass Mesh of the Heating mesh and to separate any lengths of Heating Element from the Mesh. Never cut the Heating Element.

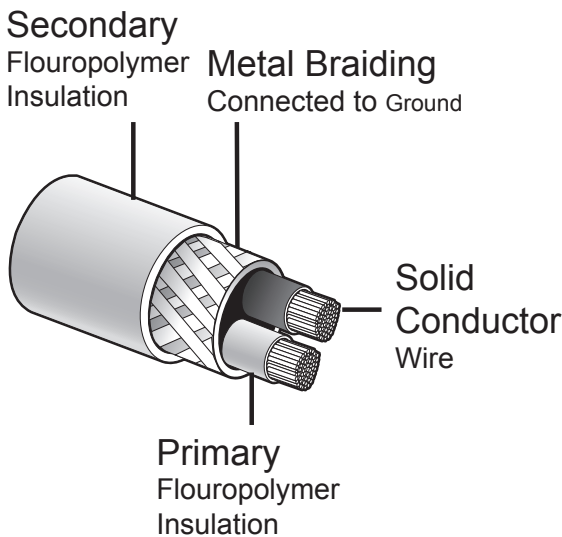
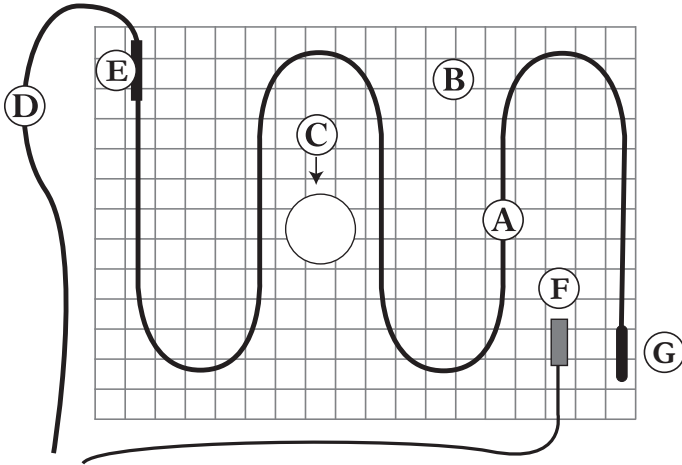
Hot Glue Gun

Use this to affix the Fiberglass Mesh portion of the Heating Roll to the prepared subfloor before covering with thin-set cement.

WarmlyYours Floor Heating System.

The Heating Mat

- A. Heating Element
- B. Fiberglass Mesh
- C. Drain Hole
- D. Cold Lead Wire
- E. Factory Splice
- F. Floor Sensor (optional)
- G. End Cap



The Heating Element

The Heating Element consists of two copper alloy resistance wires covered by Flouropolymer insulation. A braided metal surrounds the primary Flouropolymer insulation and serves as ground sheath. The Heating Element (A) attached with tape (C) in a serpentine pattern to a flexible Fiberglass Mesh (B). The Fiberglass Mesh is designed to keep the Heating Element evenly spaced throughout the roll. The cold lead return wire is factory installed at one end of the Heating Mat and must run back to the power supply along the perimeter of the heated space. The power lead (D) is 22-feet in length. The lead is spliced to the Heating Element (E) at the factory. If necessary, this lead wire may be shortened. Please note the thickness of the factory splice and cold lead and plan accordingly. Both the factory splices and the Heating Element must be completely embedded in thinset or self-leveling underlayment

Floor Sensor (not required for all systems)

Temperature sensor wire must be tested before and after installation and must measure between 8k to 18k ohm for temperatures between 68-86 F (20-30C). This measurement must be done with a digital ohm meter, set to the 20k range. Beware of self-ranging meters and analog meters.

Systems using a nSpiration Series control require a Floor Sensor (F). This Sensor is embedded in the floor and monitors the floor temperature. The Floor Sensor should be centered in between 2 resistance wires leaving approximately 1.5" on either side and extend about 6" into the heated area. Avoid placing the sensor in an area affected by a draft, a radiator or the sun. Must be installed if using a thermostat. Some people choose to install a second (Backup) sensor. For an additional cost you may purchase a second sensor. NEVER run the sensor wire over, under, or next to a heating wire. Sensor wires can touch the non-heating cold lead, but must not run next to the lead for more than a couple of inches and never run in the same conduit as the cold leads.

Heating Mats: Types and Sizes

Mats are rated at 15-watts per square foot and vary in size. Each mat is designed to draw a specific amount of electricity and therefore produce the proper amount of heat based on its size. For this reason, the mat can never be shortened to make a proper fit.

Working with the Heating Mat

The "Lead Wire" on the mat is designed to travel back to the control device location. These wires do not heat. All connections are made at this point.

Separating the Heating Element from the Mesh

During the installation, you may need to separate the Heating Element from the Fiberglass Mesh. This can be done provided the Heating Element is not cut and the shielding is not nicked or punctured.

Testing

DO NOT SUPPLY THE SYSTEM WITH ELECTRIC CURRENT

All testing is done with a digital Ohmmeter. Supplying the system with a 120 volt electric current before the installation is complete is not needed to test the system.



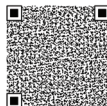
Taking the Ohm Readings

The electrical resistance of the Heating Roll(s) must be checked before you start, and monitored throughout the installation process to ensure there has been no damage causing shorts or breaks. We recommend at least three readings be taken:

1. Before starting installation.
2. After securing the Heating Roll(s) in place on the subfloor.
3. After installing the flooring surface above the Heating Roll(s).

Record the Ohm Readings

The Value on the UL label should be within +/- 15% variance of the original measurement indicated on the label. The electrician should carefully mark the initial Ohm reading taken onto the warranty card. Should the initial Ohm reading be outside the 15% +/- variance, refer to the electrical trouble shooting section on Page 9, or call Technical Support at (800) 875-5285.

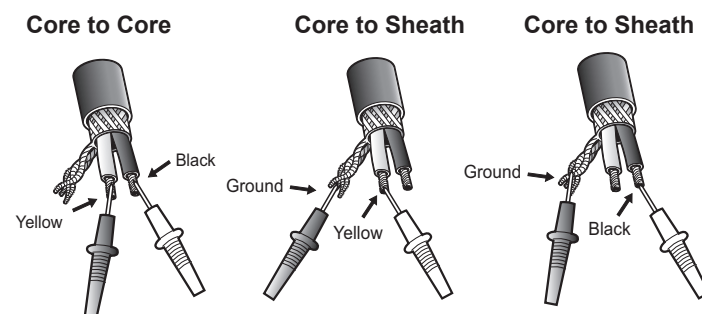
Catalog Number	ENREGISTRE			
	WarmlyYours TempZone™ Floor Heating Cable (Twin) UNITE DE PLANCHER CHAUFFANT ELECTRIQUE xxxx			
Wattage	Catalog Number : TRT120-1.5 x 04 Resistance / Ohm : 160.0 Ohm Core to Core : 160.0 Ohm Tension a Tension : N.A. Grd Sheath to Grd Sheath : N.A. Prise de terre a Pdt. : N.A. Output Unit W : 90 Watt Puissance de l'unité : 90 Watt Spesz.output W / sqf : 15 W Puissance au pied carre : 15 W Voltage : 120 V/ 60 Hz Usage Marking : - x	Length / ft : 4' Longueur en pieds : 4' Width / ft : 1.5 Largeur en pieds : 1.5 SI.No. : 12345 A		Serial Number
Voltage	"REFER TO INSTALLATION INSTRUCTIONS" "CAUTION : a ground fault protection device must be used With this heating device" "ATTENTION : ce produit doit être utilisé avec une protection de mise à la terre " "DO NOT CUT THE HEATING WIRE OR SHORTEN THE ROLL " "NEVER CONNECT DIRECTLY TO ANOTHER HEATING ROLL "			
Usage				
Refer to Instructions				

Go by the Numbers

The Ohm resistance should be measured from the inner core of the yellow (120V) to the inner core of the Black lead wire at the other end. Make sure that the probe of the Ohmmeter does not touch the tinned sheath wire at either end. Even your body's electrical resistance can affect the reading if you touch the meter poles. Do not hold the wires onto the probes with your fingers. A digital meter is easier to use and strongly recommended. It is wise to verify that the batteries of the Ohmmeter are good. Set your Ohmmeter to measure resistance in the range of 0 to 200 Ohms.

Three (3) Ohm Readings should be taken for each roll of WarmlyYours TempZone at each stage of the installation and recorded in the table below.

- 1) **Core to Core** - This is the reading between the two inner conductors on the lead wires.
- 2) **Core to Sheath Yellow Lead** - This is the reading between the inner core and the outer ground sheath on the lead wire. This reading should be infinity.
- 3) **Core to Sheath Black Lead** - This is the reading between the inner core and the outer ground sheath on the lead wire at the finish point of the roll. This reading should be infinity.



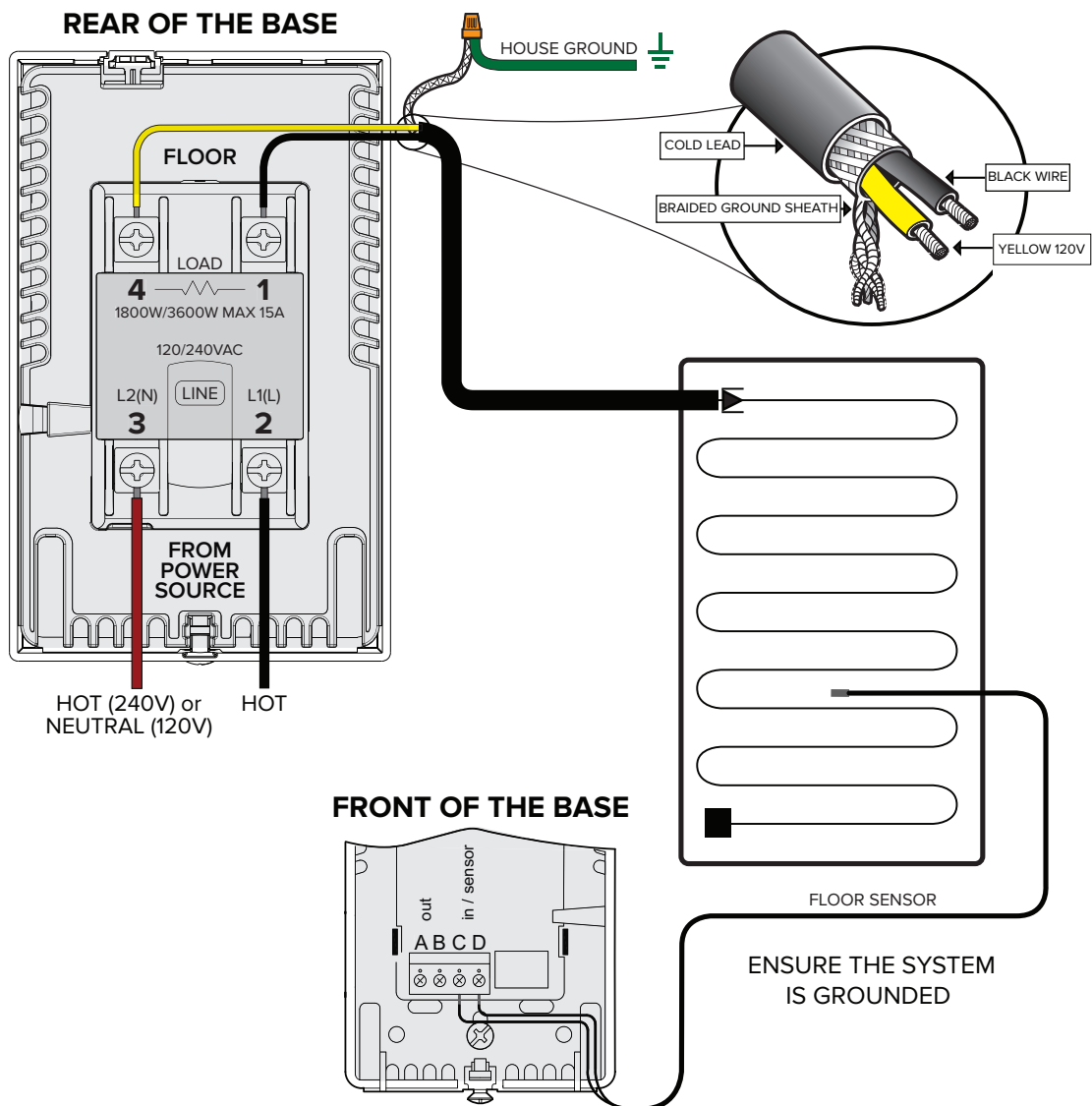
After the installation, if necessary, the position of a break can be found with a troubleshooting kit and thermal camera. Repair kits and guidance are available from the WarmlyYours support line. Details of how to repair a damaged Heating Element are also available on our web site at <http://www.warmlyyours.com/en-US/support>.

Example of Wiring a Control to Twin Conductor

Twin Conductor

Turn off Breaker

1. Attach neutral (120V) from breaker box to the terminal screw on the line side labeled "3 / L2(N)"
2. Attach line (120V) from breaker to the terminal screw on the line side labeled "2 / L1(L)"
3. Attach wire (yellow) from heating, roll to the terminal screw on the load side labeled "4"
4. Attach black wire from heating roll to the terminal screw on the load side labeled "1"
5. Using a wirenut, attach the ground wire of heating roll to the ground wire in the wallbox.
6. Turn on breaker.



Installer's Guide

STEP 1

Electrical Planning

The power supply to the Floor Heating System and the control device will be located at the same point in the room and indicated on your plan. If this location has changed, call WarmlyYours to determine if this will require a new Installation Plan. The lead wire is 15' long. You can relocate the control device as long as your leads reach the new location.

The thermostat requires a single gang box and should be positioned in a convenient place for easy access. From the gang box, two sets of wires will go to the floor:

Set 1) The 120-volt or cold lead wires that power the system

Set 2) The low voltage sensor wire if a nSpiration Series control is being installed.

Some local electrical codes require the low voltage and/or 120-volt wires above the floor to be installed in conduit. **The low voltage sensor wire must not be placed in the same conduit as the 120-volt power supply.** The portion of the cold lead that is installed in the floor and all heating wire will be directly covered with thin-set cement or flooring adhesive.

All lead wires will travel back to the control location (either directly or through a Relay Contactor)

⚡ AND MUST NOT CROSS OR COME IN CONTACT WITH THE HEATING ELEMENT.

Check the Ohms reading of the sensor wire before and after installation to make sure it has not radically changed. Most sensor wires have Ohms readings of 8,000 to 18,000 and your OHM meter must have a 20kohm setting for this measurement.

STEP 2

Prepare the Subfloor

Inspect the subfloor surface carefully. Remove all debris and grind any sharp edges of cracks. It is important to remove any sharp edges or pointed objects that might damage the Heating Element.

Once installed over skim coat of thin-set or mortar type cement/adhesive material is to be installed over the heating panel. The flooring materials that may be installed on top of the cement/adhesive material cannot have an insulation value greater than R-1.

IMPORTANT

Careless use of tools and excessive traffic during the next few steps is the leading cause of damage to the Heating Element. Never drop or bang a tool on the Heating Element.

Minimize walking on the Heating Elements and remember that when rising from a kneeling position, toecaps may exert too much uneven pressure on the elements.

Make sure that everyone involved in the installation or performing other work in the space during the installation process is aware of the extra care needed to protect the Heating Element.

Installer's Guide

Installation Recommendations

The space heating cable shall not extend beyond the room or area in which it originates.

The space heating cable is not installed in closets, over walls or partitions that extend to the ceiling, or over cabinets whose clearance from the ceiling is less than the minimum horizontal dimension of the nearest cabinet edge that is open to the room or area.

Isolated single runs of cable may pass over partitions where they are embedded.

The cable is not to be installed in walls.

The minimum distance between adjacent runs shall be 2 in.

Inspect and remove damaged or defective cables before they are covered or concealed.

Mark the appropriate circuit breaker reference label indicating which branch circuit supplies the circuits to those electric space heating cables.

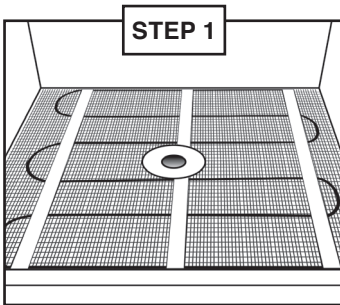
Minimum installation temperature for the wire is 5°F (-15°C). See Adhesive instructions for recommended minimum installation temperature.

For best results, we recommend a 1"- 1.5" maximum distance between the heating cable and the top of the tile.

When Installing in Wet Locations

- Installation shall be in accordance with the National Electric Code, NFPA-70 and CAN/CSA- C22.1, Canadian Electric code, Part 1 (CEC) and that final acceptance is to be made in the field by the Authority Having Jurisdiction (AHJ).
- WarmlyYours recommends using a separate Mat for shower areas.
Note: The UL Listing for this product covers use in wet locations for US and CANADA. Wet location installation in United States shall be in accordance with the National Electric Code, NFPA 70 and any other applicable jurisdictional code and final acceptance is to be made by the Authority Having Jurisdiction (AHJ).
- If insulation board is being used over a slab, use suitable glue or cement based adhesive or thinset mortar to adhere it to the slab. If installing in a wet location, ensure the slope of the mortar bed is maintained to direct water to the drain pipe. Note: For wet location installations, WarmlyYours recommends installing a secondary waterproofing membrane over the mortar bed covering the wire, as per membrane manufacturer's instructions. This will protect the mortar bed from any moisture that may seep through the tile, which could cause mold problems over time.

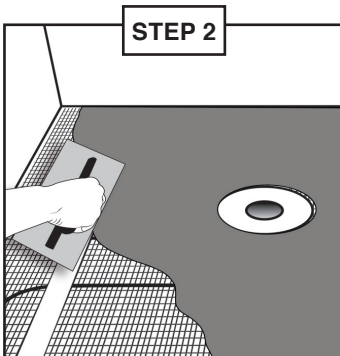
Shower Mat (Bench & Floor) - Installation Guide



Step 1

Once the skim coat of mortar has set, dry fit the TempZone™ Shower Mat to verify its dimensions and ensure it fits the contours of the shower area.

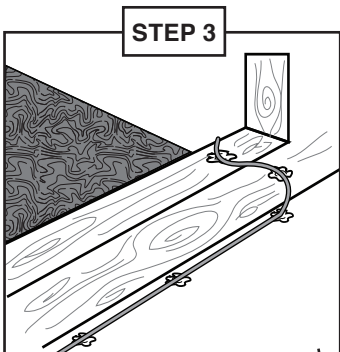
Conduct insulation & resistance tests. Record readings on the warranty card found inside the TempZone™ Installation instructions.



Step 2

Attach the mat to the subfloor thinset using hot glue. Prepare the latex-modified thinset. Using a flat trowel, spread a coat of thinset over the installed mat.

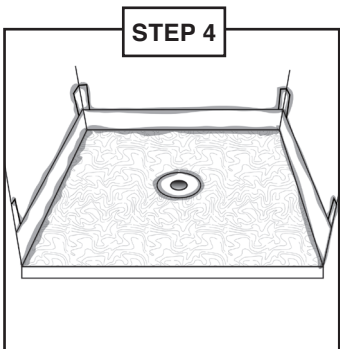
- For best results, we recommend a 1" maximum distance between the heating cable and the top of the tile.
- Please ensure the slope of the mortar bed is maintained to direct water toward the shower drain.
- Allow the thinset mortar to set. Conduct resistance tests and record readings on warranty cards.



Step 3

Using a hot glue gun, secure the cold lead to the mortar bed and over the shower curb. In order to minimize tension on the cold lead, use an "S" formation to bring the cold lead over the shower curb. Do not allow the tip of the hot glue gun to touch the cold lead as it may damage the TempZone™ Shower Mat.

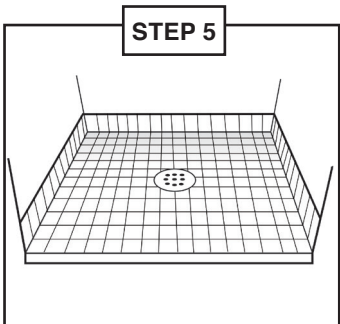
Direct the supply lead to the electrical panel box.



Step 4

Install a secondary waterproofing membrane in accordance with the membrane manufacturer's installation instructions.

A secondary waterproofing membrane will protect the mortar bed from any moisture that may seep through the tile, which could cause mold problems over time



Step 5

Install tile flooring according to the tile manufacturer's instructions. Conduct insulation & resistance tests and record the values on the warranty card.

Electrician's Guide – Trouble Shooting

“Beware of Using a Continuity Checker!”

Our smaller Heating Mats have a high Ohm resistance and some continuity checkers do not send enough current to get completely through the wire and emit the noise or light that affirms proper continuity. If your instrument cannot function on a small Heating Roll, please use a digital Ohm meter.

Electrical Fault-Finding

Once the system has been turned off and made safe, have a suitably qualified person:

1. Ensure all wires have been connected as per the wiring diagrams.
2. Make sure multiple rolls have been wired in parallel with all leads returning to the thermostat and not hooked to each other in series.
3. Confirm that control devices are receiving correct voltage.

Use a well calibrated digital Ohm meter with good batteries. The Ohm resistance level of each Heating Roll should be checked and the reading compared with the resistance that was recorded during installation on the corresponding UL label(s) (located on the circuit breaker box) and in the log on Page 12 of this Manual. If your reading is not within the 15%+/- range from the original reading, the roll may be damaged in some way. If you get zero across the core this indicates an open or short circuit beneath the finished flooring. The electrical contractor must locate the point of break or short, in coordination with the Technical Services Department of WarmlyYours.com.

Locating a Break or a Short

If your installation is complete, all wiring connections have been verified to be correct, including grounding of the system, you have checked the sensor wire for proper Ohms reading, and you suspect the system is still not working; you need to determine if there is a break or a short under the floor.

Checking for Breaks

The Ohm resistance of each roll should be measured across the core wires.

Make sure the probes of the Ohm meter do not touch the sheath wire. Make sure you do not touch either of the probe ends with your fingers, or the meter will be reading your internal body resistance.

Make sure your Ohm meter is set on the proper scale (0-to- 200 for Heating Rolls, or 0-to-20,000 for the sensor wire). Your Ohm resistance readings should come within 15% (plus or minus) of the original measurement indicated by the factory on the UL label.

If your Ohm reading is within 15% of what it should be, there is no break. However, you still need to check for an electrical short.

If your Ohm reading is lower (outside the 15% range), but there is clearly some continuity, check your Ohm meter and your batteries. If these are good, there is a possibility that you have several electrical shorts.

Infinity Ohm Reading?

If you have absolutely no reading (= infinity on your meter), and you are sure you adjusted the setting of the Ohm meter to the correct reading range (0-to-200 for the Heating Rolls, or 0-to-20,000 for the sensor wire), then you have a break (= total cut) in the conductor.

Checking for Electrical Short

In some rare occasions an installation may have suffered from a high pressure point that broke the insulation between the core conductor and the multi-stranded sheath. Such an opening in the insulation layer can create an electrical short, even though the Ohm reading from the white conductor to the yellow or red conductor is normal and does not indicate any circuit break. In these rare occasions a continuity test will show continuity between the one or both of the core conductors and the sheath wire.

There should be no continuity (=“ infinite” resistance reading, not zero) between the conductors and the sheath.

If your instrument reveals continuity between the core conductor and the sheath, there is a short in the circuit.

Important General Considerations

IMPORTANT INFORMATION

The most important consideration is to maintain the integrity of the Heating Element; following these simple rules can easily do this:

1. NEVER CUT the Heating Element.
2. NEVER CUT the Heating Mat to make it shorter.
3. NEVER fold or position the Heating Element so that it overlaps itself or other wires. The heating portion of the heating device set shall not touch, cross over, or overlap itself. This will cause dangerous overheating.
4. NEVER run the Cold Lead Wires or Sensor Wire across the Heating Element.
5. ALWAYS make sure the system is inspected and the Ohms tested before, during and after installation.
6. ALWAYS make sure everyone involved in the installation is aware of the care needed to protect the Heating Element from damage.
7. ALWAYS maintain consistent spacing when positioning the Heating Element.
8. Tiles will only be warm where the heating wire is installed. If there is no heating wire directly under the area, it will not be warm.
9. A dedicated circuit is recommended for the system.

Note for the System Installer

Complete the Warranty Card and return to WarmlyYours within 90 days.

Keep this installation manual safe for future reference.

Record your installation information here:

Name/Company of Electrician _____

Address _____

Tel.# _____

Location of UL labels _____

Name/Company of Floor Installer _____

Address _____

Tel.# _____

Location of Installation Plan _____

Date of installation _____

The instructions in this manual must be observed when installing the WarmlyYours Floor Heating System. Failure to follow these instructions may inhibit optimal performance of your Floor Heating System and void the system warranty. A tile-setter, flooring contractor or qualified Do-It-Yourselfer can install the WarmlyYours Heating Roll(s). However, a qualified electrician must complete the electrical connections of the system to the main electrical circuit in accordance with the National Electrical Code and your local codes. We trust that your installation goes well and that you enjoy your warm floors!

Warranty Information

Please complete and return the Warranty Card (online or you may send/fax this form)

Thank you for purchasing your new WarmlyYours TempZone™ floor warming system.

1. HOMEOWNER INFORMATION			4. HEATING SYSTEM INFORMATION		
Company Name		Phone	Install Date		
Address		Email	Installed Under:		
City	State	Postal/Zip	<input type="checkbox"/> Tile <input type="checkbox"/> Stone <input type="checkbox"/> Laminate Wood <input type="checkbox"/> Other (Please specify other) _____		
Fax			Sub Floor Material		
			Set In		
			Total Rolls Installed		
			Ohm Reading	Roll Size	Final
			Roll 1		
			Roll 2		
			Roll 3		
			Roll 4		
			Roll 5		
			Roll 6		
			Roll 7		

2. FLOOR INSTALLER INFORMATION		
Check here if homeowner installed <input type="checkbox"/>		
Company Name		Phone
Address		Email
City	State	Postal/Zip
Fax		

3. ELECTRICIAN INFORMATION		
Company Name		Phone
Address		Email
City	State	Postal/Zip
Fax		

WarmlyYours, Inc. warrants the WarmlyYours TempZone™ electric floor warming system rolls ("the Product") to be free from defects in materials and workmanship for twenty five (25) years from the date of sale, provided that the Product is installed in accordance with the WarmlyYours product installation guide, any special written or oral design or installation guidelines provided by WarmlyYours for the specific project that the Product is intended, the provisions of the National Electric Code (NEC), and all applicable local building and electrical codes. If the Product is determined to be defective in materials and workmanship, and has not been damaged as a result of misuse, misapplication or improper installation, WarmlyYours will, at the customer's discretion, either refund the original cost of the Product or reimburse the cost for any labor and materials required to perform the repair or replacement of the Product. Controls sold under the WarmlyYours name are warranted for specific coverage periods. Please see www.WarmlyYours.com for the length of warranty coverage for each control. Should the control be defective or malfunction, return the control to WarmlyYours and it will be repaired or replaced (at WarmlyYours option). The warranty does not cover removal or reinstallation costs. See entire warranty in packaging.

WarmlyYours Inc. assumes no responsibility under this warranty for any damage to the Product prior to or during installation by anyone, including, but not limited to trades people or visitors to the job site, or damage caused as a result of post installation work. Call our toll free number, (800) 875-5285, if you have any questions about installation. The Limited Warranty is null and void if the Product owner or his representative attempts to repair the Product without receiving authorization. Upon notification of an actual or possible problem, WarmlyYours will issue an Authorization to Proceed under the terms of the Limited Warranty.

Warranty Subject to the Following Conditions: 1. The warranty of the warming system must be registered by completing and returning the attached 'System Warranty Registration' card to WarmlyYours, Inc. within thirty days of date of purchase. Please keep your invoice, as proof of date of purchase will be required in the event of a claim. 2. The warming roll must be installed flat under tile, stone, resilient flooring or laminate wood in a latex modified thinset or a portland-based cement. 3. The warming system must be electrically grounded and protected by a GFI (Ground Fault Interrupter). 4. The installation must comply with all national and local electrical and building codes, as well as any other applicable statutory requirements. 5. The manufacturer hereby reserves the right to inspect the installation site at any reasonable time. 6. The warranty is not automatically transferred with change of ownership, but the

manufacturer may, on application, transfer the warranty for the period remaining. This transfer is solely at the discretion of the manufacturer. 7. The warming system should be used strictly in accordance with the following: 7.1 The voltage of the circuit should match the voltage of the warming system, and the size of the circuit should be such that the warming system does not occupy more than 80% of the circuit capacity. 7.2 Should you feel no warmth on the floor within 60 minutes, verify that there is power to the control or thermostat. Contact WarmlyYours after verifying that there is power through the load wires. Under no circumstances should you or anyone else tamper with or attempt to repair the warming system - this will render the warranty null and void. 7.3 Switch the warming system on and off as you would any conventional electric heater, although timers or thermostats may be used if preferred. 7.4 Use reasonable care in the operation of the warming system. Do not drop heavy articles on the flooring or pierce the flooring with sharp objects. 7.5 All restrictions and warnings detailed in the installation guide must be strictly followed.

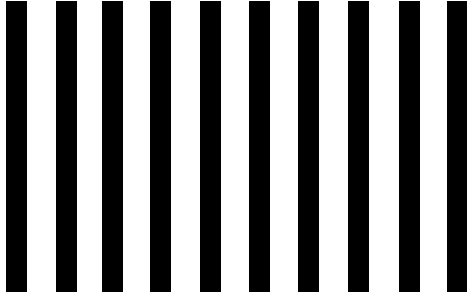
WARMLYYOURS, INC. DISCLAIMS ANY WARRANTY NOT PROVIDED HEREIN, INCLUDING ANY IMPLIED WARRANTY OF MERCHANTABILITY OR IMPLIED WARRANTY OF FITNESS FOR A PARTICULAR PURPOSE. WARMLYYOURS FURTHER DISCLAIMS ANY RESPONSIBILITY FOR SPECIAL, INDIRECT, SECONDARY, INCIDENTAL, OR CONSEQUENTIAL DAMAGES ARISING FROM OWNERSHIP OR USE OF THIS PRODUCT, INCLUDING INCONVENIENCE OR LOSS OF USE. THERE ARE NO WARRANTIES WHICH EXTEND BEYOND THE FACE OF THIS DOCUMENT. NO AGENT OR REPRESENTATIVE OF WARMLYYOURS HAS ANY AUTHORITY TO EXTEND OR MODIFY THIS WARRANTY UNLESS SUCH EXTENSION OR MODIFICATION IS MADE IN WRITING BY A CORPORATE OFFICER.

WarmlyYours makes no claim as to the amount of floor/room temperature rise, the time to reach a given floor/room temperature or final floor/room temperature due to the innumerable variations in building construction and environmental conditions.

RETURN POLICY
Product will be accepted for return if it is in "resalable" condition. The product must be in exactly the same condition as when we shipped it to you.



NO POSTAGE
NECESSARY
IF MAILED
IN THE
UNITED STATES



BUSINESS REPLY MAIL
FIRST-CLASS MAIL PERMIT NO 77 LONG GROVE IL

POSTAGE WILL BE PAID BY ADDRESSEE

WarmlyYours Inc
590 Teiser Rd Ste B
Lake Zurich, IL 60047

