

Steam Solenoid Valve

The Solenoid Valve is used to provide Steam-On-Demand® for consistent room temperature comfort and control. It's connected to the CU Steam Generator's control circuit. It opens to release steam from the CU Steam Generator to steam room when CU-D1 sensor detects steam room temperature within set operating temperature range.

Steam Solenoid Valve Installation:

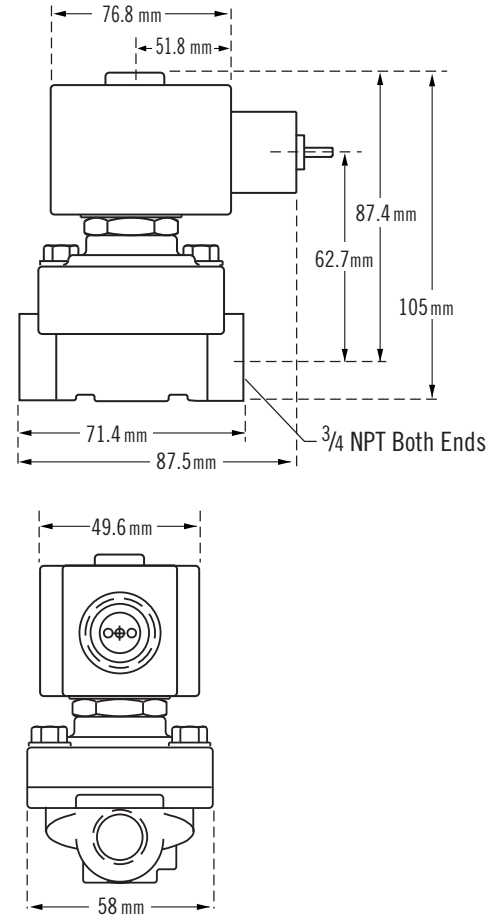
The steam solenoid valve is powered by the CU Steam Generator control circuit.

The steam solenoid valve:

- Should be plumbed as close as practical to the steam room
- Must be installed outside the steam room
- Must remain accessible for service
- Shall be plumbed horizontally

Technical Data:

- Brass Body
- Normally closed
- 3/4" Pipe size
- 240 VAC
- Max Temperature: 149° C
- Max Operating Pressure Differential: 3.45 Bar
- Watertight Coil Enclosure



FOR ILLUSTRATIVE PURPOSES ONLY. IMPORTANT NOTE: FOR SAFE AND TROUBLE FREE INSTALLATION

visit mrsteam.com before installation to download the Installation, Operation and Maintenance Manual or refer to the manual provided with the unit.

MODEL	PROJECT INFORMATION	
<input type="checkbox"/> 99286C (240 VAC)	Location:	Contractor:
	Architect:	Submitted By:
	Engineer:	Date:
Notes:		