

SEACHROME

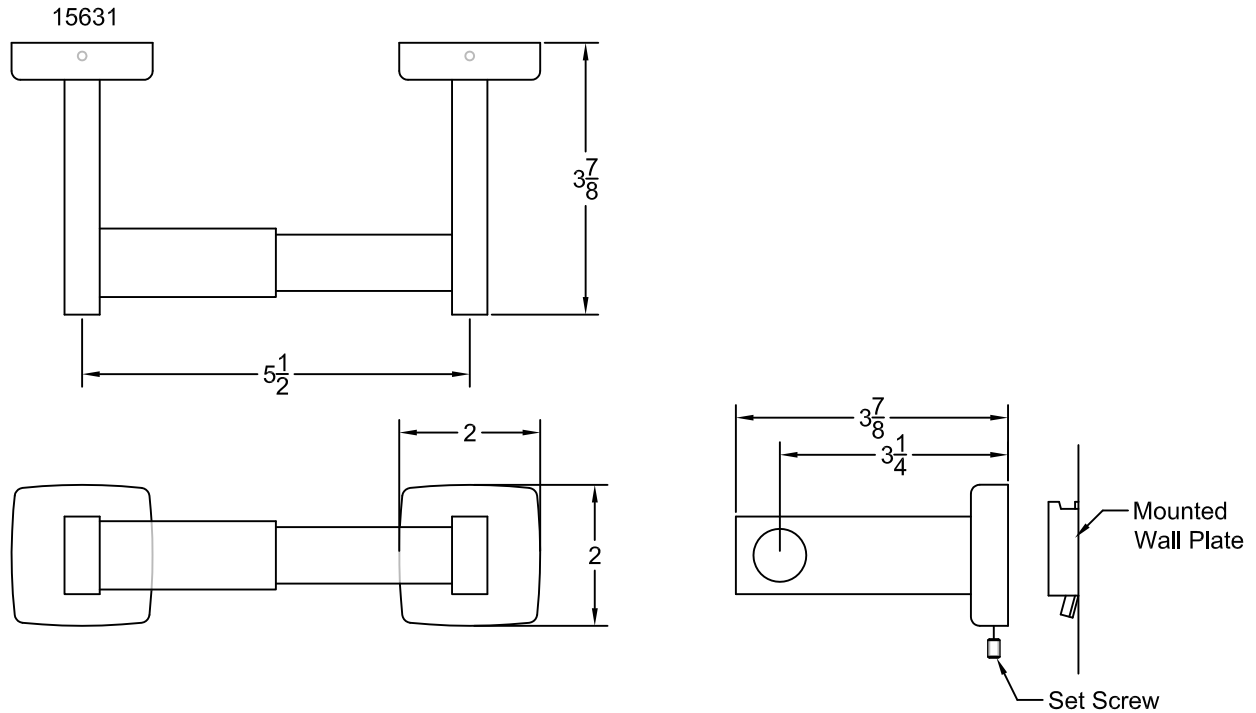
Description:

15631 Paper Holder

Customer:

Customer Part #

08-24-2015



Specifications:

All Accessories are fabricated of Type 304 Stainless Steel, available with either Satin or Polished Finish. Concealed mounting bracket is secured to a stainless steel wall plate by a stainless steel set screw.

FLANGE: 2" x 2" flange 22 ga. Stainless Steel.

POST: 22 ga. Stainless Steel.

WALL PLATE: 18 ga. concealed wall plate. The set screw secures the wall plate and flange.

SPINDLE: Spring Loaded White Plastic

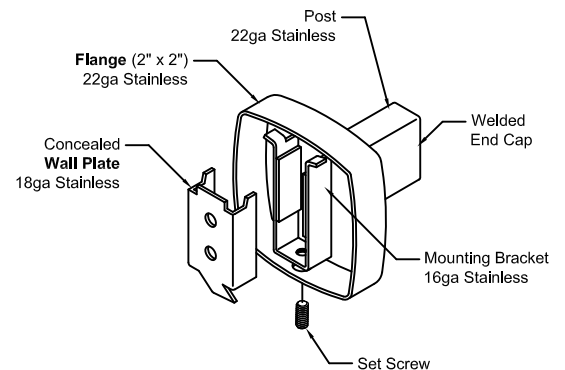
15631: Single Paper Holder

Overall Size: 6-1/2" Wide x 2" High x 3-7/8" Deep

FINISH: Add Suffix -PS for Polished Stainless Finish or -SS for Satin Stainless Finish.

Installation:

Place Wall Plate in desired location on wall and mark the location of the mounting holes. Drill pilot holes and secure to wall using the proper fasteners. Place the Flange over the Wall Plate and secure with provided set screw (see drawing below).



Wall Mounting Detail

This drawing and the information contained herein is proprietary to Seachrome Corp. and shall not be reproduced, copied or disclosed in whole, or part, or used for manufacturing or for any other purpose without the written permission of Seachrome Corporation.

This information is subject to change without formal notice. If you need any additional help, Seachrome Corporation has a technical support staff that is ready to assist you.