

SEACHROME

Seachrome Corporation

Description:

CORONADO SERIES TOILET PAPER HOLDER/ TOWEL RING

Customer:

Customer Part #

711-35

12-17-2012

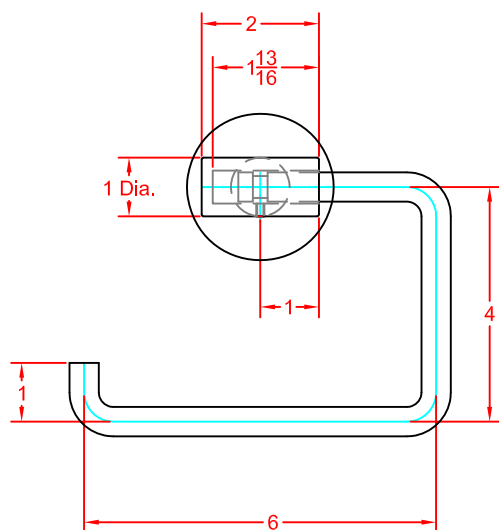
This drawing and the information contained herein is proprietary to Seachrome Corp. and shall not be reproduced, copied or disclosed in whole, or part, or used for manufacturing or for any other purpose without the written permission of Seachrome Corporation.

MATERIALS

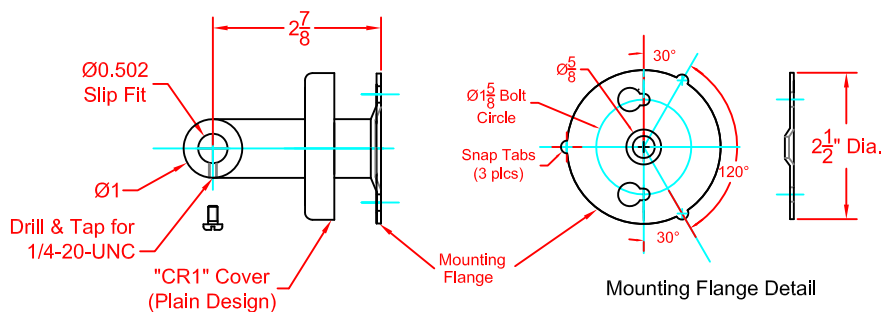
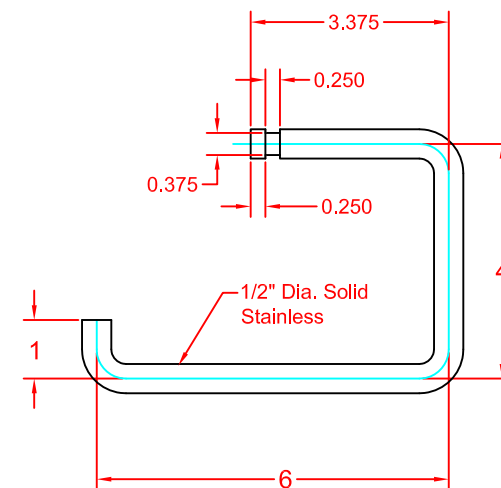
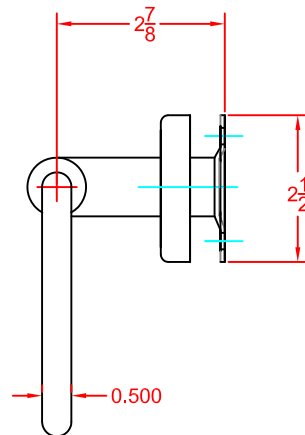
Mounting Flange: 2-1/2" Dia., 14ga. Stainless Steel.

Post: 1" Dia., 18ga. Stainless Steel.

Concealed Friction Cover: 22ga. Stainless Steel.



ASSEMBLY VIEW



Mounting Flange Detail

