

SEACHROME

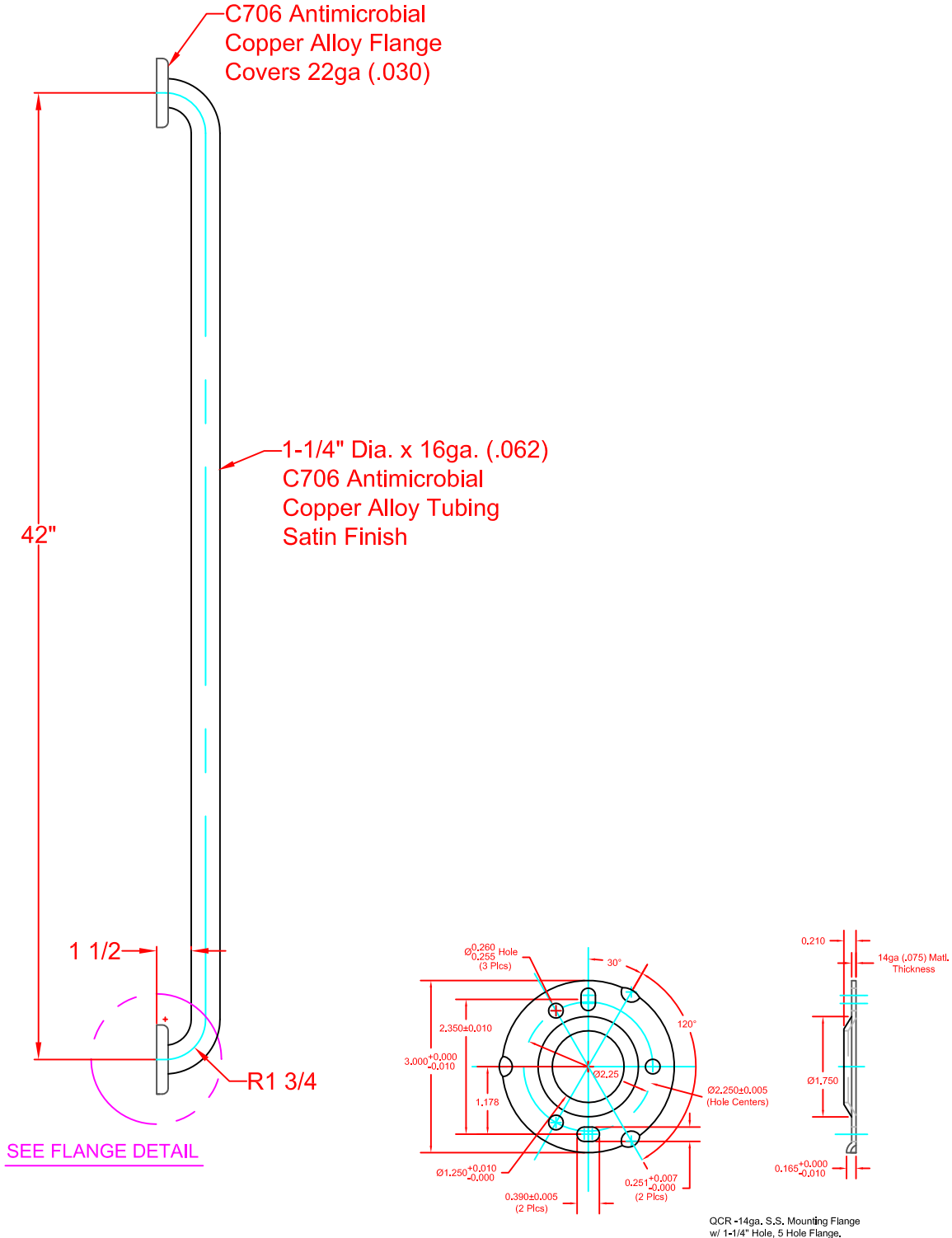
Description:

GCSS-420-QCR
42" Straight Grab Bar
Satin Finish
(C706 Antimicrobial Copper Alloy)

Customer:

Customer Part #

01-21-2019



Hardware Package Includes:
(6) #10 x 2-1/2" Phillips Pan Head
Sheet Metal Screw

This drawing and the information contained herein is proprietary to Seachrome Corp. and shall not be reproduced, copied or disclosed in whole, or part, or used for manufacturing or for any other purpose without the written permission of Seachrome Corporation.