

SEACHROME

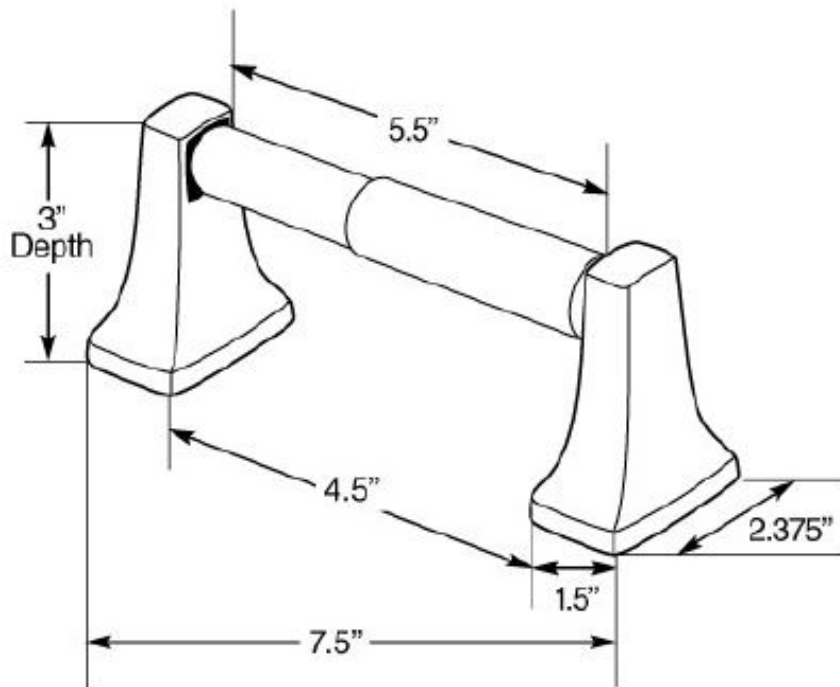
Description:

SCM-P5050
Paper Holder

Customer:

Customer Part #

08-21-2015



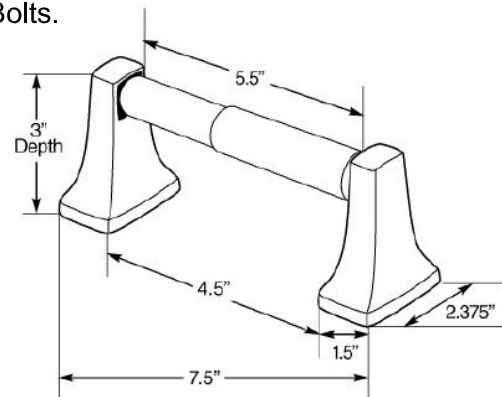
Specifications:

Paper Holder posts are die cast from highest quality zinc alloy (zamac). Castings are triple plated with a polished chrome finish. Roller is chrome plated plastic and spring loaded.

Installation:

1. Remove mounting brackets from back of fixtures by loosening the set screws.
2. Position assembled unit on wall in desired location.
3. Lightly mark the outlines of the bases of the unit.
4. Center mounting brackets inside the outline.
5. Mark hole locations. Attach brackets to wall using 1 3/8" screws (provided).
6. Mount bases on brackets. Tighten set screws on the bottoms.

Note: Wood blocking is preferable behind all wall surfaces. If wood blocking is not available, the following optional fasteners are suggested:
Tile/Masonry – Plastic or Lead Anchors;
Plaster/Drywall –
Toggle Bolts.



This drawing and the information contained herein is proprietary to Seachrome Corp. and shall not be reproduced, copied or disclosed in whole, or part, or used for manufacturing or for any other purpose without the written permission of Seachrome Corporation.

This information is subject to change without formal notice. If you need any additional help, Seachrome Corporation has a technical support staff that is ready to assist you.