

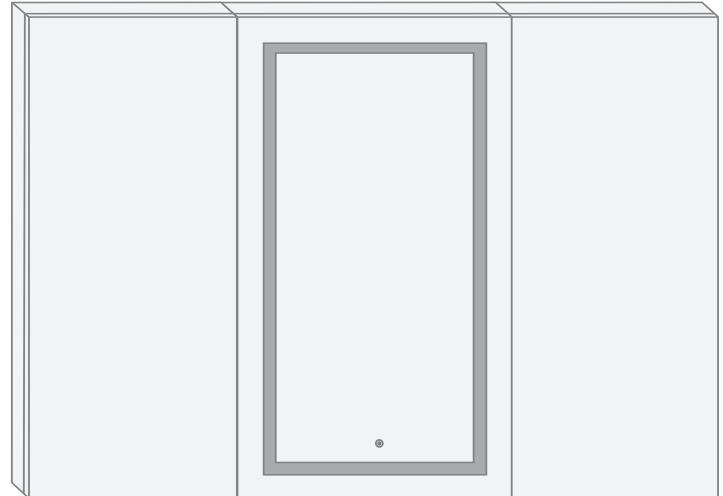
# SVANGE 6042LRR LED Medicine Cabinet - Specification Sheet

## Features

- Dimmable LED task lighting
- Integrated touch sensor control with memory
- Energy efficient LED lighting 5000K
- 4100 Lumens
- CRI 90+
- Integrated Defogger

## Construction

- Quality polished edge mirror
- Single phase wire installation
- 5 MM Silver Backed Copper Free
- Installation Either Surface Mount
- (Side Mirror Trim Panels included) or Recessed
- Includes installation hardware



## Codes/Standards Applicable

- Conforms to UL Std. 962
- Cert. to CSA Std. C22.2 No.250.0-08
- ETL Intertek 5004931

## Electrical System

- 120Vac, 60Hz, 55W
- Electric Current: 0.45A
- Wattage: 55W

## Model

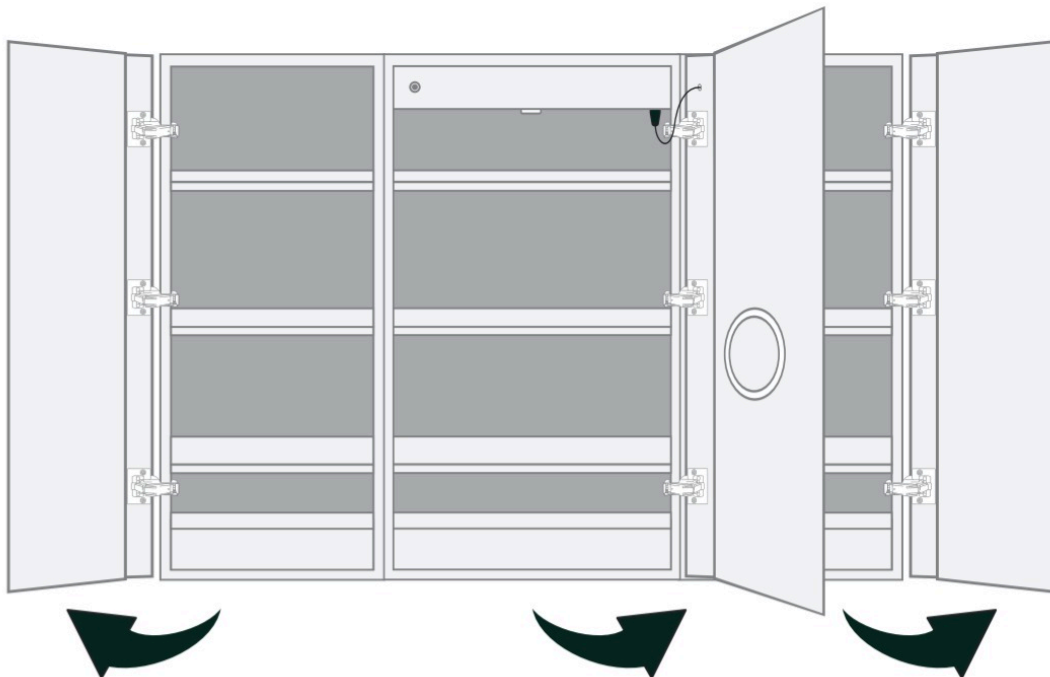
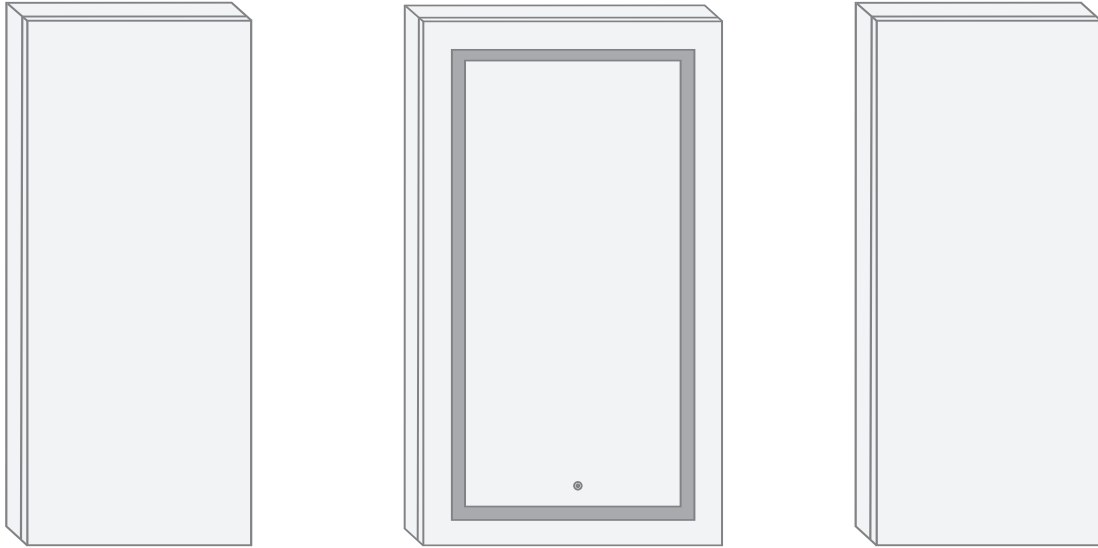
- SVANGE 6042LRR Swinging Doors
- Included models in this configuration:  
Cabinet 1=1842L Cabinet 2=2442R  
Cabinet 3=1842R

## Electrical System

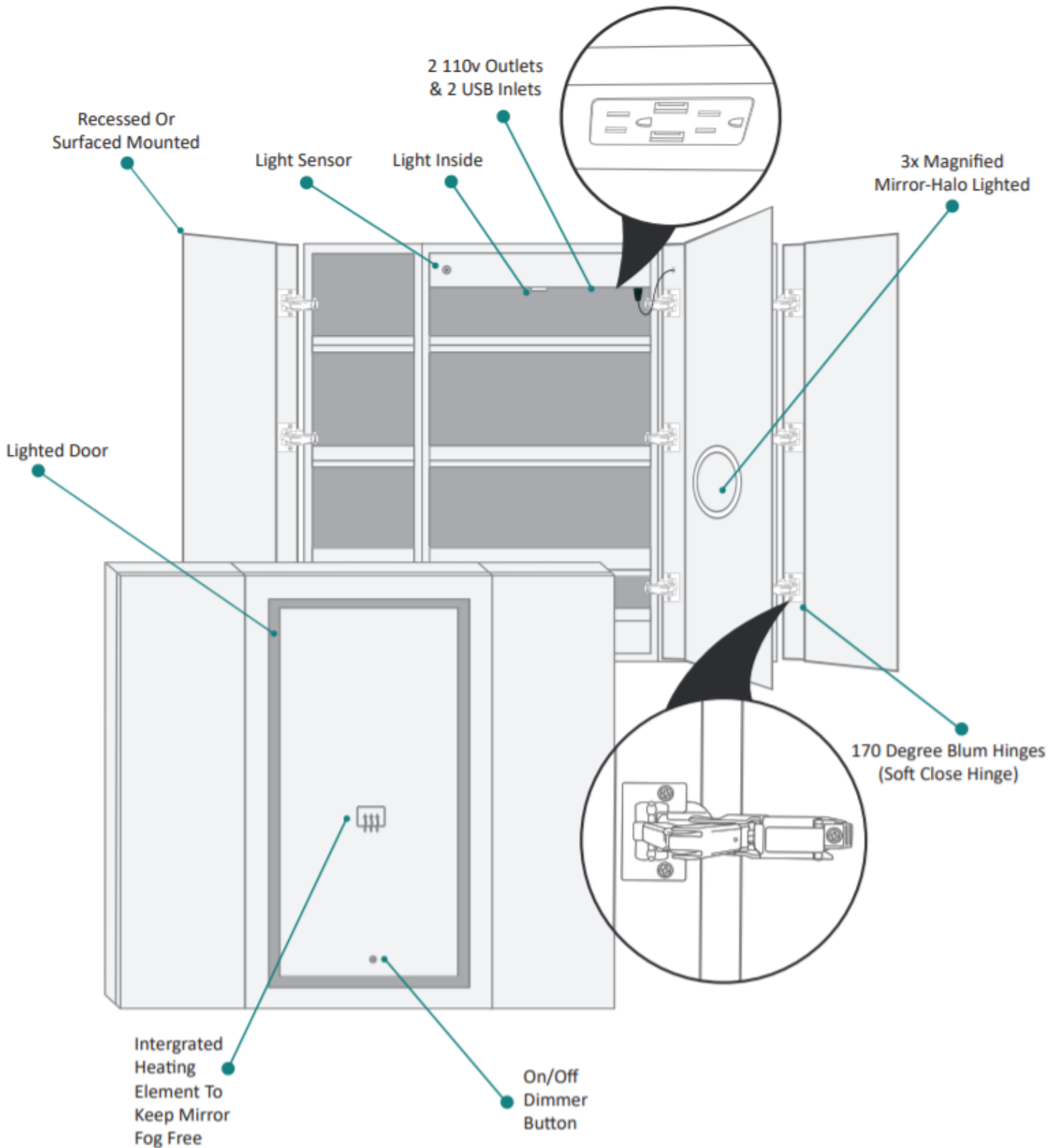
- Performance Requirments: Contains the required
- Supervisory Circiut with the Auto-Monitoring Function as noted by UL 1310
- Input Voltage: Min 112Vac, Nom 125Vac, Max 137Vac
- Frequency:60Hz
- Front Receptacle Current: 102-132Vac Nominal 15A
- USB Output Current:5VDC Nominal 4A

**CABINET CONFIGURATION**

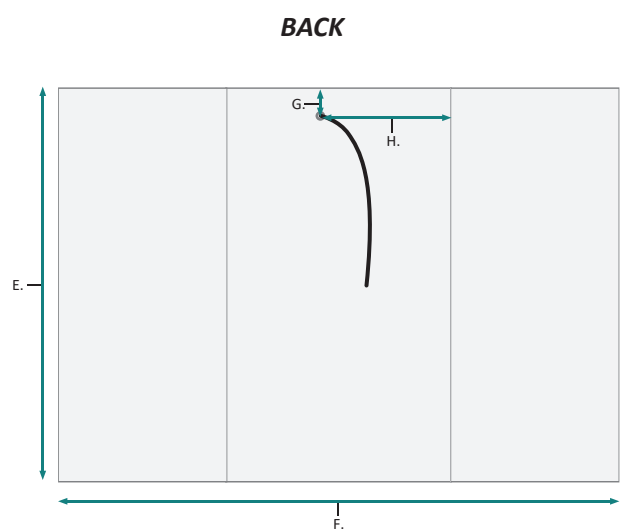
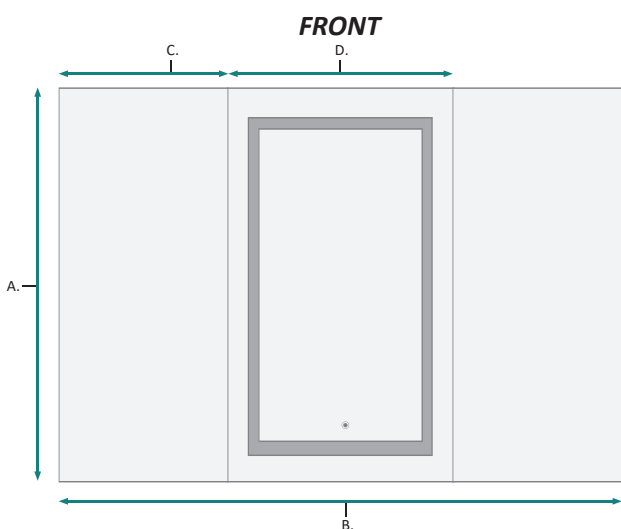
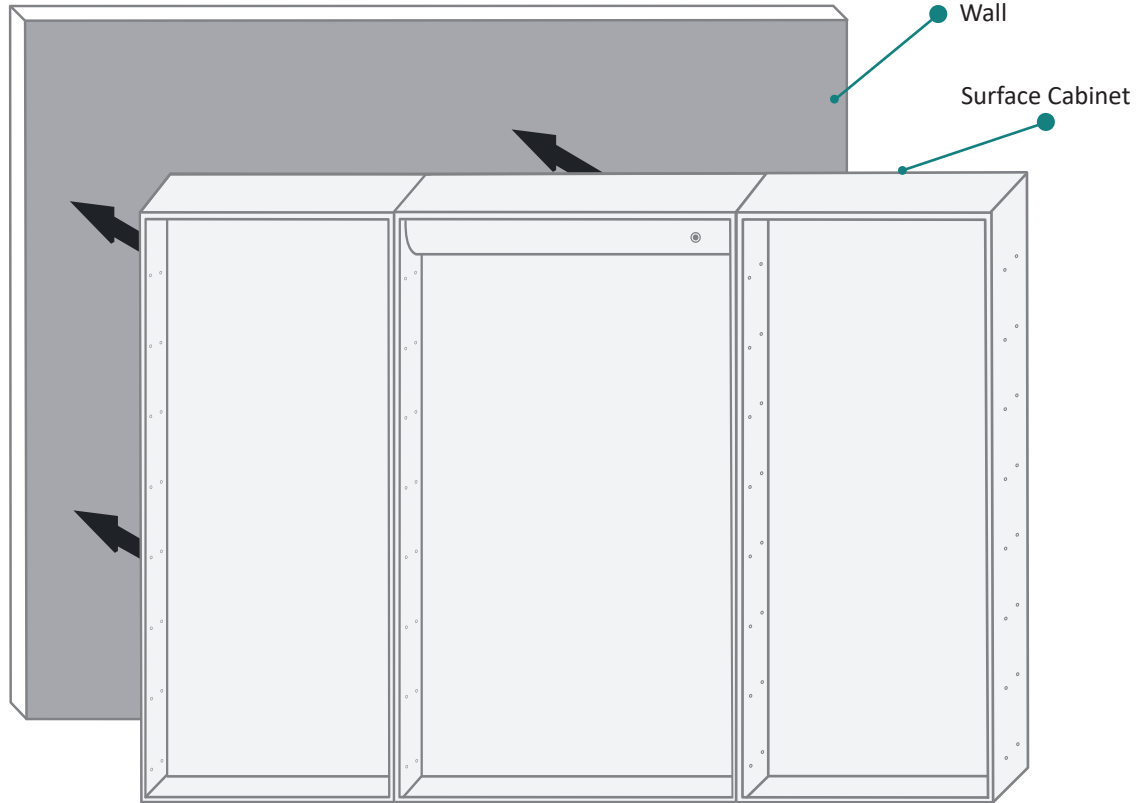
- Included models in this configuration:  
Cabinet 1 = 1842L   Cabinet 2=2442R   Cabinet 3=1842R



# SVANGE 6042LRR LED Medicine Cabinet - Specification Sheet



**SURFACE MOUNT**

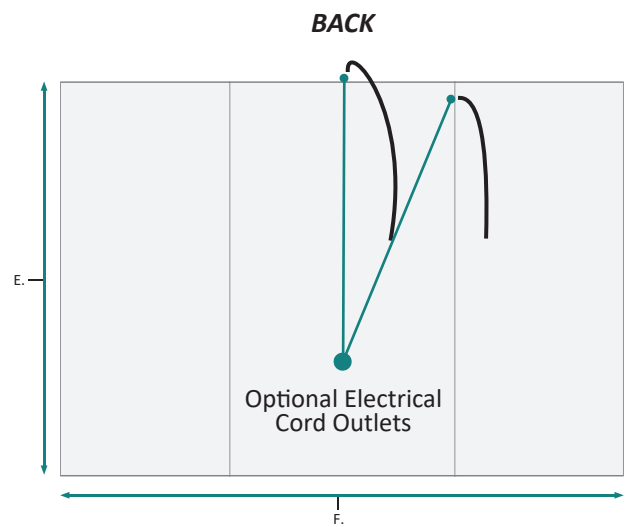
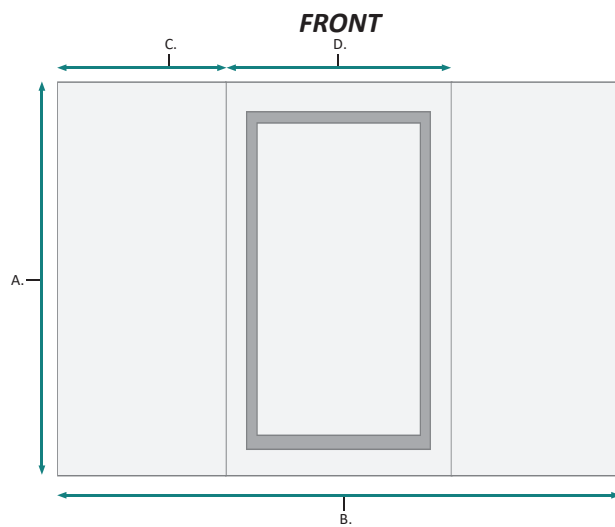
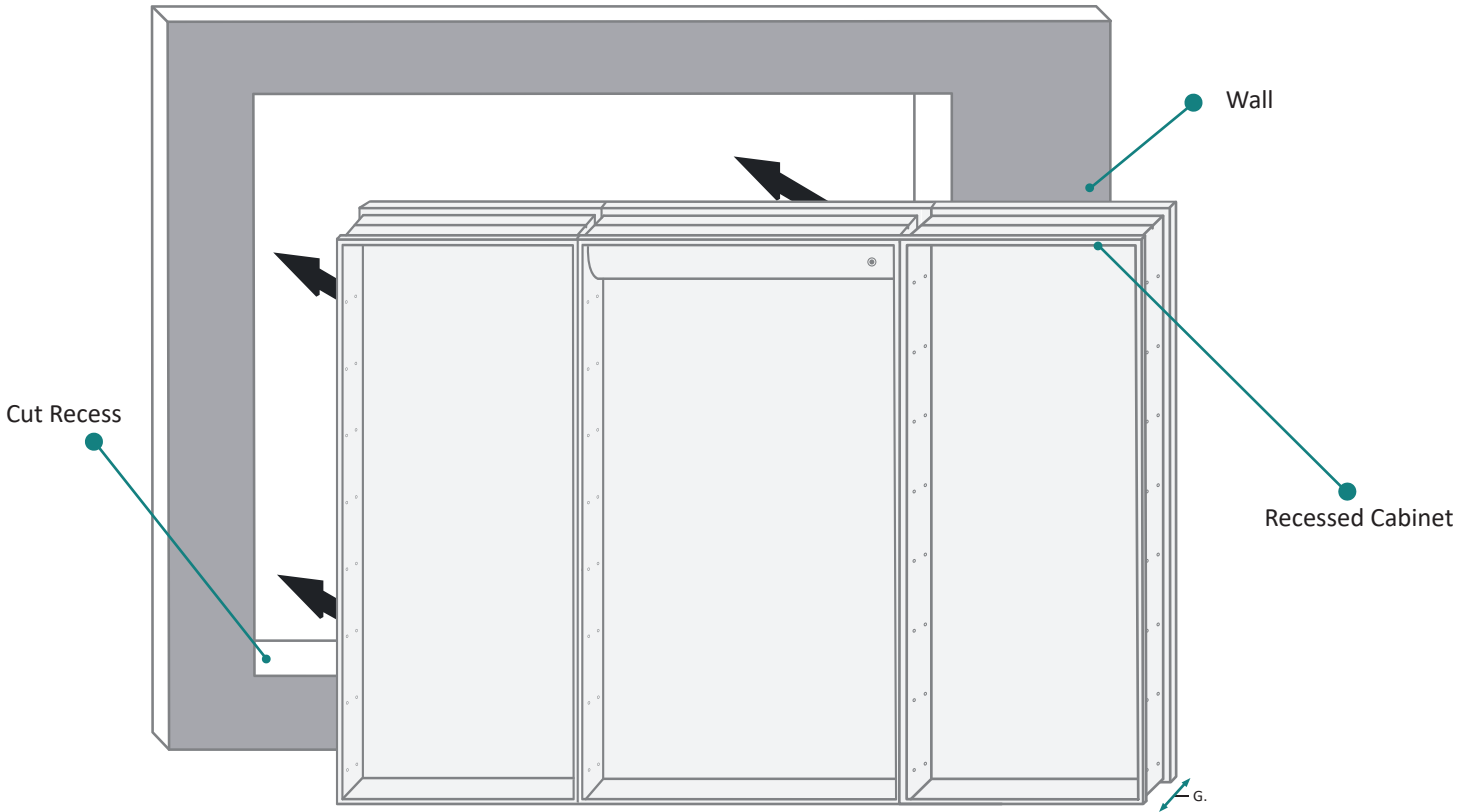


**FRONT & BACKS**

MODEL	A	B	C	D	E	F	G	H
SVANGE6042LRR	42	60	18	24	40-1/2	55-1/2	1-1/8	11-1/4

These measurements are for reference, for best results we suggest you measure actual product as small variations in size are possible

**RECESSED MOUNT**

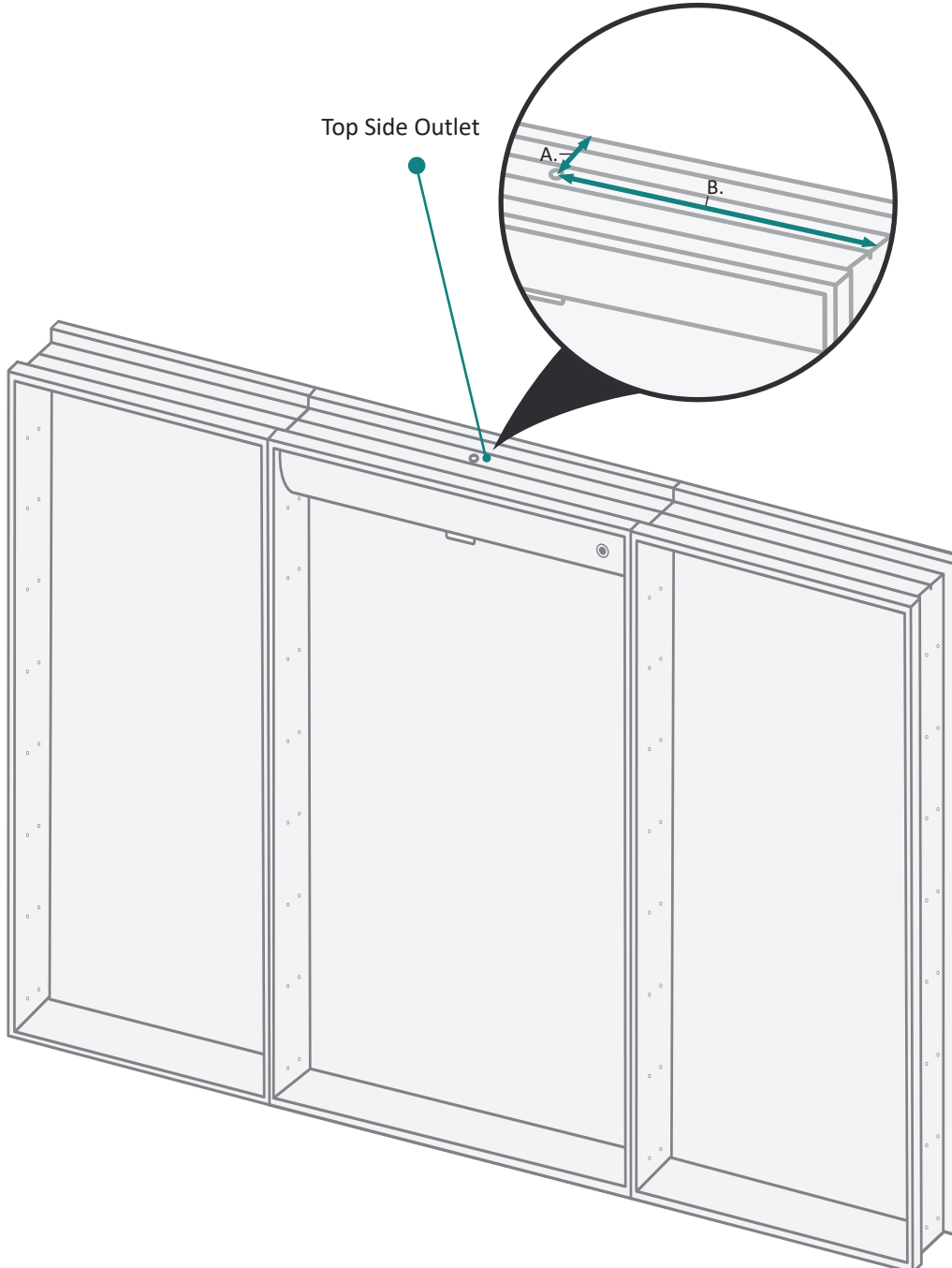


**FRONT & BACKS**

MODEL	A	B	C	D	E	F	G
SVANGE6042LRR	42	60	18	24	40-1/2	55-1/2	3-7/8

These measurements are for reference, for best results we suggest you measure actual product as small variations in size are possible

**RECESS INSTALLATION OPTIONAL ELECTRICAL CORD LOCATIONS**

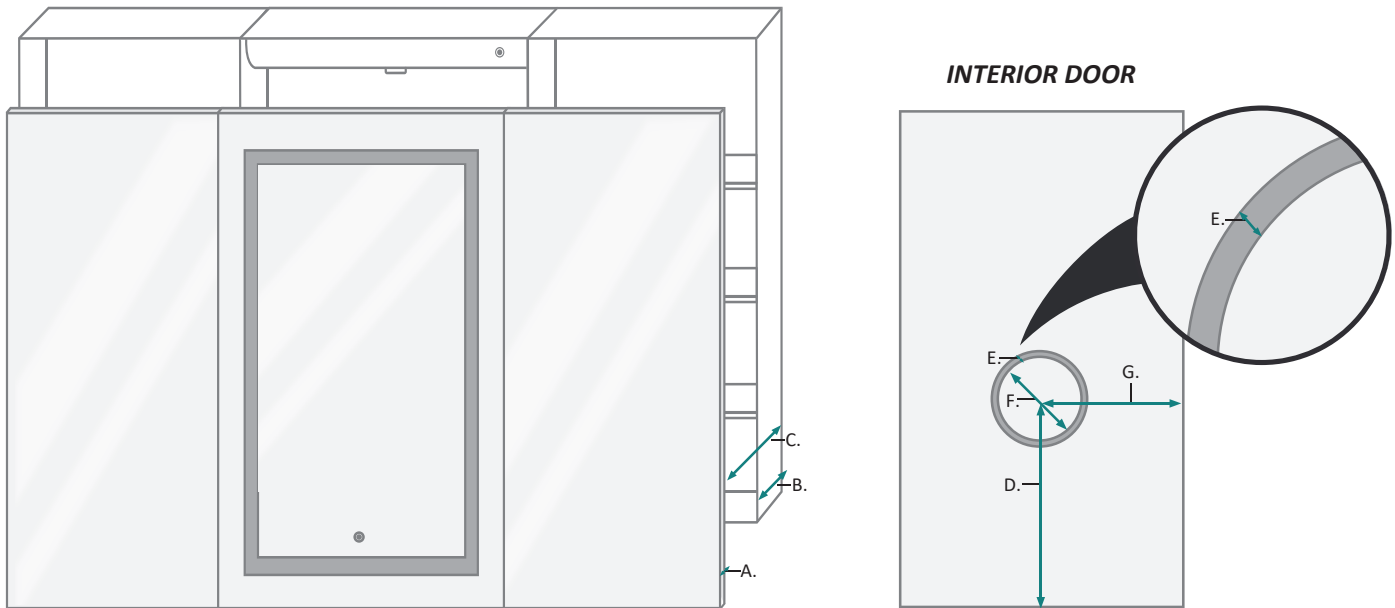


**ELECTRICAL CORD LOCATIONS**

MODEL	A	B
SVANGE6042LRR	1-3/8	11-1/4

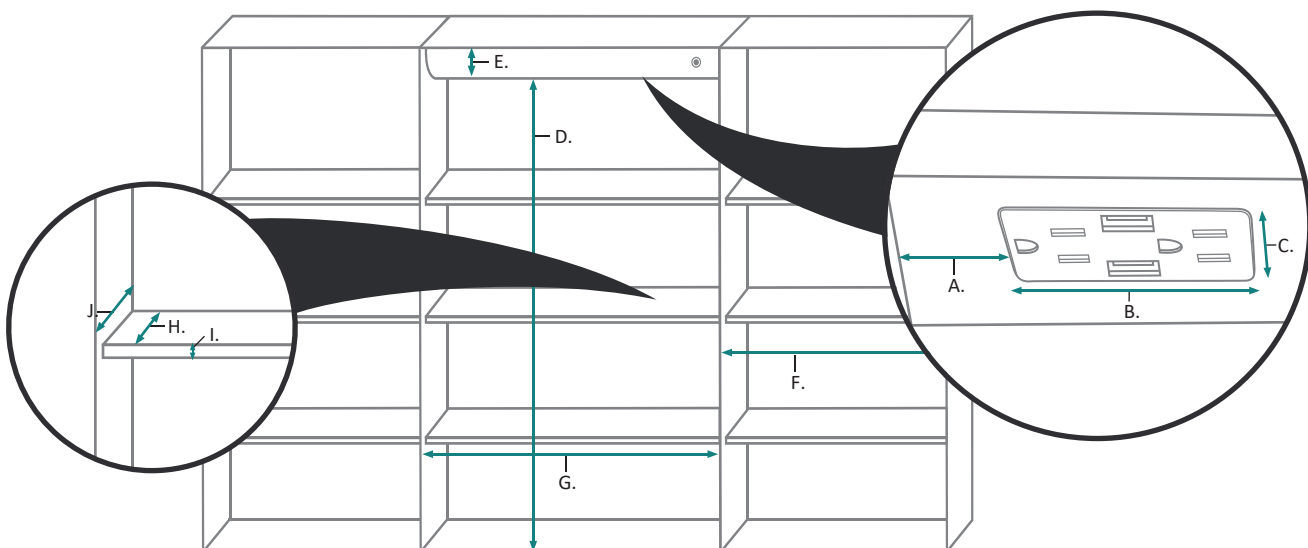
These measurements are for reference, for best results we suggest you measure actual product as small variations in size are possible

# SVANGE 6042LRR LED Medicine Cabinet - Specification Sheet



## DOOR & CABINET

MODEL	A	B	C	D	E	F	G
SVANGE6042LRR	7/8	3-7/8	4-3/4	18	3/8	5-1/4	11-1/4



## INTERIOR CABINET

MODEL	A	B	C	D	E	F	G	H	I	J
SVANGE6042LRR	3-3/4	5-5/8	1-1/4	32-1/4	2-1/4	16-1/2	22-1/2	2-3/8	3/8	3-5/8

These measurements are for reference, for best results we suggest you measure actual product as small variations in size are possible