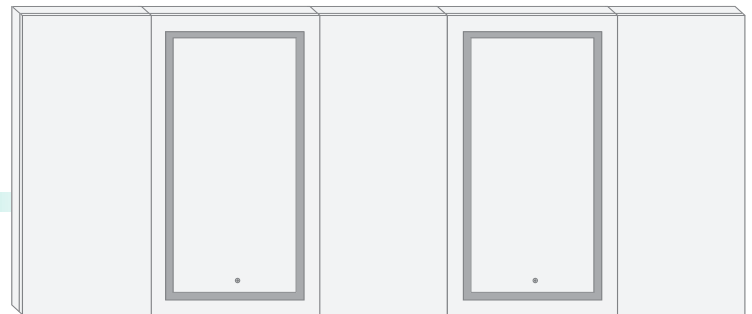


SVANGE 10242DLLRRR LED Medicine Cabinet - Specification Sheet

Features

- Dimmable LED task lighting
- Integrated touch sensor control with memory
- Energy efficient LED lighting 5000K
- 9000 Lumens
- CRI 90+
- Integrated Defogger



Construction

- Quality polished edge mirror
- Single phase wire installation
- 5 MM Silver Backed Copper Free
- Installation Either Surface Mount
- (Side Mirror Trim Panels included) or Recessed
- Includes installation hardware

Codes/Standards Applicable

- Conforms to UL Std. 962
- Cert. to CSA Std. C22.2 No.250.0-08
- ETL Intertek 5004931

Electrical System

- 120Vac, 60Hz, 55W
- Electric Current: 0.45A
- Wattage: 55W

Electrical System

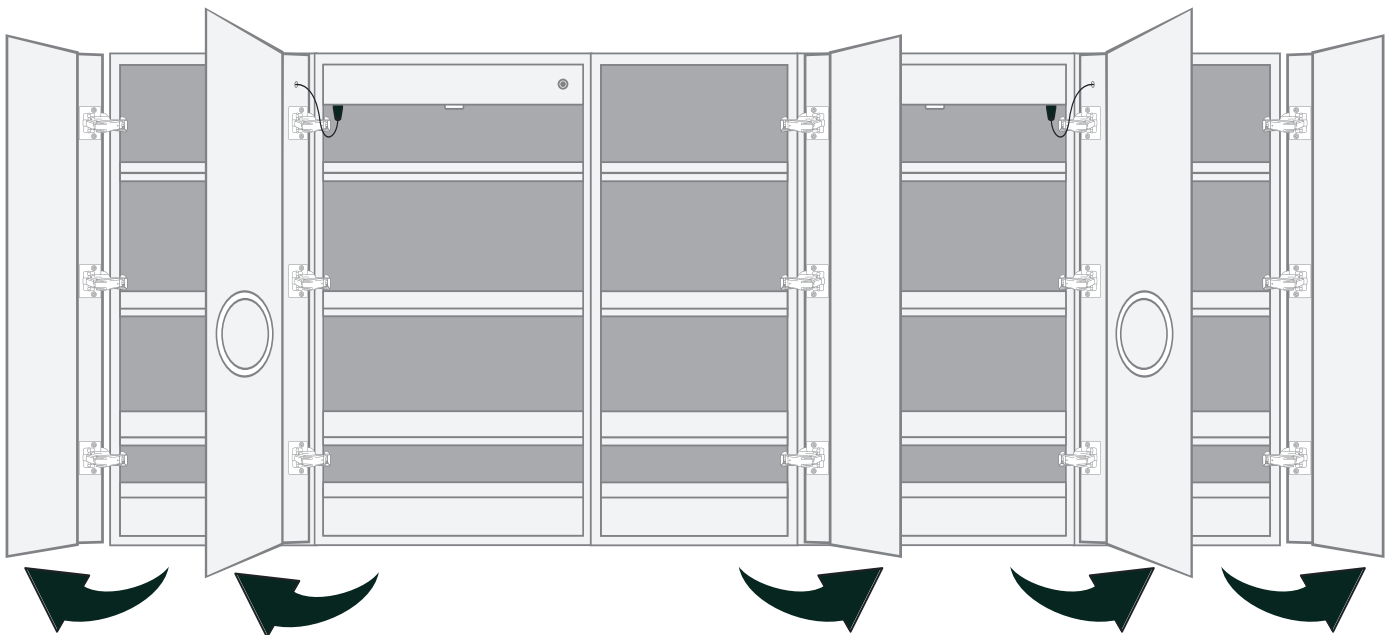
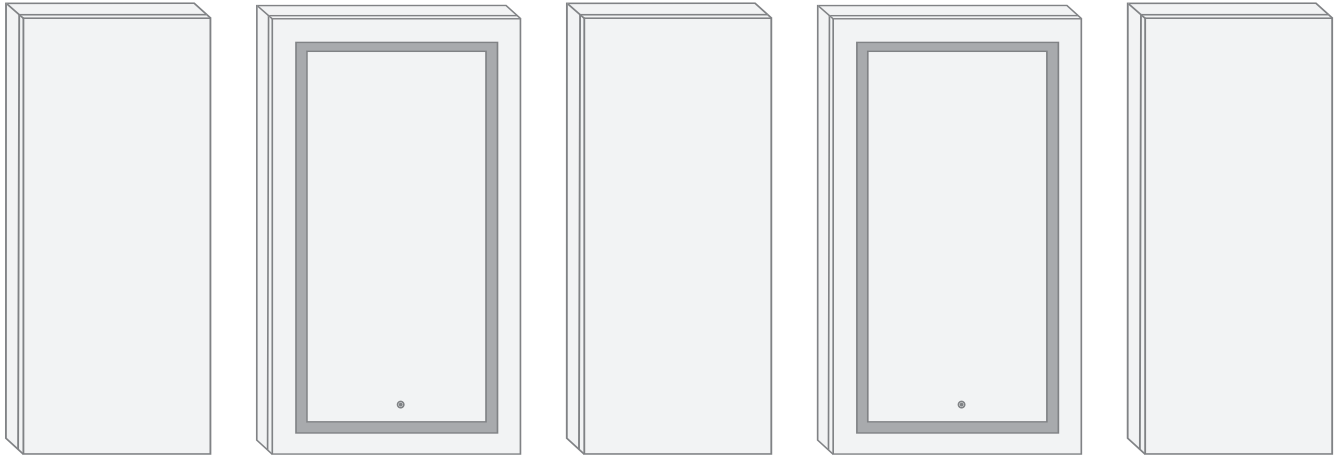
- Performance Requirments: Contains the required
- Supervisory Circiut with the Auto-Monitoring Function as noted by UL 1310
- Input Voltage: Min 112Vac, Nom 125Vac, Max 137Vac
- Frequency:60Hz
- Front Receptacle Current: 102-132Vac Nominal 15A
- USB Output Current:5VDC Nominal 4A

Model

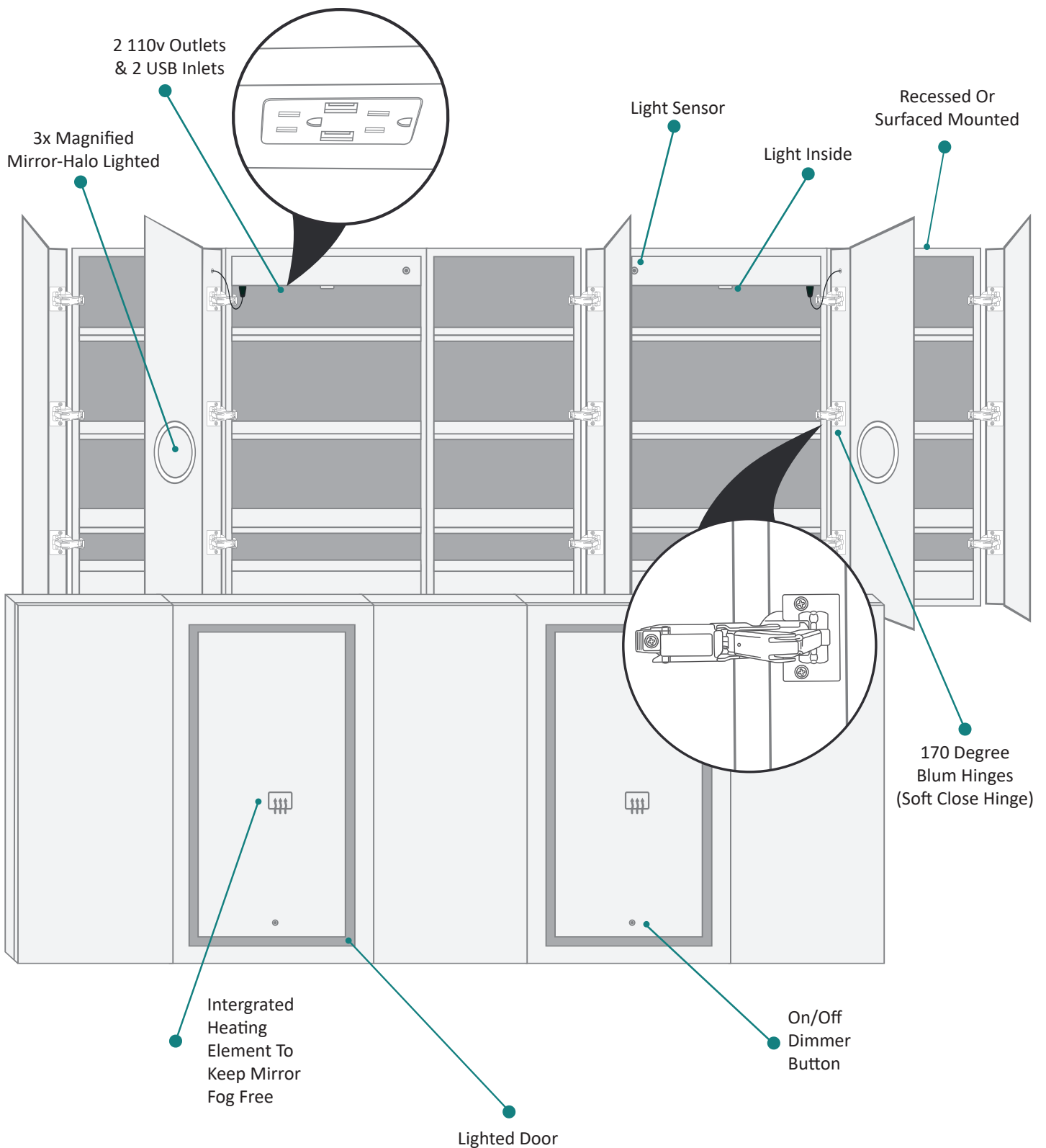
- SVANGE 10242DLLRRR Swinging Doors
- Included models in this configuration:
Cabinet 1=1842L Cabinet 2=2442L
Cabinet 3=1842R Cabinet 4=2442R
Cabinet 5=1842R

CABINET CONFIGURATION

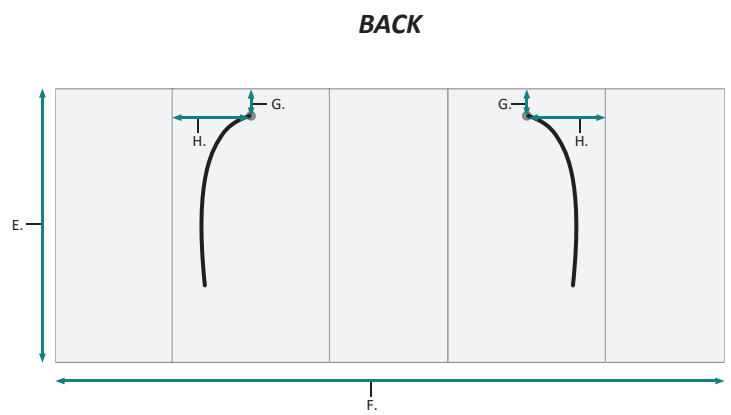
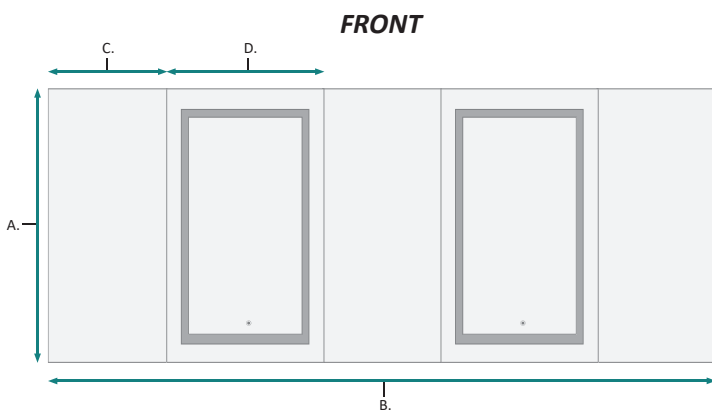
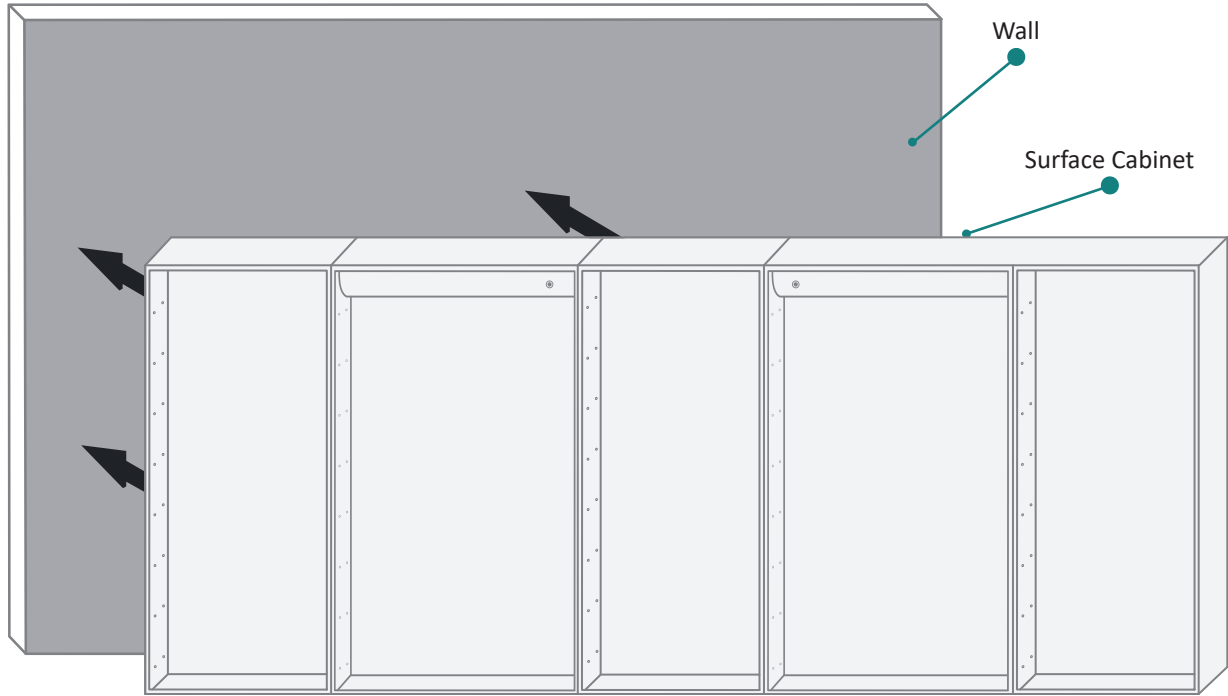
- Included models in this configuration:
Cabinet 1=1842L Cabinet 2=2442L Cabinet 3=1842R
Cabinet 4=2442R Cabinet 5=1842R



SVANGE 10242DLLRRR LED Medicine Cabinet - Specification Sheet



SURFACE MOUNT



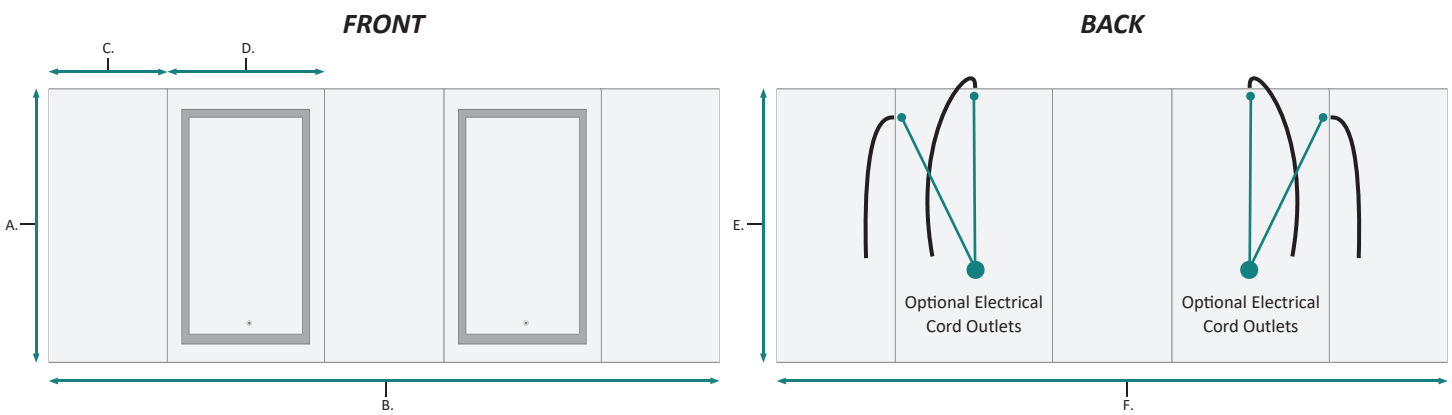
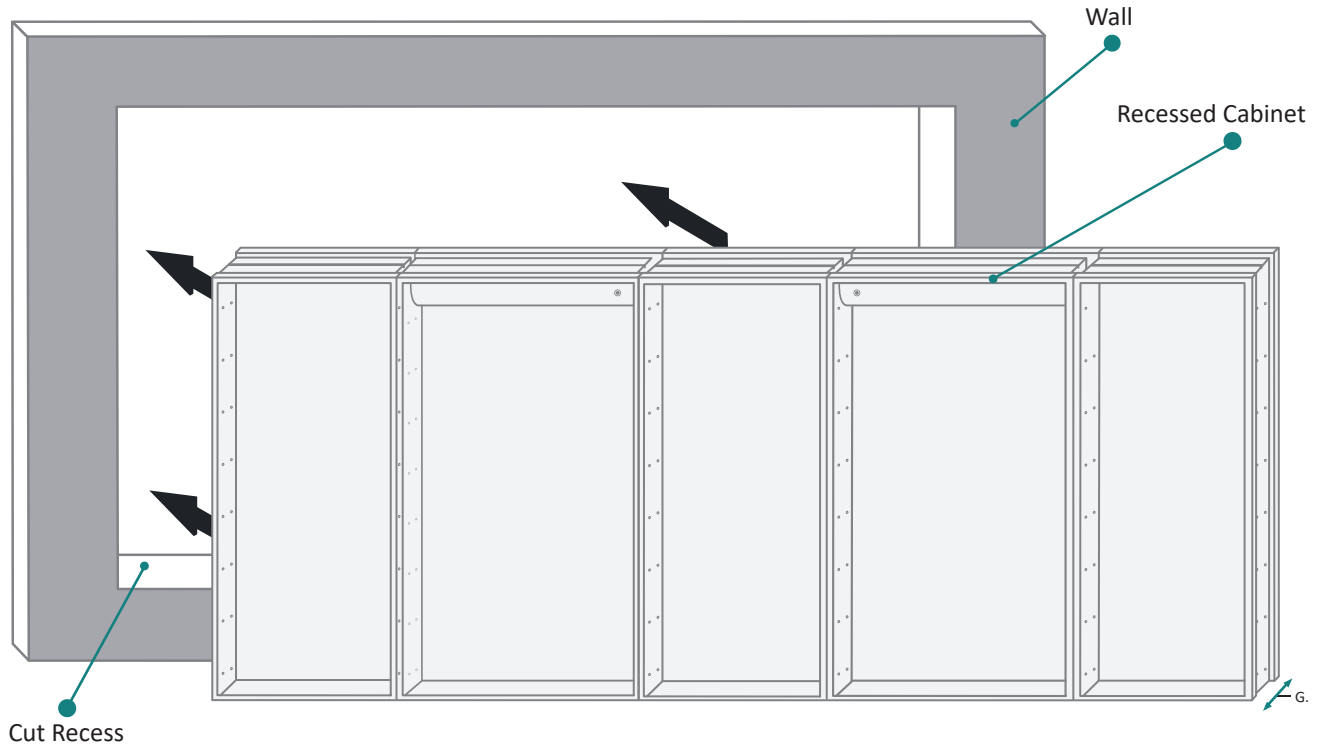
FRONT & BACKS

MODEL	A	B	C	D	E	F	G	H
SVANGE10242 DLLRRR	42	102	18	24	40-1/2	94-1/2	1-1/8	11-1/4

These measurements are for reference, for best results we suggest you measure actual product as small variations in size are possible

SVANGE 10242DLLRRR LED Medicine Cabinet - Specification Sheet

RECESSED MOUNT

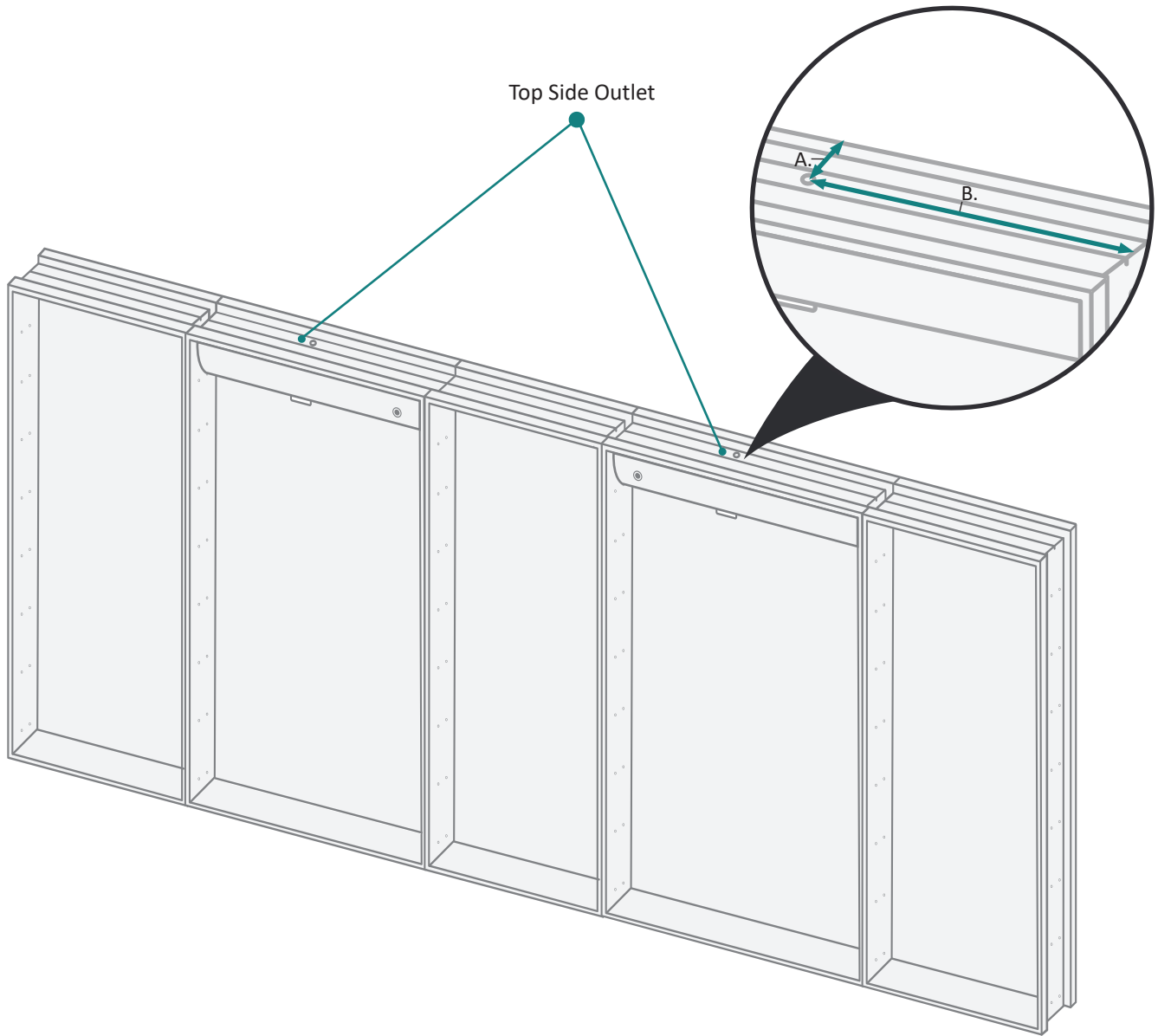


FRONT & BACKS

MODEL	A	B	C	D	E	F	G
SVANGE10242 DLLRRR	42	102	18	24	40-1/2	94-1/2	3-7/8

These measurements are for reference, for best results we suggest you measure actual product as small variations in size are possible

RECESS INSTALLATION OPTIONAL ELECTRICAL CORD LOCATIONS

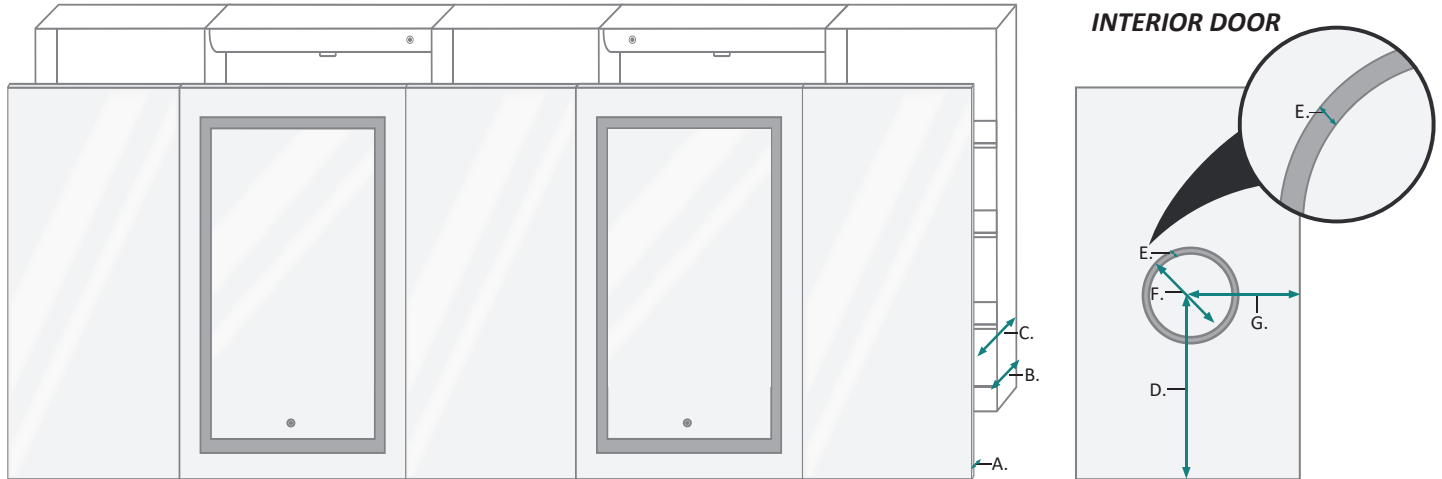


ELECTRICAL CORD LOCATIONS

MODEL	A	B
SVANGE10242 DLLRRR	1-3/8	11-1/4

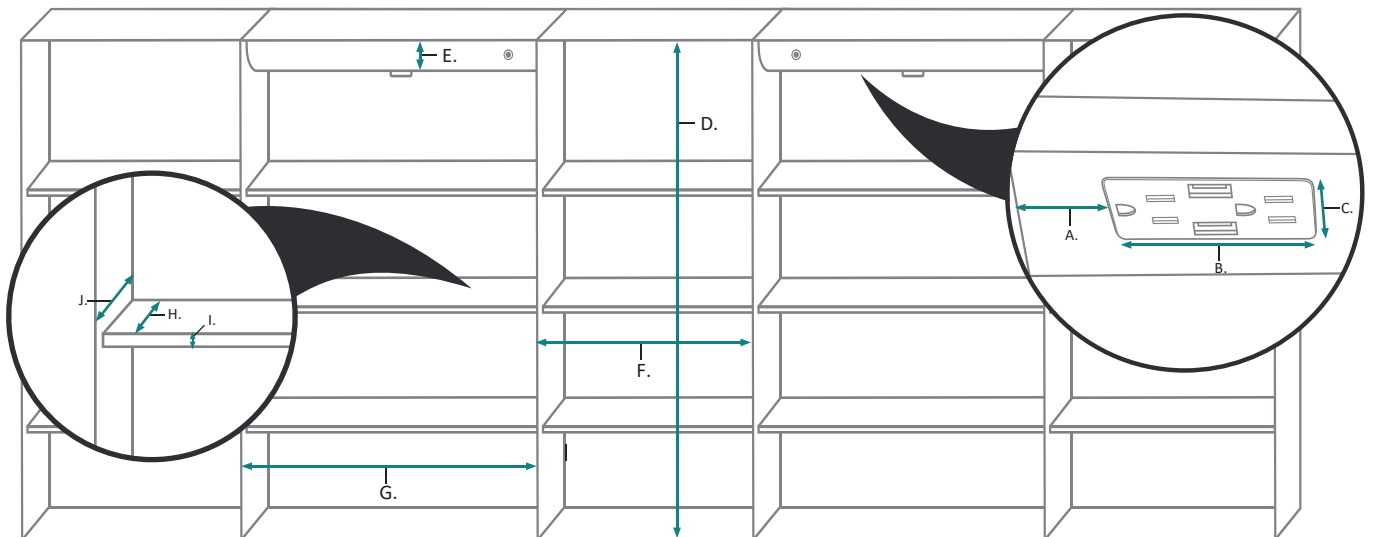
These measurements are for reference, for best results we suggest you measure actual product as small variations in size are possible

SVANGE 10242DLLRRR LED Medicine Cabinet - Specification Sheet



DOOR & CABINET

MODEL	A	B	C	D	E	F	G
SVANGE10242 DLLRRR	7/8	3-7/8	4-3/4	18	3/8	5-1/4	11-1/4



INTERIOR CABINET

MODEL	A	B	C	D	E	F	G	H	I	J
SVANGE10242 DLLRRR	3-3/4	5-5/8	1-1/4	40-1/2	2-1/4	16-1/2	22-1/2	2-3/8	3/8	3-5/8

These measurements are for reference, for best results we suggest you measure actual product as small variations in size are possible