

SVANGE 7242TLRR LED Medicine Cabinet - Specification Sheet

Features

- Dimmable LED task lighting
- Integrated touch sensor control with memory
- Energy efficient LED lighting 5000K
- 12400 Lumens
- CRI 90+
- Integrated Defogger

Construction

- Quality polished edge mirror
- Single phase wire installation
- 5 MM Silver Backed Copper Free
- Installation Either Surface Mount
- (Side Mirror Trim Panels included) or Recessed
- Includes installation hardware



Codes/Standards Applicable

- Conforms to UL Std. 962
- Cert. to CSA Std. C22.2 No.250.0-08
- ETL Intertek 5004931

Electrical System

- 120Vac, 60Hz, 55W
- Electric Current: 0.45A
- Wattage: 55W

Model

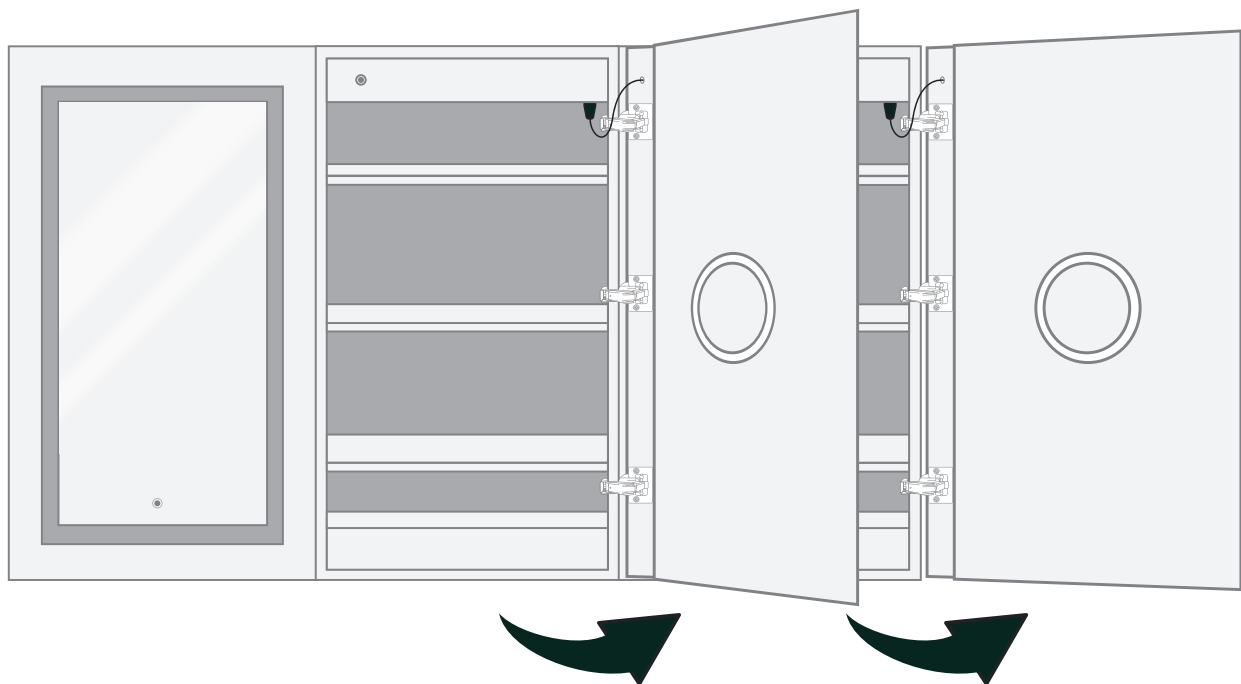
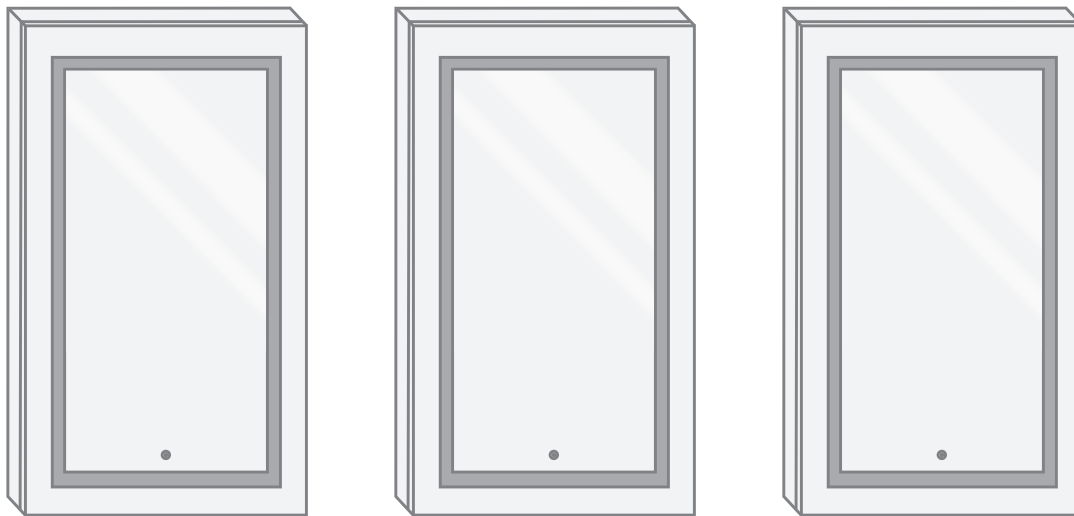
- SVANGE 7242TLRR Swinging Door
- Included models in this configuration:
Cabinet 1=2442L Cabinet 3=2442R
Cabinet 2=2442R

Electrical System

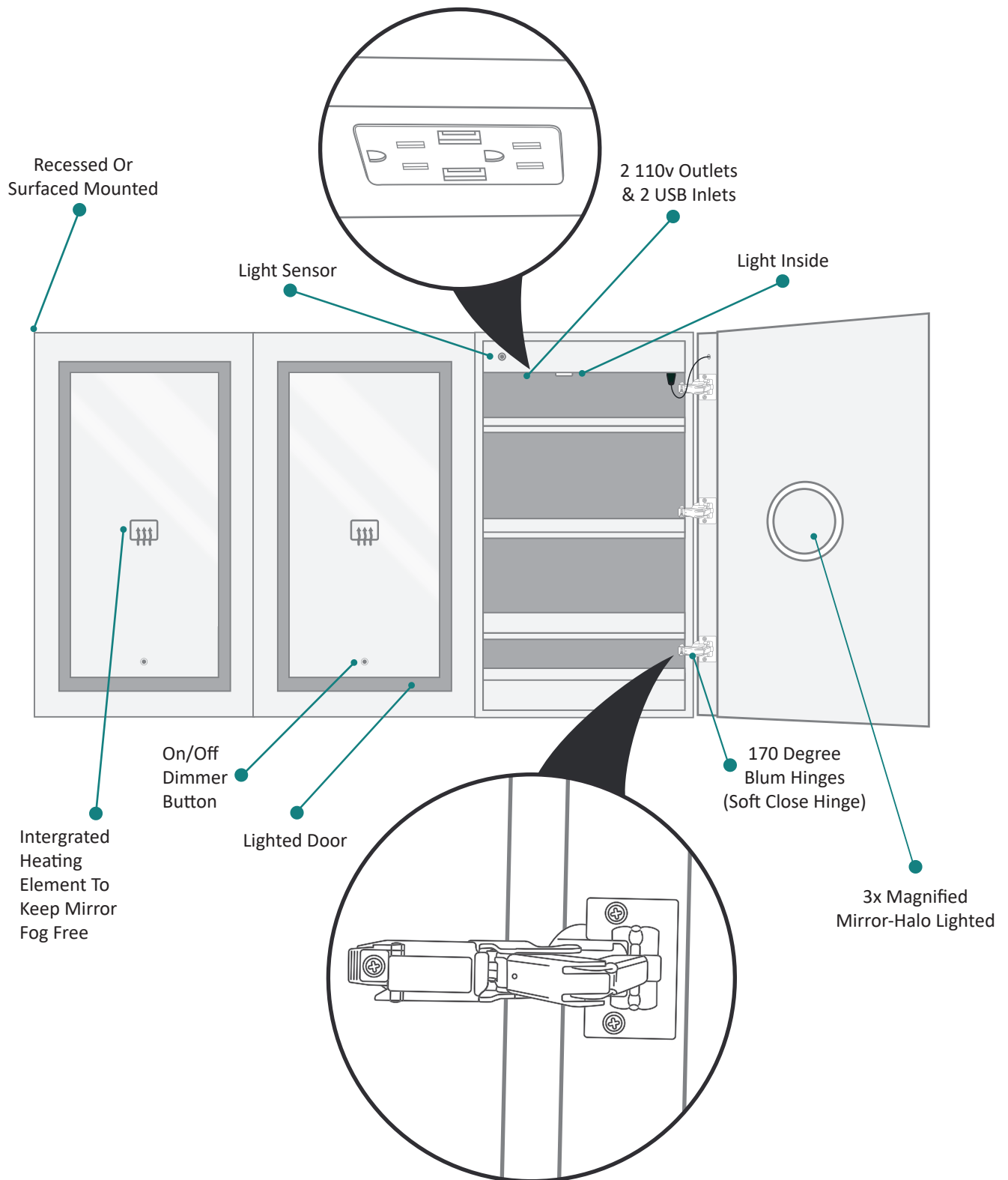
- Performance Requirments: Contains the required
- Supervisory Circiut with the Auto-Monitoring Function as noted by UL 1310
- Input Voltage: Min 112Vac, Nom 125Vac, Max 137Vac
- Frequency:60Hz
- Front Receptacle Current: 102-132Vac Nominal 15A
- USB Output Current:5VDC Nominal 4A

CABINET CONFIGURATION

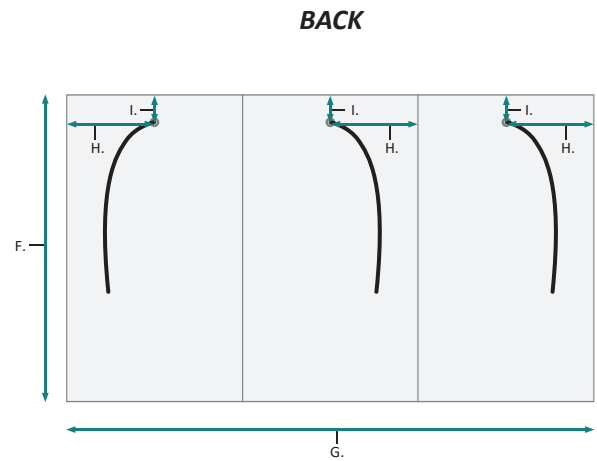
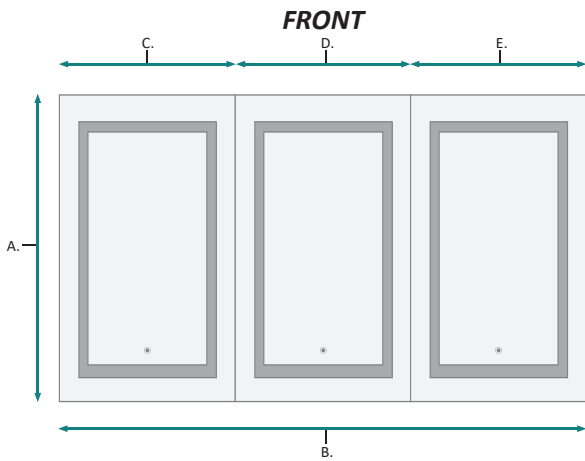
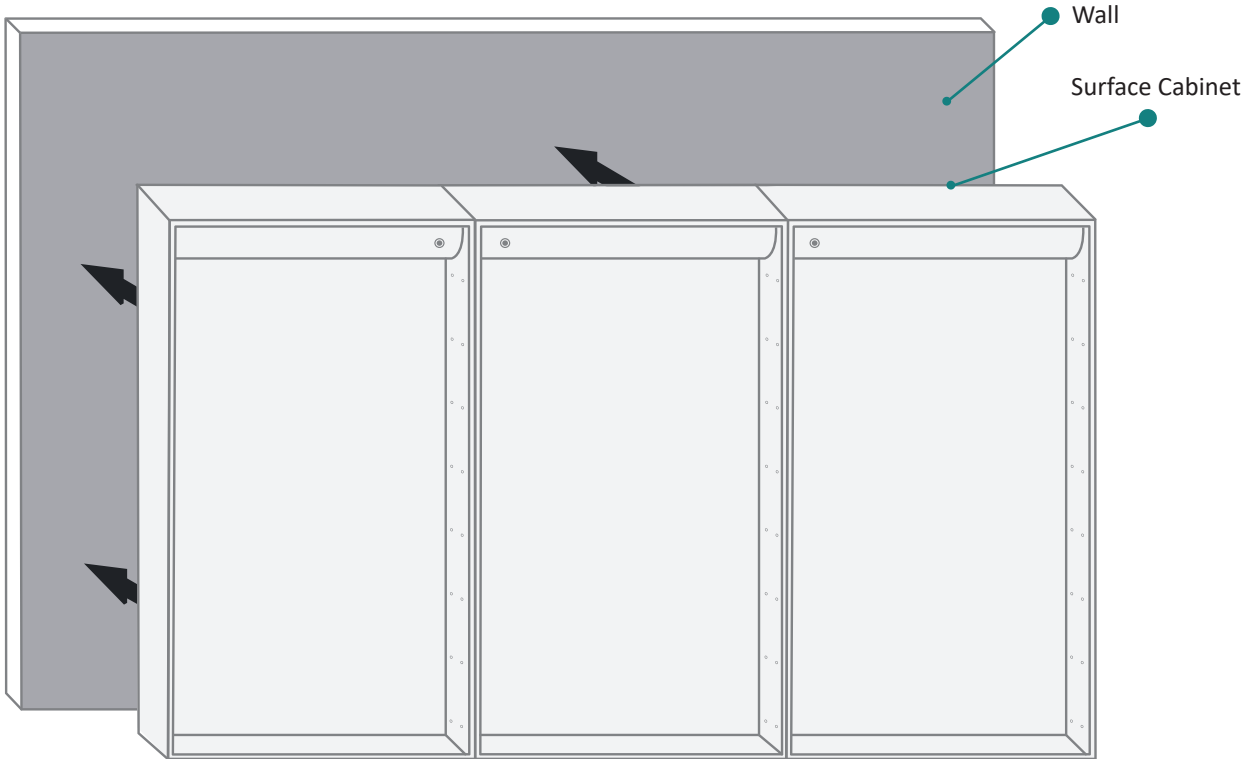
- Included models in this configuration:
Cabinet 1 = 2442L Cabinet 2 = 2442R Cabinet 3 = 2442R



SVANGE 7242TLRR LED Medicine Cabinet - Specification Sheet



SURFACE MOUNT



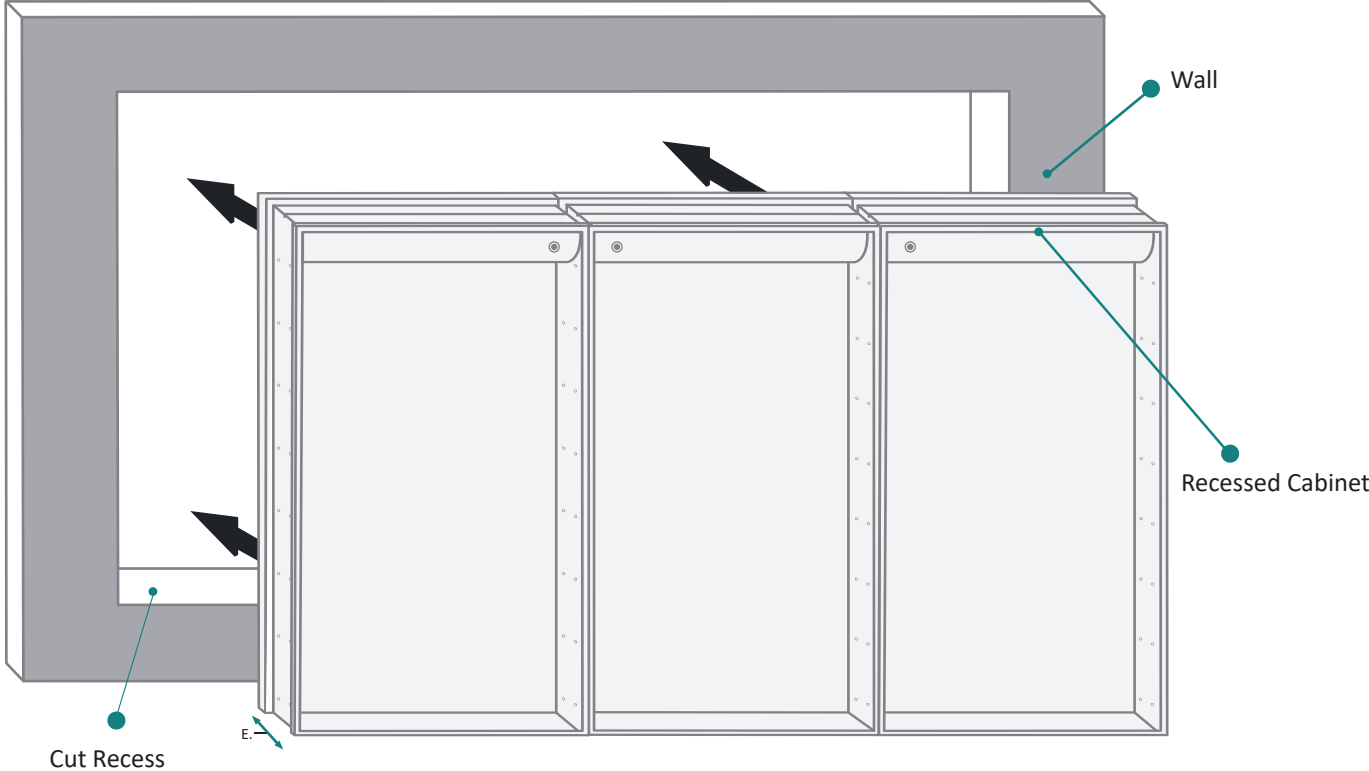
FRONT & BACKS

MODEL	A	B	C	D	E	F	G	H	I
SVANGE 7242TLRR	42	72	24	24	24	40-1/2	67-1/2	11-1/4	1-1/8

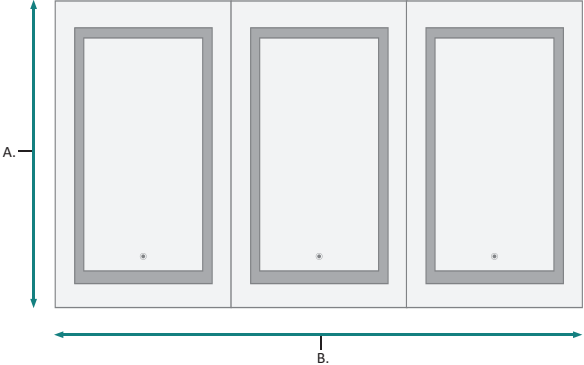
These measurements are for reference, for best results we suggest you measure actual product as small variations in size are possible

SVANGE 7242TLRR LED Medicine Cabinet - Specification Sheet

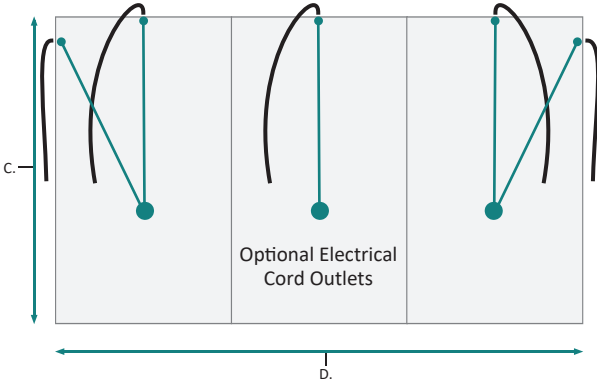
RECESSED MOUNT



FRONT



BACK

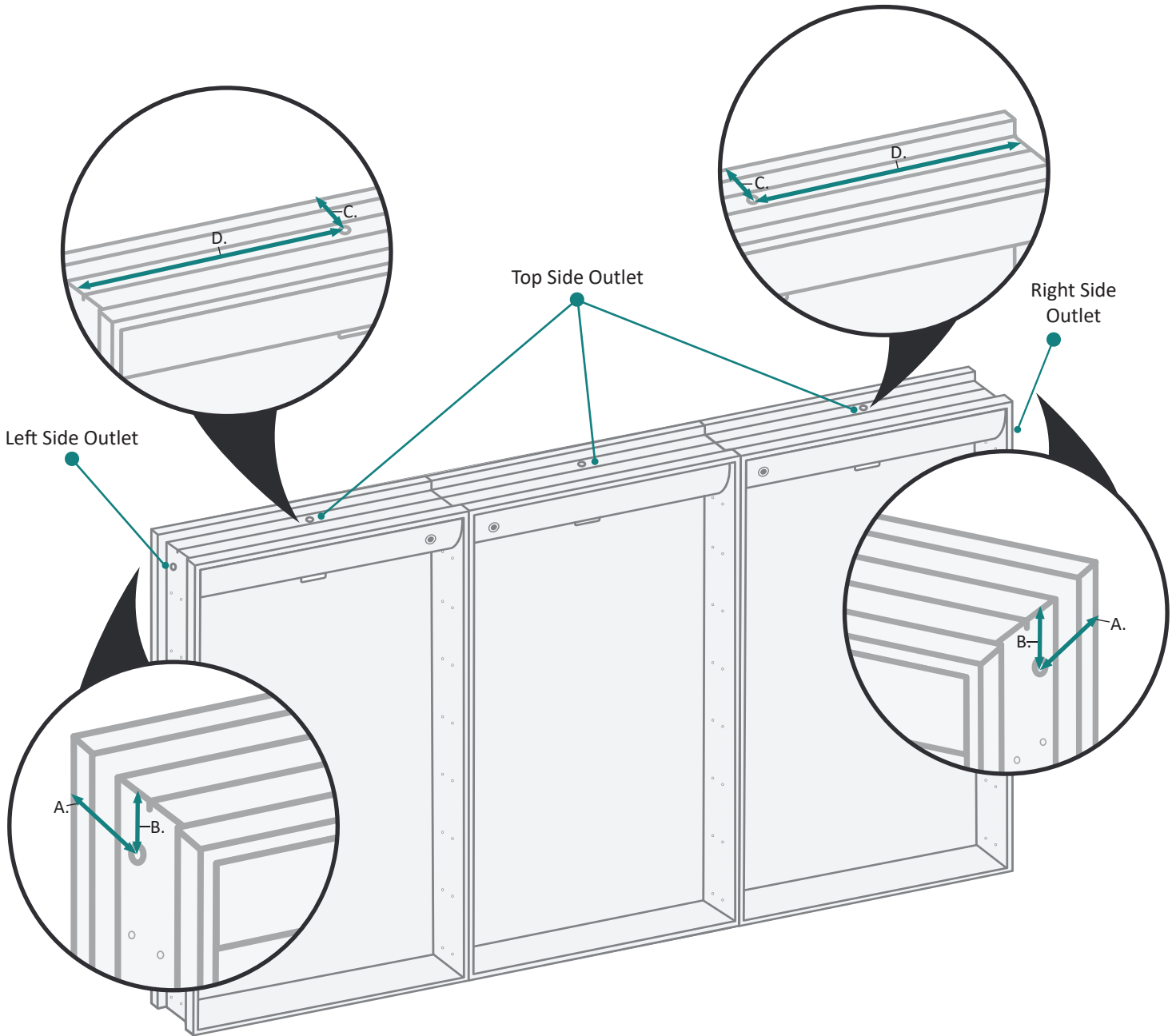


FRONT & BACKS

MODEL	A	B	C	D	E
SVANGE 7242TLRR	42	72	40-1/2	67-1/2	3-7/8

These measurements are for reference, for best results we suggest you measure actual product as small variations in size are possible

RECESS INSTALLATION OPTIONAL ELECTRICAL CORD LOCATIONS

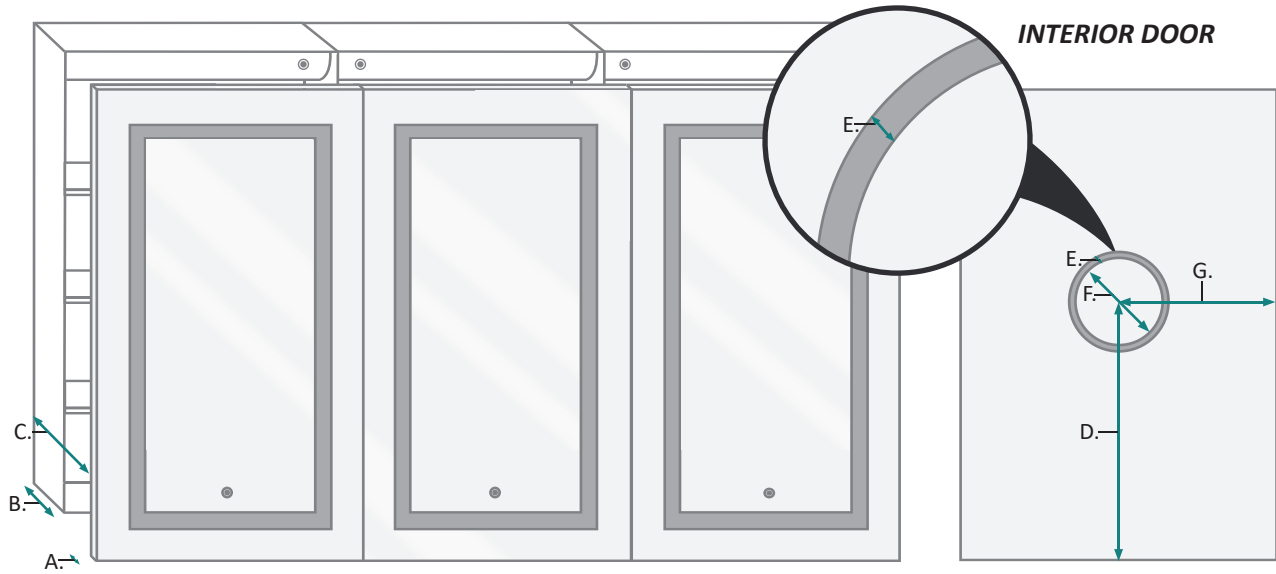


ELECTRICAL CORD LOCATIONS

MODEL	A	B	C	D
SVANGE 7242TLRR	1-1/2	1-1/8	1-3/8	11-1/4

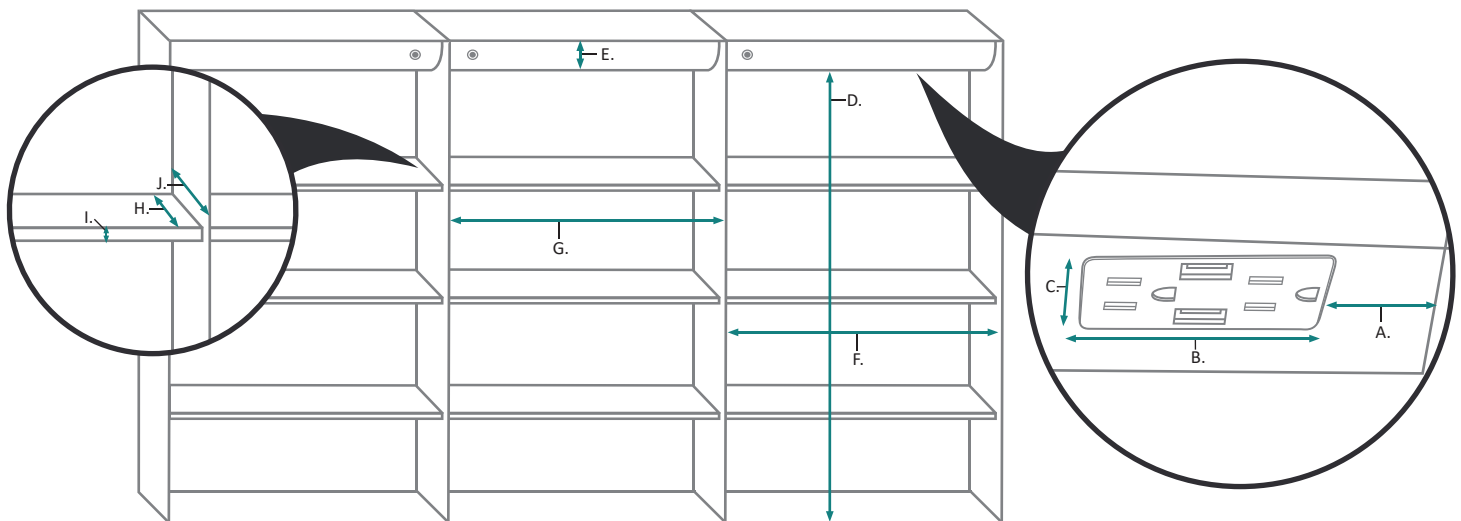
These measurements are for reference, for best results we suggest you measure actual product as small variations in size are possible

SVANGE 7242TLRR LED Medicine Cabinet - Specification Sheet



DOOR & CABINET

MODEL	A	B	C	D	E	F	G
SVANGE 7242TLRR	7/8	3-7/8	3-3/4	18	3/8	5-1/4	11-1/4



INTERIOR CABINET

MODEL	A	B	C	D	E	F	G	H	I	J
SVANGE 7242TLRR	3-3/4	5-5/8	1-1/4	38-1/4	2-1/4	22-1/2	22-1/2	2-3/8	3/8	3-5/8

These measurements are for reference, for best results we suggest you measure actual product as small variations in size are possible