

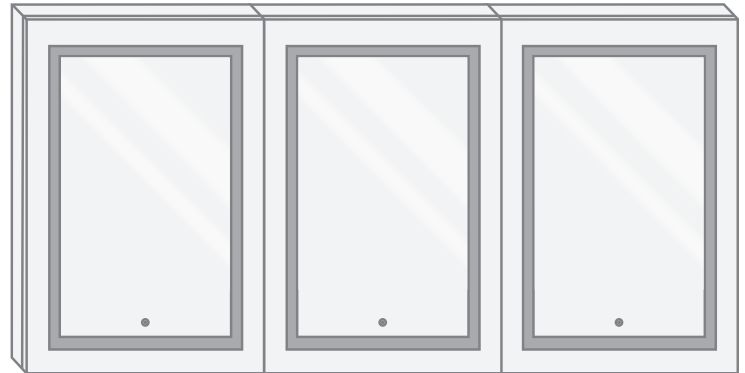
SVANGE 7236TLLR LED Medicine Cabinet - Specification Sheet

Features

- Dimmable LED task lighting
- Integrated touch sensor control with memory
- Energy efficient LED lighting 5000K
- 11160 Lumens
- CRI 90+
- Integrated Defogger

Construction

- Quality polished edge mirror
- Single phase wire installation
- 5 MM Silver Backed Copper Free
- Installation Either Surface Mount
- (Side Mirror Trim Panels included) or Recessed
- Includes installation hardware



Codes/Standards Applicable

- Conforms to UL Std. 962
- Cert. to CSA Std. C22.2 No.250.0-08
- ETL Intertek 5004931

Electrical System

- 120Vac, 60Hz, 55W
- Electric Current: 0.45A
- Wattage: 55W

Model

- SVANGE 7236TLLR Swinging Door
- Included models in this configuration:
Cabinet 1=2436L Cabinet 3=2436R
Cabinet 2=2436L

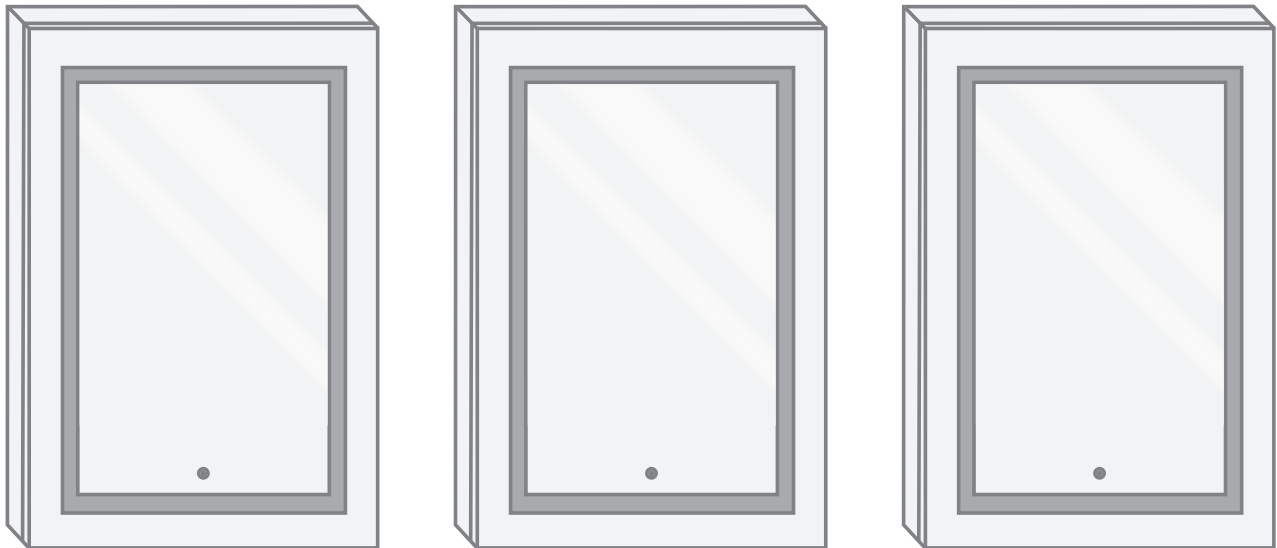
Electrical System

- Performance Requirements: Contains the required
- Supervisory Circuit with the Auto-Monitoring Function as noted by UL 1310
- Input Voltage: Min 112Vac, Nom 125Vac, Max 137Vac
- Frequency: 60Hz
- Front Receptacle Current: 102-132Vac Nominal 15A
- USB Output Current: 5VDC Nominal 4A

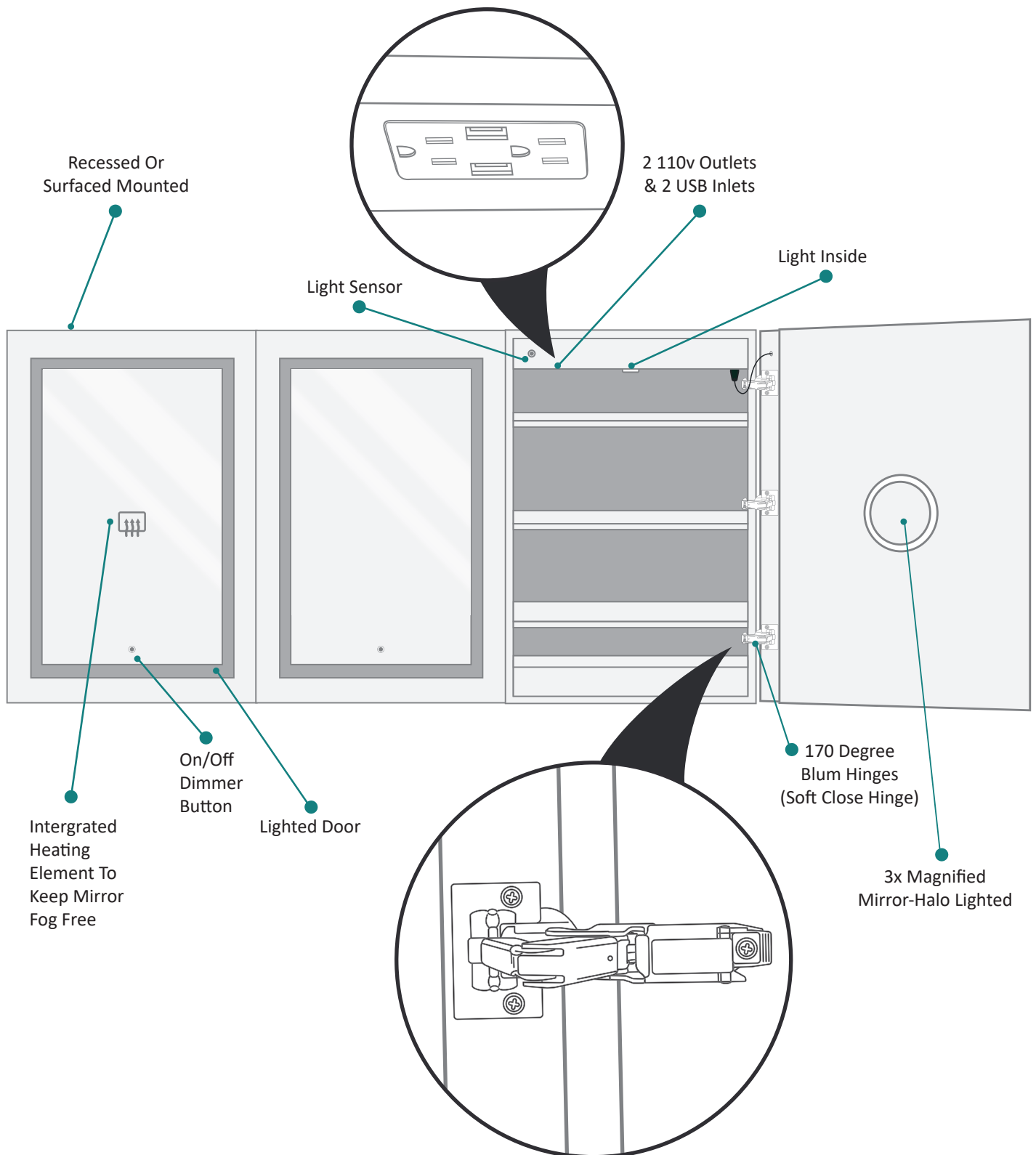
SVANGE 7236TLLR LED Medicine Cabinet - Specification Sheet

CABINET CONFIGURATION

- Included models in this configuration:
Cabinet 1 = 2436L Cabinet 2 = 2436L Cabinet 3 = 2436R

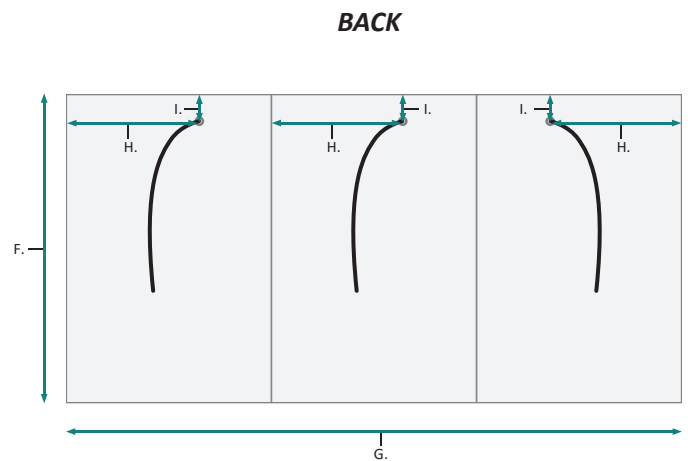
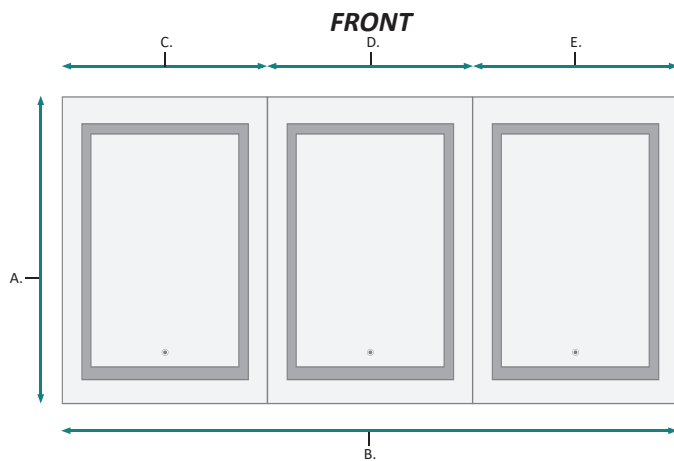
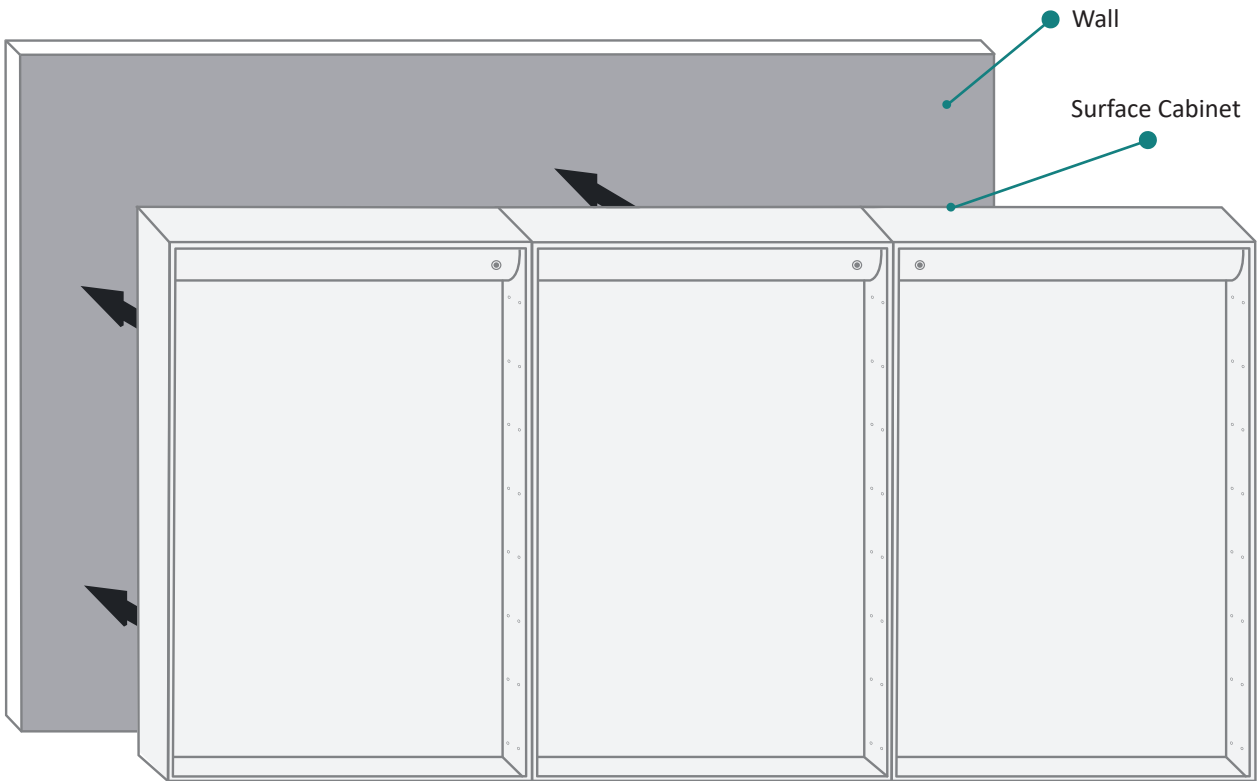


SVANGE 7236TLLR LED Medicine Cabinet - Specification Sheet



SVANGE 7236TLLR LED Medicine Cabinet - Specification Sheet

SURFACE MOUNT



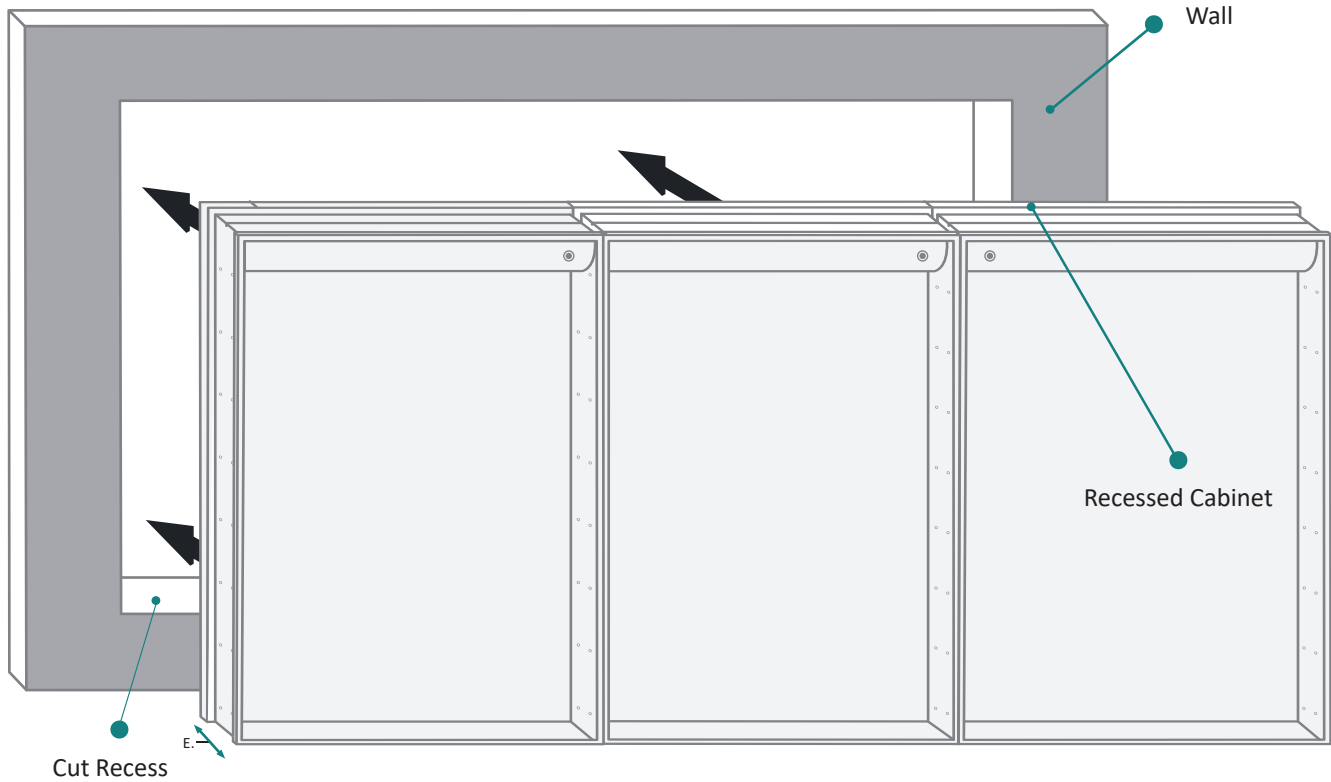
FRONT & BACKS

MODEL	A	B	C	D	E	F	G	H	I
SVANGE 7236TLLR	36	72	24	24	24	34-1/2	67-1/2	11-1/4	1-1/8

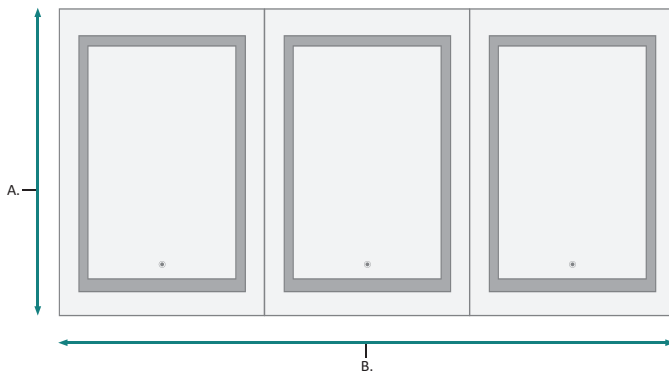
These measurements are for reference, for best results we suggest you measure actual product as small variations in size are possible

SVANGE 7236TLLR LED Medicine Cabinet - Specification Sheet

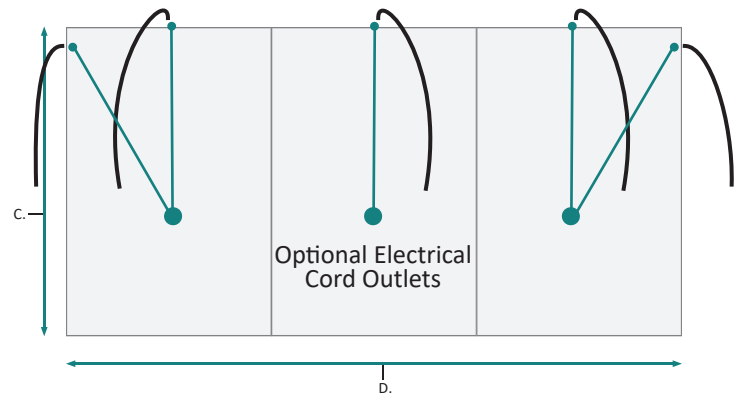
RECESSED MOUNT



FRONT



BACK



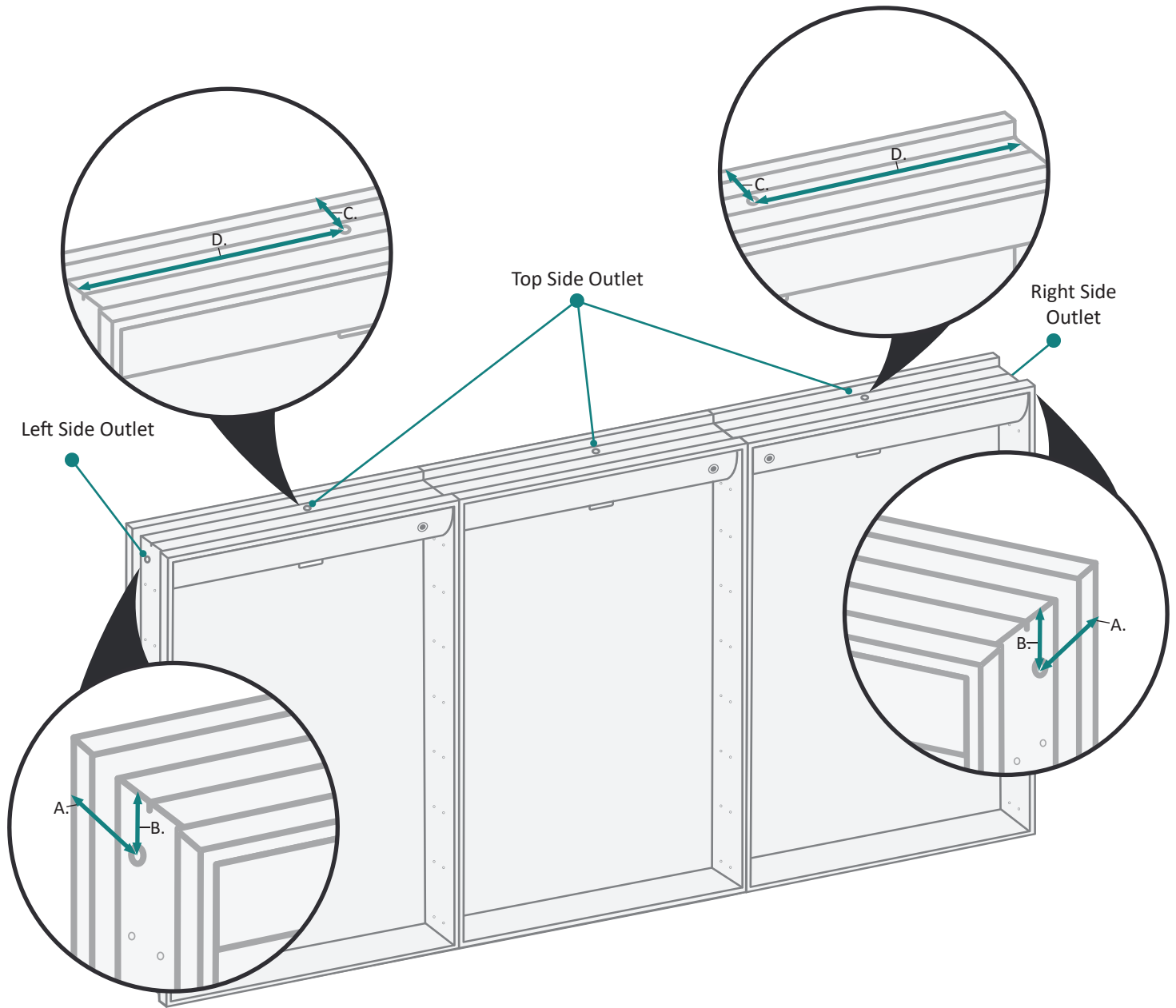
FRONT & BACKS

MODEL	A	B	C	D	E
SVANGE 7236TLLR	36	72	34-1/2	67-1/2	3-7/8

These measurements are for reference, for best results we suggest you measure actual product as small variations in size are possible

SVANGE 7236TLLR LED Medicine Cabinet - Specification Sheet

RECESS INSTALLATION OPTIONAL ELECTRICAL CORD LOCATIONS

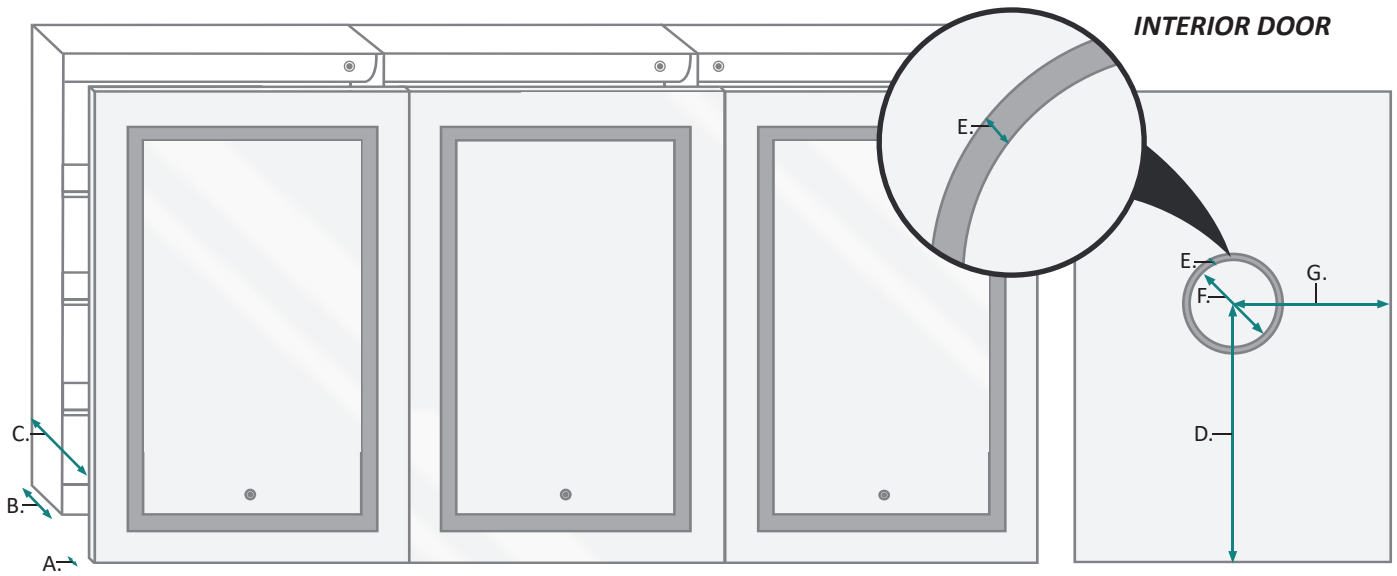


ELECTRICAL CORD LOCATIONS

MODEL	A	B	C	D
SVANGE 7236TLLR	1-1/2	1-1/8	1-3/8	11-1/4

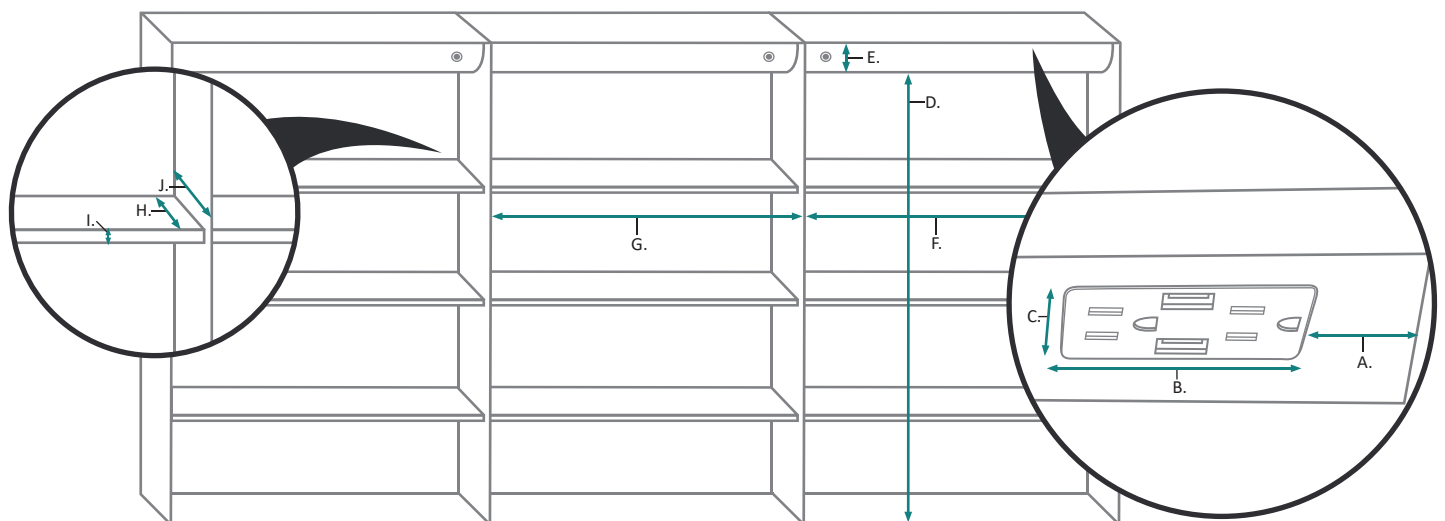
These measurements are for reference, for best results we suggest you measure actual product as small variations in size are possible

SVANGE 7236TLLR LED Medicine Cabinet - Specification Sheet



DOOR & CABINET

MODEL	A	B	C	D	E	F	G
SVANGE 7236TLLR	7/8	3-7/8	4-3/4	18	3/8	5-1/4	11-1/4



INTERIOR CABINET

MODEL	A	B	C	D	E	F	G	H	I	J
SVANGE 7236TLLR	3-3/4	5-5/8	1-1/4	32-1/4	2-1/4	22-1/2	22-1/2	2-3/8	3/8	3-5/8

These measurements are for reference, for best results we suggest you measure actual product as small variations in size are possible