

SVANGE 4836D Wall Mirror - Specification Sheet

Features

- Dimmable LED task lighting
- Integrated touch sensor control with memory
- Energy efficient LED lighting 6000K
- 3100 Lumens
- CRI 90+
- Integrated Defogger

Construction

- Quality polished edge mirror
- Single phase wire installation
- 5 MM Silver Backed Copper Free
- Installation Either Surface Mount (Side Mirror Trim Panels included) or Recessed
- Includes installation hardware



Codes/Standards Applicable

- Conforms to UL Std. 962
- Cert. to CSA Std. C22.2 No.250.0-08
- ETL Intertek 5004931

Electrical System

Requirements for each cabinet:

- 120Vac, 60Hz, 53W
- Electric Current: 0.44A
- Wattage: 53W

Model

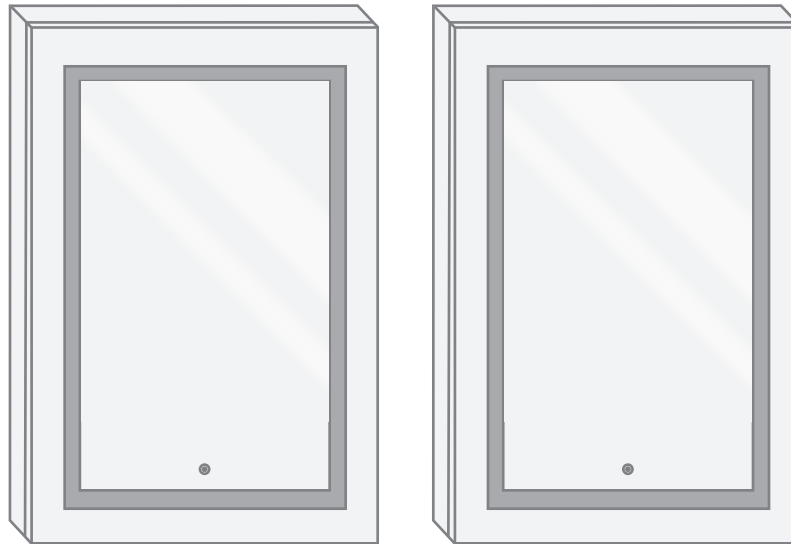
- SVANGE 4836D Right & Left Swinging Doors
- Included models in this configuration:
Cabinet 1 = 2436L Cabinet 2 = 2436R

Outlet

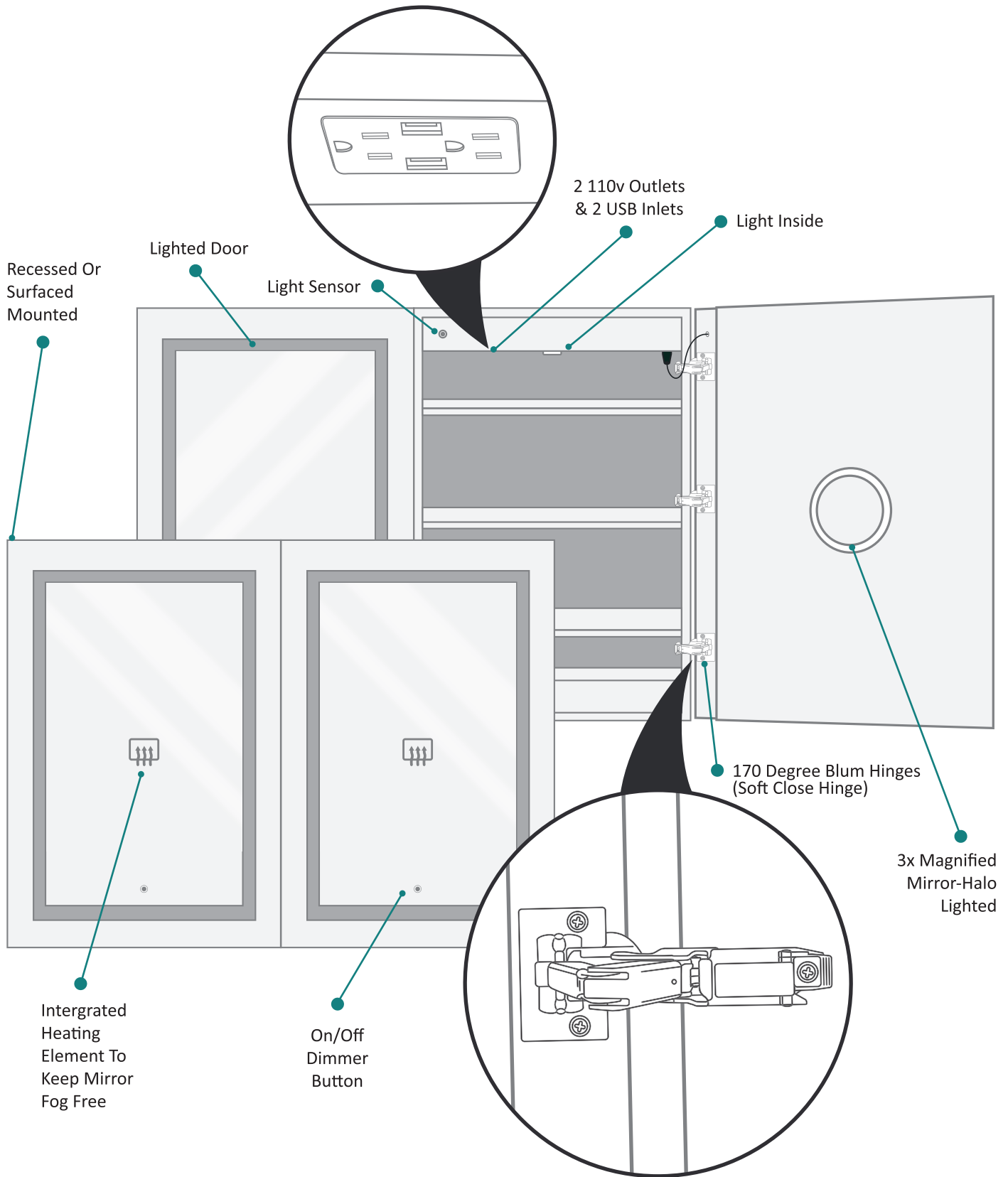
- Performance Requirements: Contains the required Supervisory Circuit with the Auto-Monitoring Function as noted by UL 1310
- Input Voltage: Min 112Vac, Nom 125Vac, Max 137Vac
- Frequency: 60Hz
- Front Receptacle Current: 102-132VAC Nominal 15A
- USB Output Current: 5VDC Nominal 4A

CABINET CONFIGURATION

- Included models in this configuration:
Cabinet 1 = 2436L Cabinet 2 = 2436R



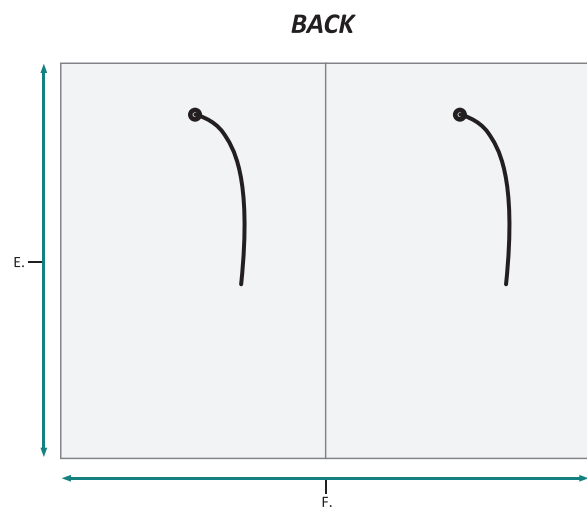
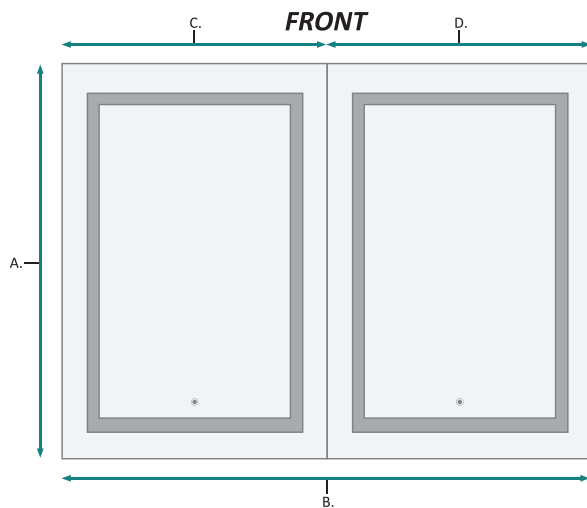
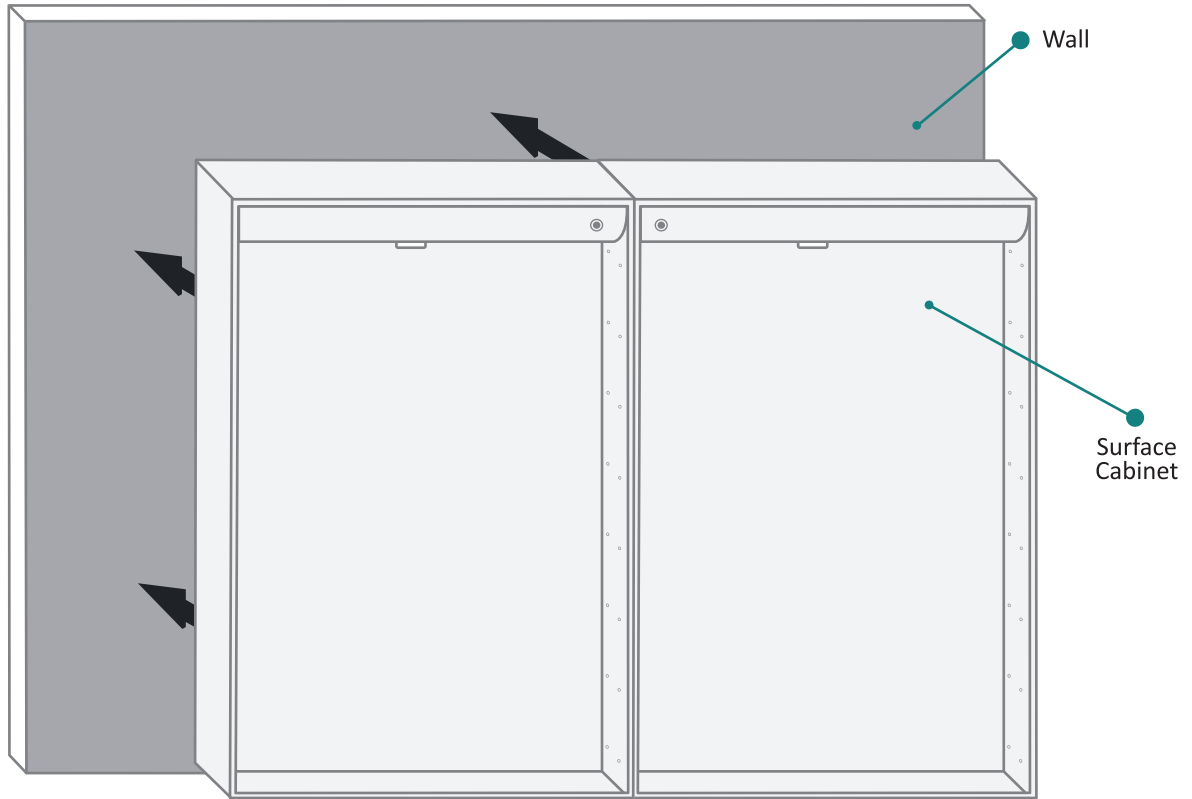
SVANGE 4836D Wall Mirror - Specification Sheet



SVANGE 4836D Wall Mirror - Specification Sheet



SURFACE MOUNT



FRONT & BACK

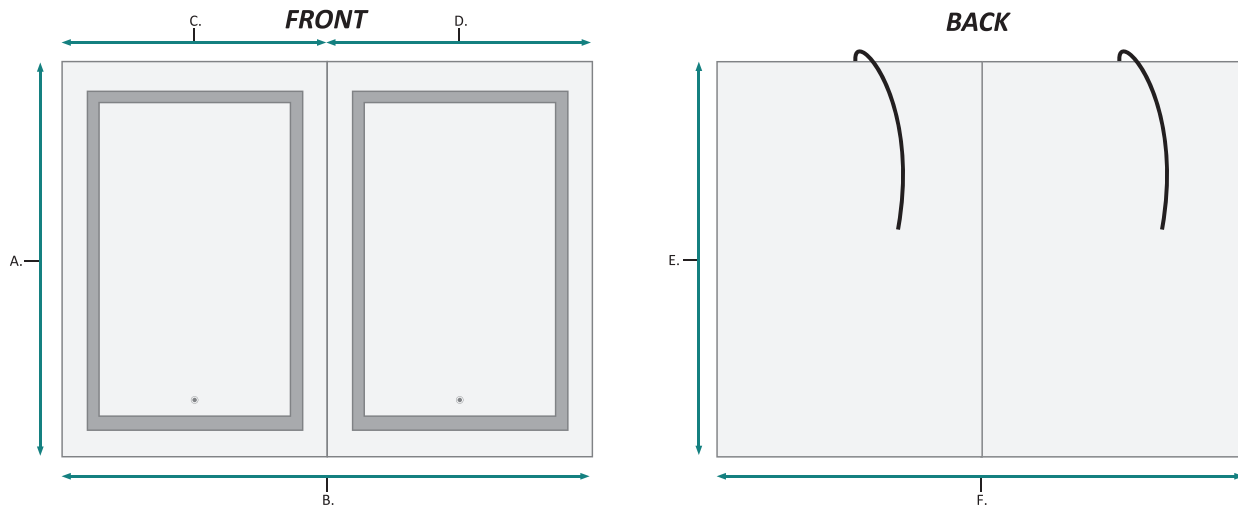
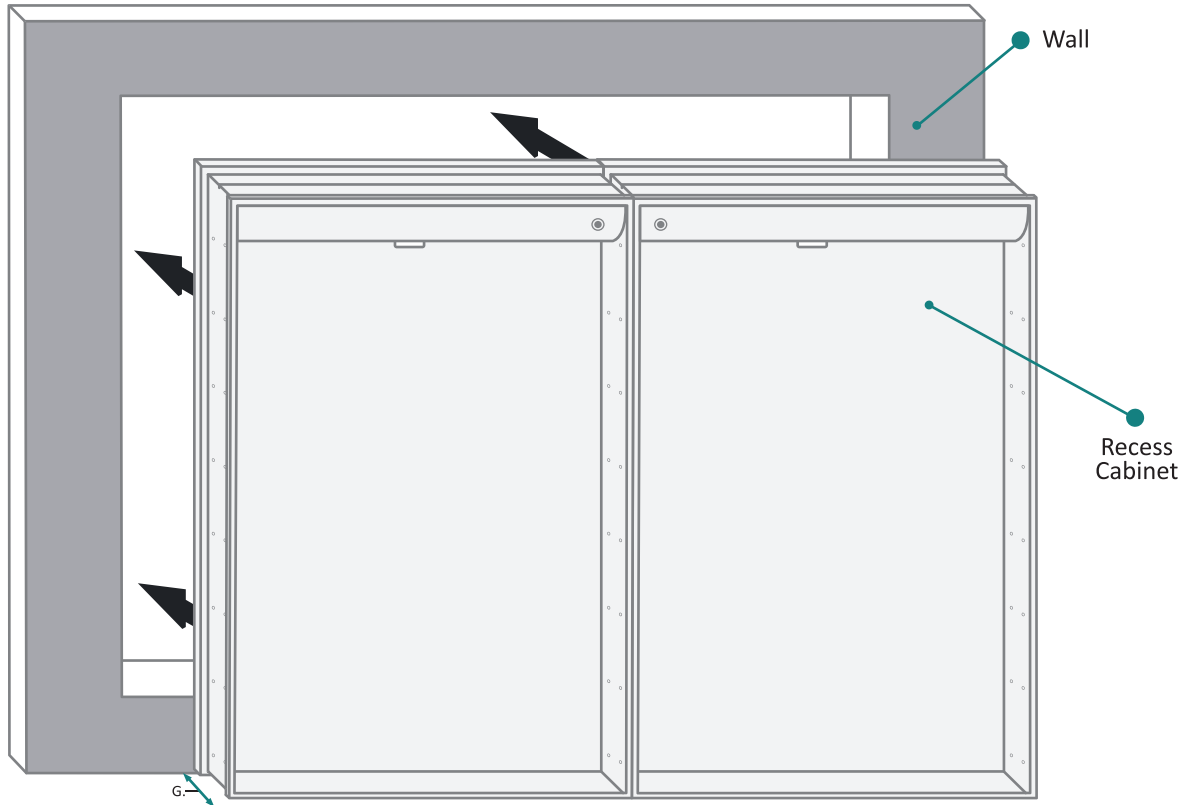
MODEL	A	B	C	D	E	F
SVANGE4836D	36	48-1/8	24	24	36	48-1/8

These measurements are for reference, for best results we suggest you measure actual product as small variations in size are possible

SVANGE 4836D Wall Mirror - Specification Sheet



RECESS MOUNT

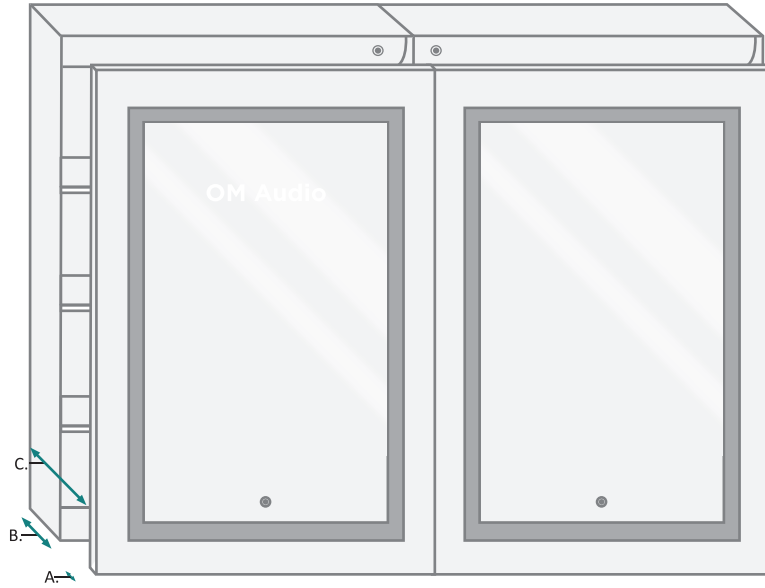


FRONT & BACK

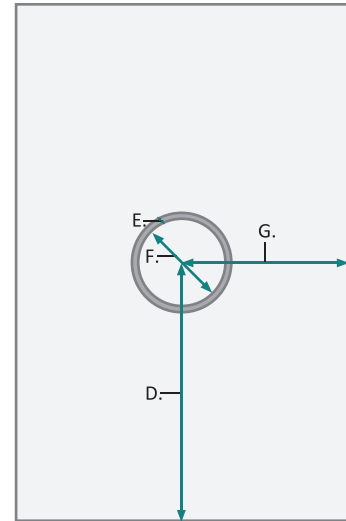
MODEL	A	B	C	D	E	F	G
SVANGE4836D	36	48-1/8	24	24	35-1/8	47-1/8	3-1/2

These measurements are for reference, for best results we suggest you measure actual product as small variations in size are possible

SVANGE 4836D Wall Mirror - Specification Sheet

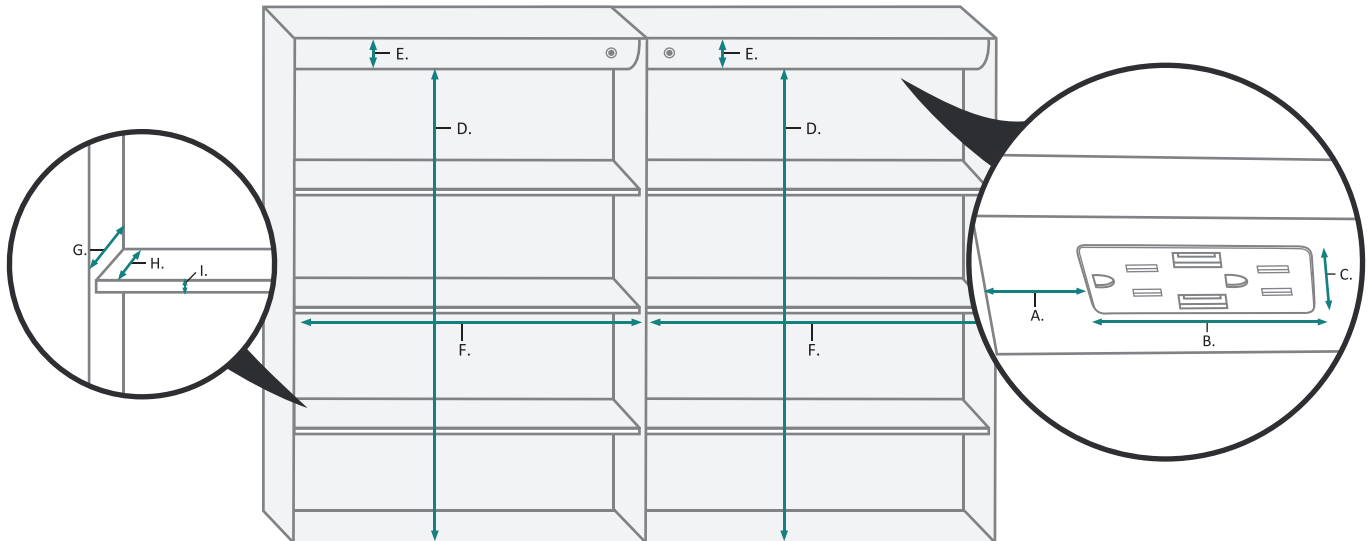


INTERIOR DOOR



DOOR & CABINET

MODEL	A	B	C	D	E	F	G
SVANGE4836D	7/8	3-1/2	5	18	3-1/8	5-1/4	13



INTERIOR CABINET

MODEL	A	B	C	D	E	F	G	H	I
SVANGE4836D	3-3/4	5-5/8	1-1/4	32	2-1/4	22-1/4	3-5/8	2-3/8	3/8

These measurements are for reference, for best results we suggest you measure actual product as small variations in size are possible