

SVANGE 4242L LED Medicine Cabinet - Specification Sheet

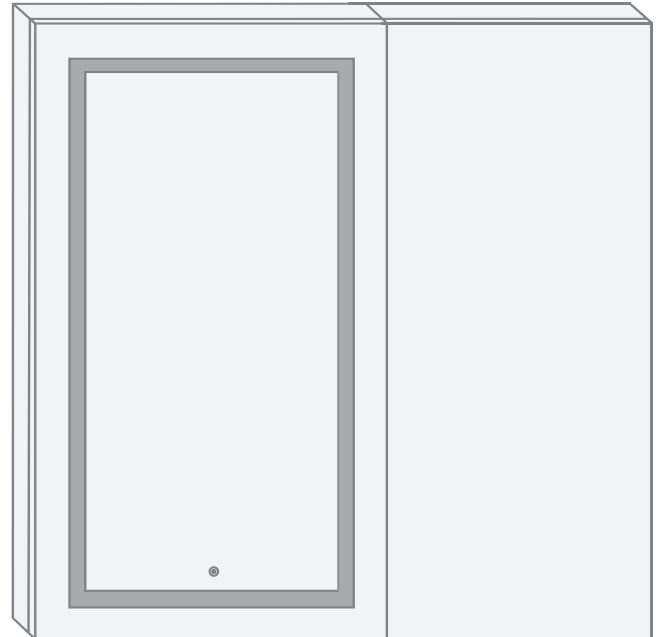


Features

- Dimmable LED task lighting
- Integrated touch sensor control with memory
- Energy efficient LED lighting 5000K
- 4100 Lumens
- CRI 90+
- Integrated Defogger

Construction

- Quality polished edge mirror
- Single phase wire installation
- 5 MM Silver Backed Copper Free
- Installation Either Surface Mount
- (Side Mirror Trim Panels included) or Recessed
- Includes installation hardware



Codes/Standards Applicable

- Conforms to UL Std. 962
- Cert. to CSA Std. C22.2 No.250.0-08
- ETL Intertek 5004931

Electrical System

- 120Vac, 60Hz, 55W
- Electric Current: 0.45A
- Wattage: 55W

Model

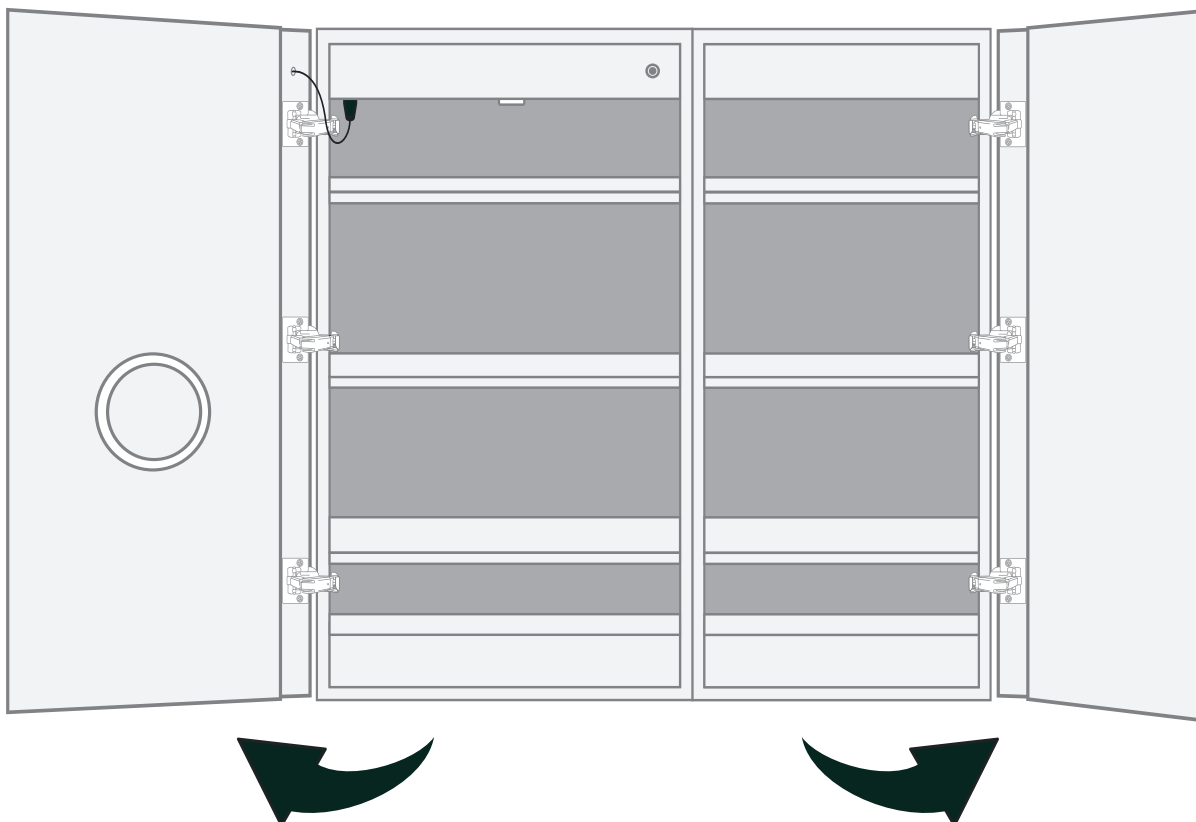
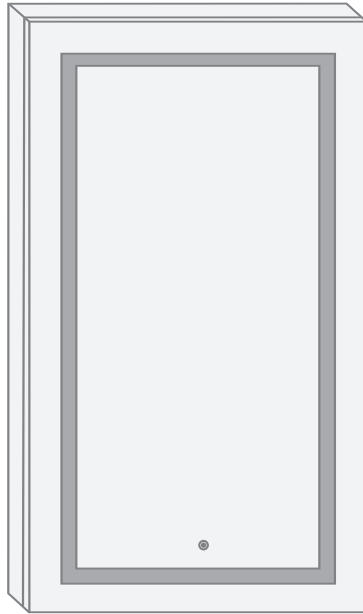
- SVANGE 4242L Left Swinging Door
- Included models in this configuration:
Cabinet 1=2442L Cabinet 2=1842R

Electrical System

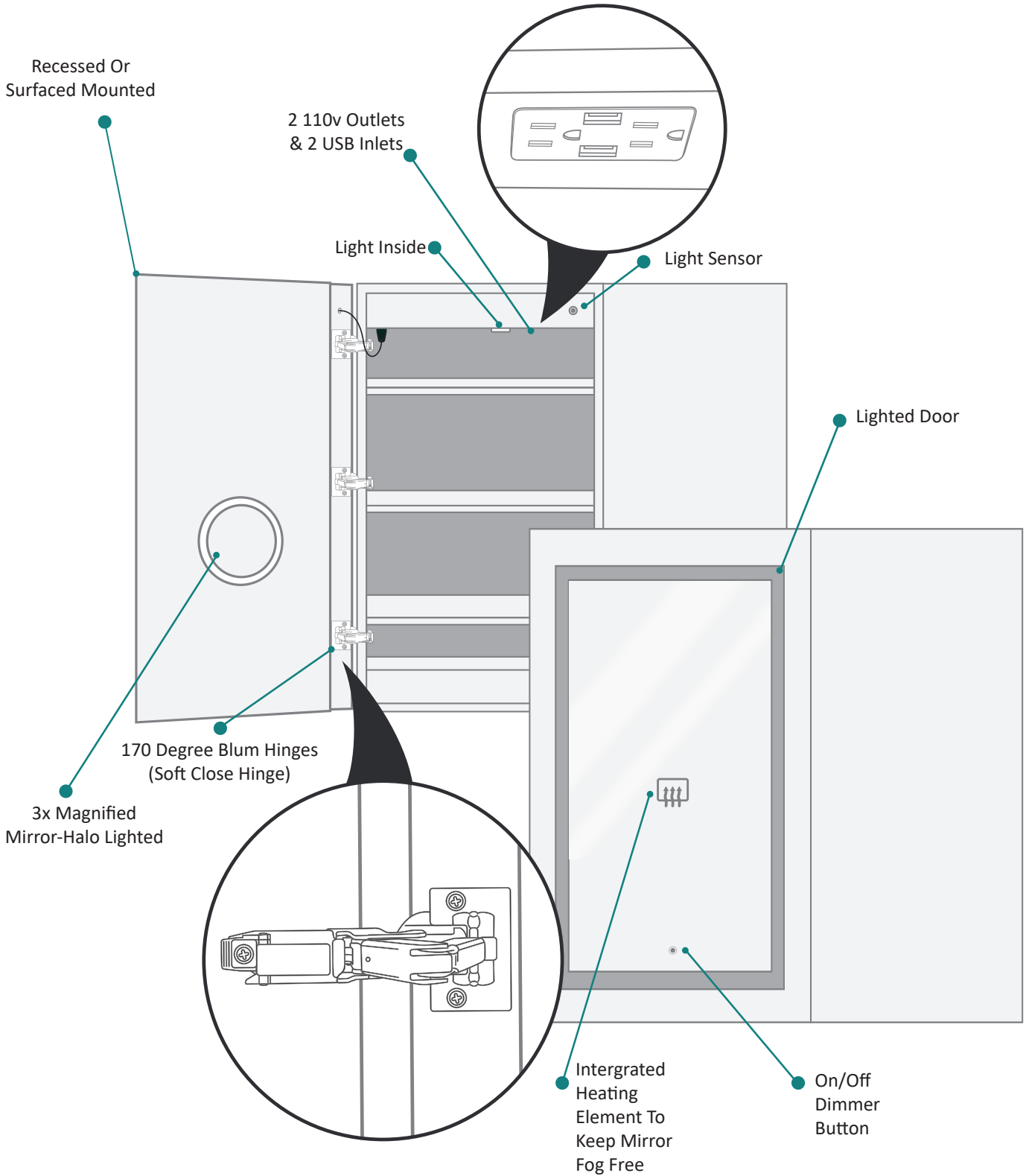
- Performance Requirements: Contains the required
- Supervisory Circuit with the Auto-Monitoring Function as noted by UL 1310
- Input Voltage: Min 112Vac, Nom 125Vac, Max 137Vac
- Frequency:60Hz
- Front Receptacle Current: 102-132Vac Nominal 15A
- USB Output Current:5VDC Nominal 4A

CABINET CONFIGURATION

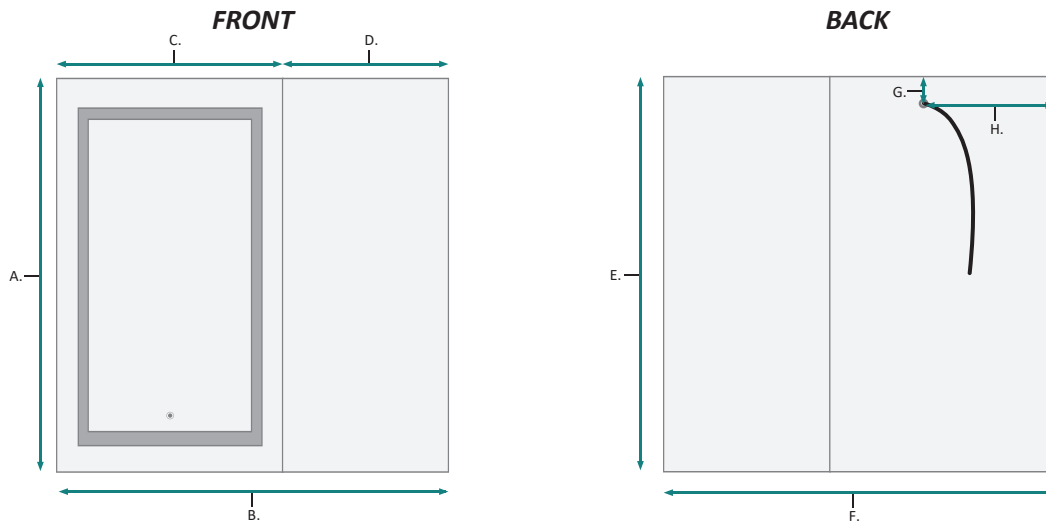
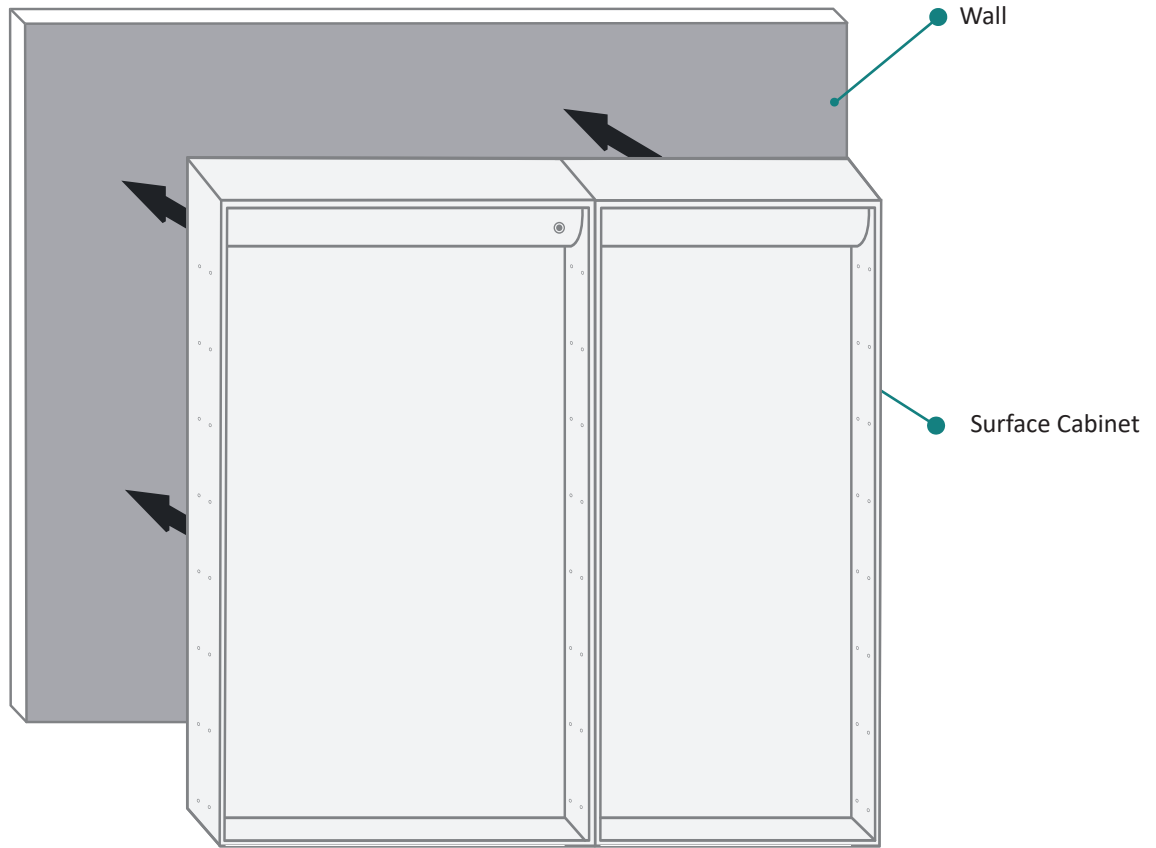
- Included models in this configuration:
Cabinet 1 = 2442L Cabinet 2=1842R



SVANGE 4242L LED Medicine Cabinet - Specification Sheet



SURFACE MOUNT

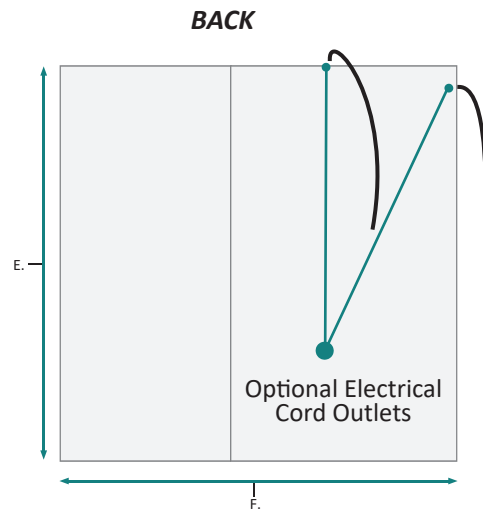
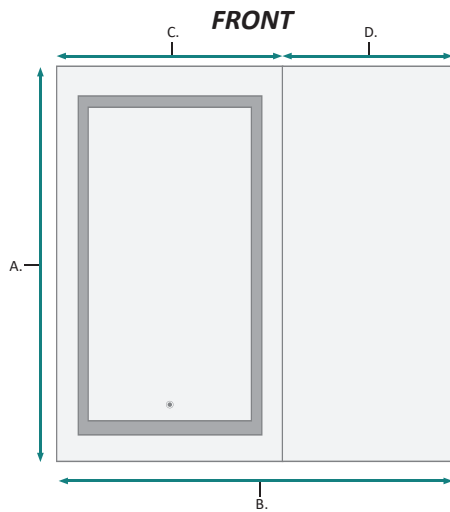
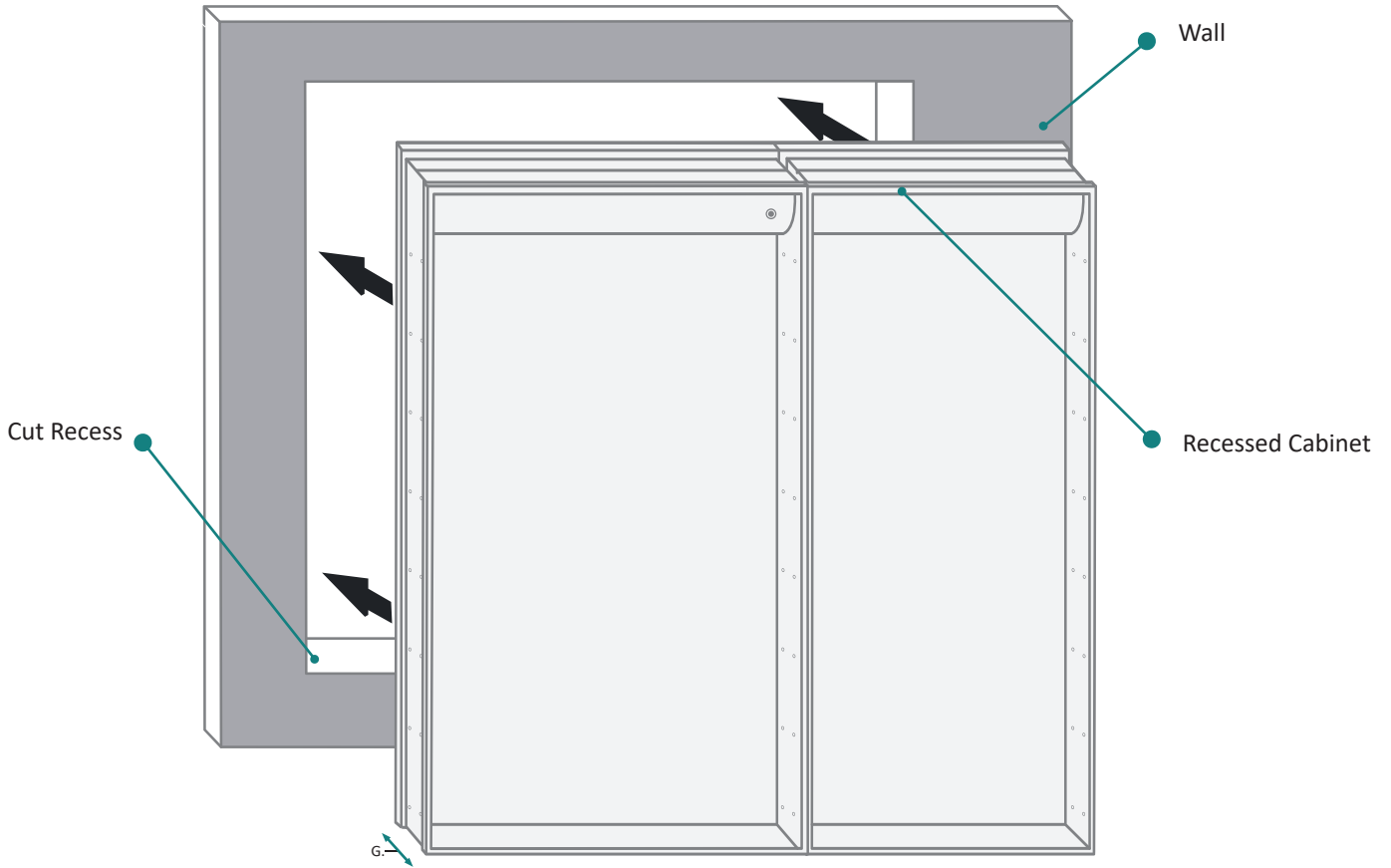


FRONT & BACKS

| MODEL | A | B | C | D | E | F | G | H |
|-------------|----|----|----|----|--------|----|-------|--------|
| SVANGE4242L | 42 | 42 | 24 | 18 | 40-1/2 | 39 | 1-1/8 | 11-1/4 |

These measurements are for reference, for best results we suggest you measure actual product as small variations in size are possible

RECESSED MOUNT

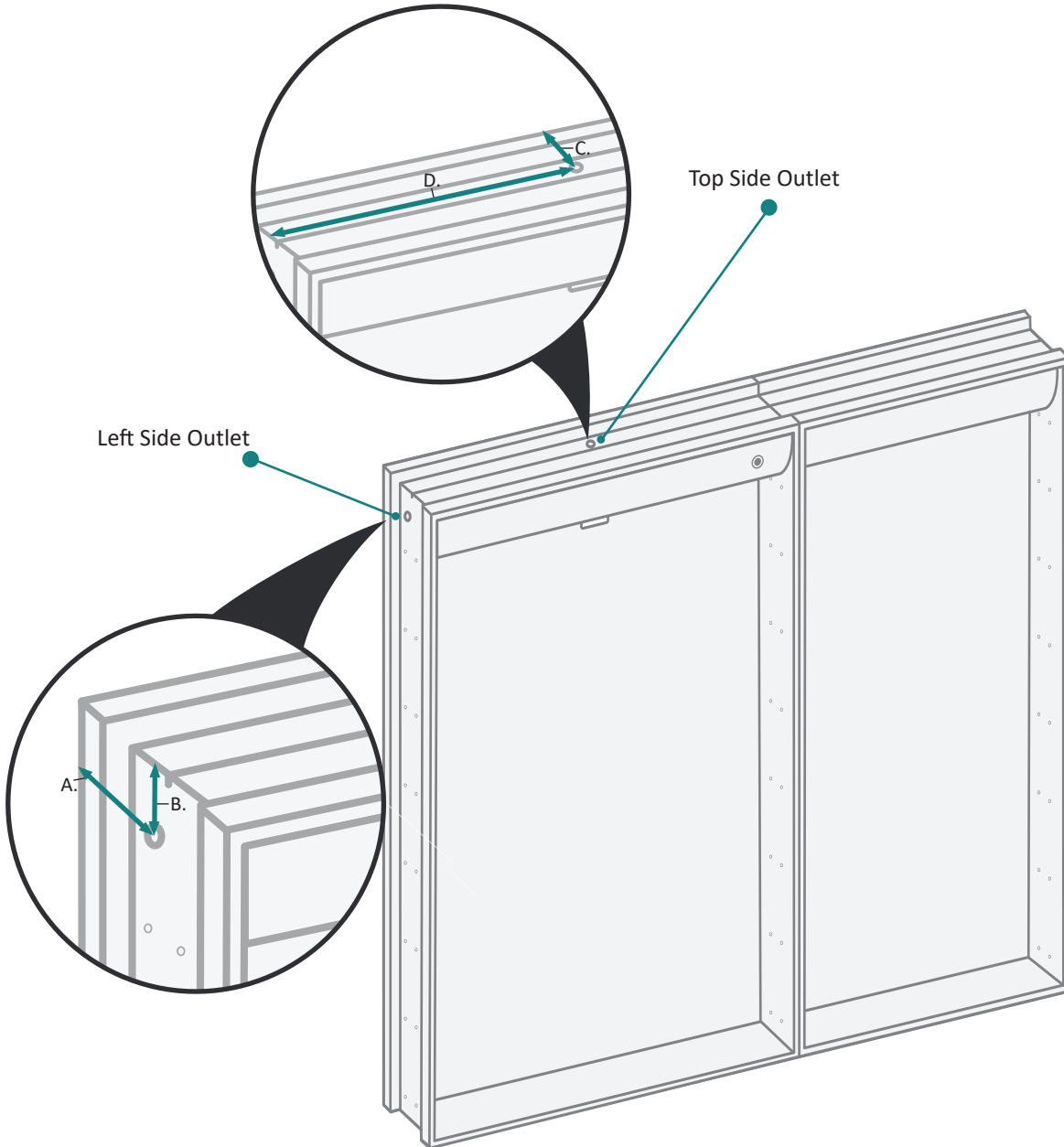


FRONT & BACKS

| MODEL | A | B | C | D | E | F | G |
|-------------|----|----|----|----|--------|----|-------|
| SVANGE4242L | 42 | 42 | 24 | 18 | 40-1/2 | 39 | 3-7/8 |

These measurements are for reference, for best results we suggest you measure actual product as small variations in size are possible

RECESS INSTALLATION OPTIONAL ELECTRICAL CORD LOCATIONS

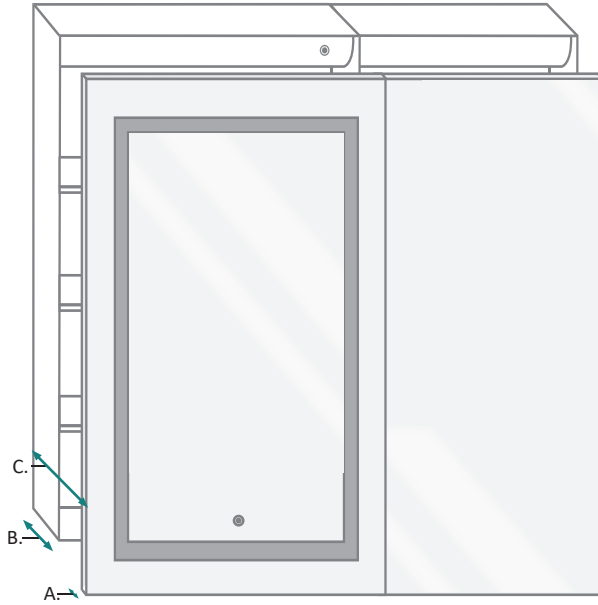


ELECTRICAL CORD LOCATIONS

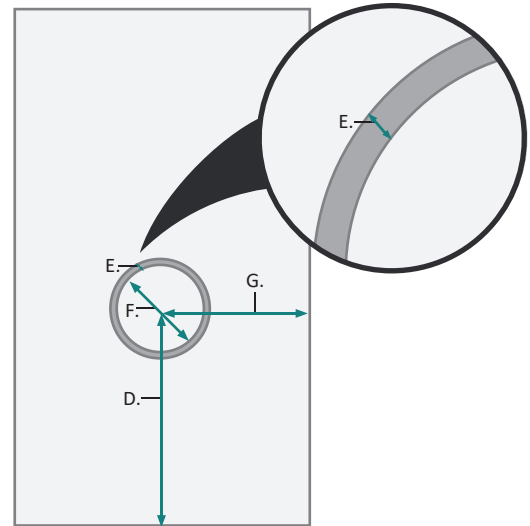
| MODEL | A | B | C | D |
|-------------|-------|-------|-------|--------|
| SVANGE4242L | 1-1/2 | 1-1/8 | 1-3/8 | 11-1/4 |

These measurements are for reference, for best results we suggest you measure actual product as small variations in size are possible

SVANGE 4242L LED Medicine Cabinet - Specification Sheet

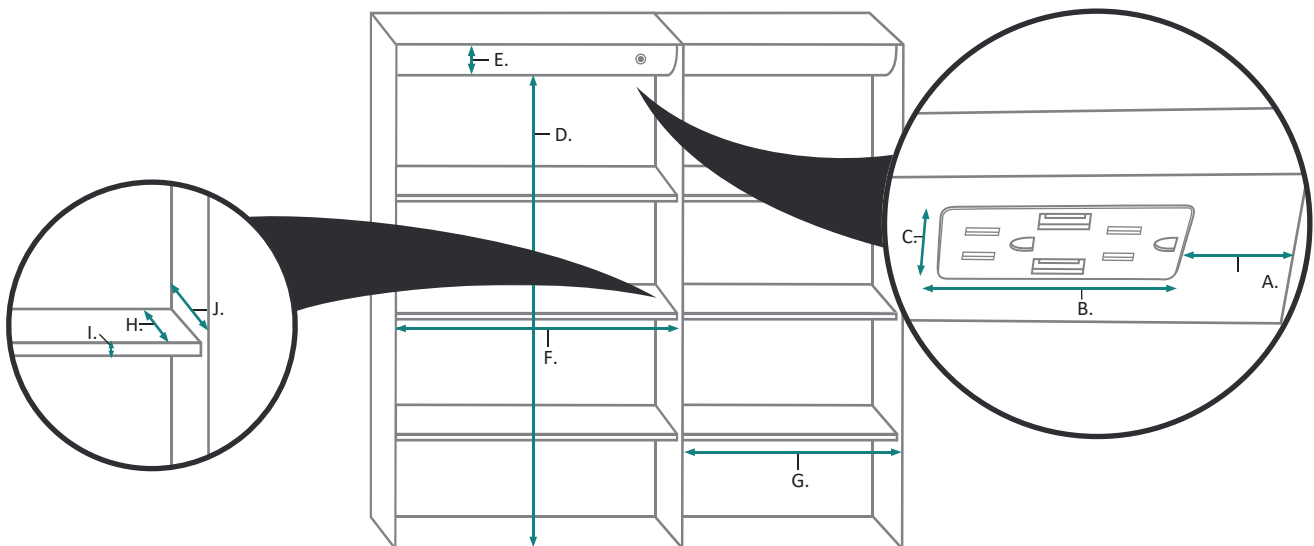


INTERIOR DOOR



DOOR & CABINET

| MODEL | A | B | C | D | E | F | G |
|-------------|-----|-------|-------|----|-----|-------|--------|
| SVANGE4242L | 7/8 | 3-7/8 | 4-3/4 | 18 | 3/8 | 5-1/4 | 11-1/4 |



INTERIOR CABINET

| MODEL | A | B | C | D | E | F | G | H | I | J |
|-------------|-------|-------|-------|--------|-------|--------|--------|-------|-----|-------|
| SVANGE4242L | 3-3/4 | 5-5/8 | 1-1/4 | 38-1/4 | 2-1/4 | 22-1/2 | 16-1/2 | 2-3/8 | 3/8 | 3-5/8 |

These measurements are for reference, for best results we suggest you measure actual product as small variations in size are possible