

SVANGE 2430L LED Medicine Cabinet - Specification Sheet

Features

- Dimmable LED task lighting
- Integrated touch sensor control with memory
- Energy efficient LED lighting 5000K
- 2003 Lumens
- CRI 90+
- Integrated Defogger

Construction

- Quality polished edge mirror
- Single phase wire installation
- 5 MM Silver Backed Copper Free
- Installation Either Surface Mount
- (Side Mirror Trim Panels included) or Recessed
- Includes installation hardware



Codes/Standards Applicable

- Conforms to UL Std. 962
- Cert. to CSA Std. C22.2 No.250.0-08
- ETL Intertek 5004931

Electrical System

- 120Vac, 60Hz, 45W
- Electric Current: 0.38A
- Wattage: 45W

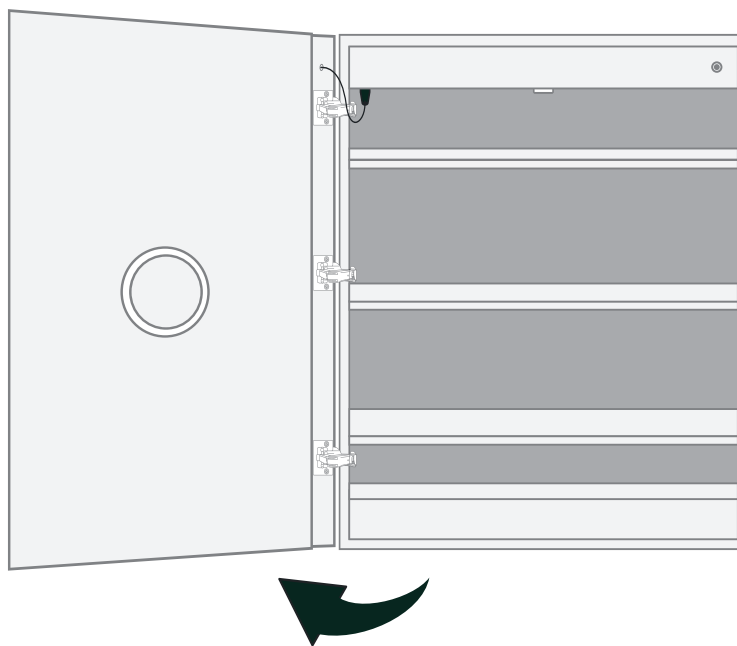
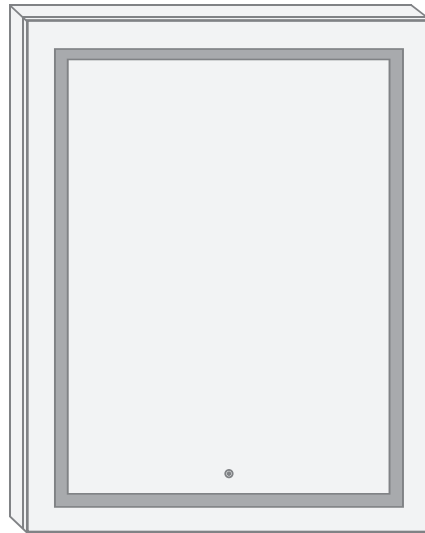
Model

- SVANGE 2430L

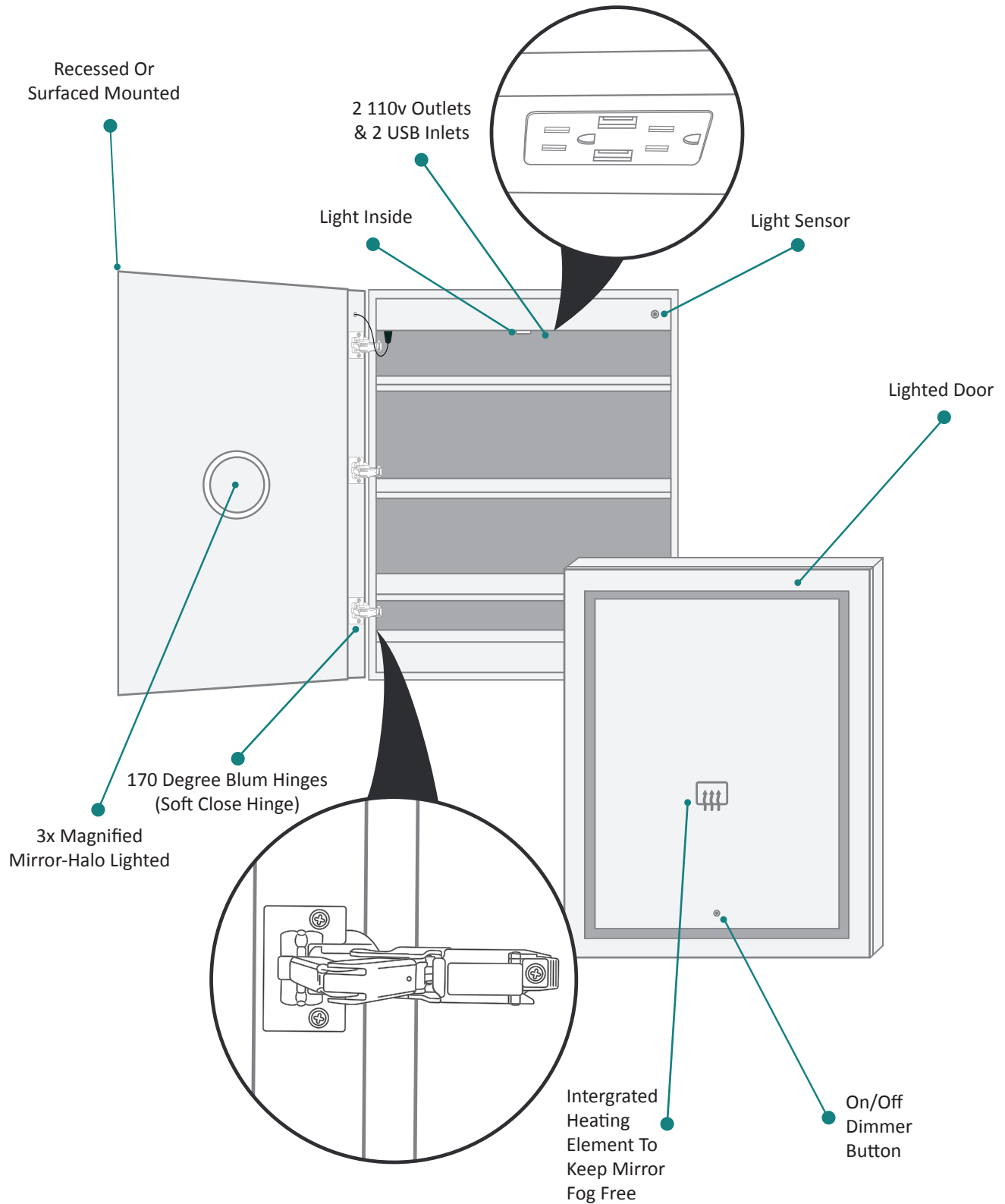
Electrical System

- Performance Requirements: Contains the required
- Supervisory Circuit with the Auto-Monitoring Function as noted by UL 1310
- Input Voltage: Min 112Vac, Nom 125Vac, Max 137Vac
- Frequency: 60Hz
- Front Receptacle Current: 102-132Vac Nominal 15A
- USB Output Current: 5VDC Nominal 4A

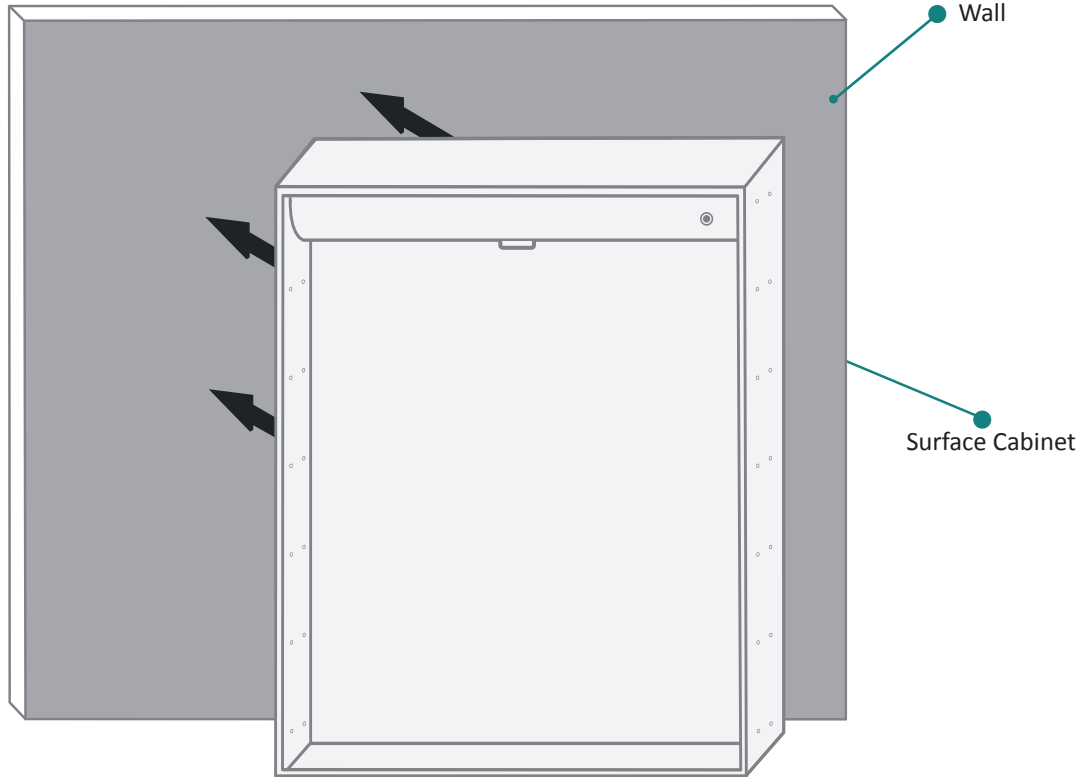
CABINET CONFIGURATION



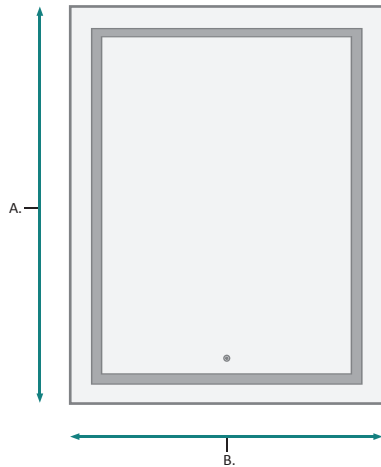
SVANGE 2430L LED Medicine Cabinet - Specification Sheet



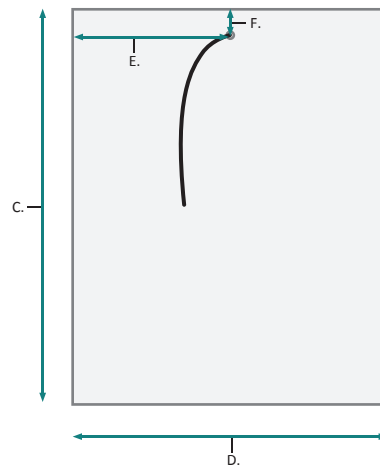
SURFACE MOUNT



FRONT



BACK



FRONT & BACKS

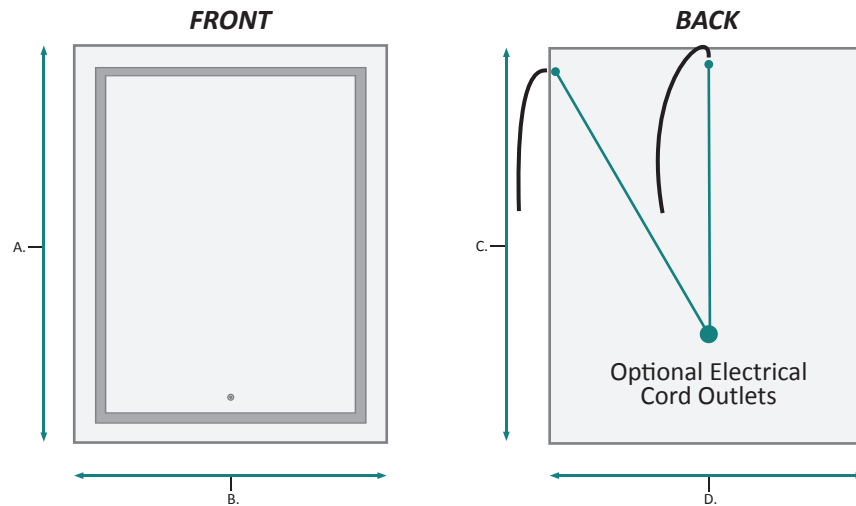
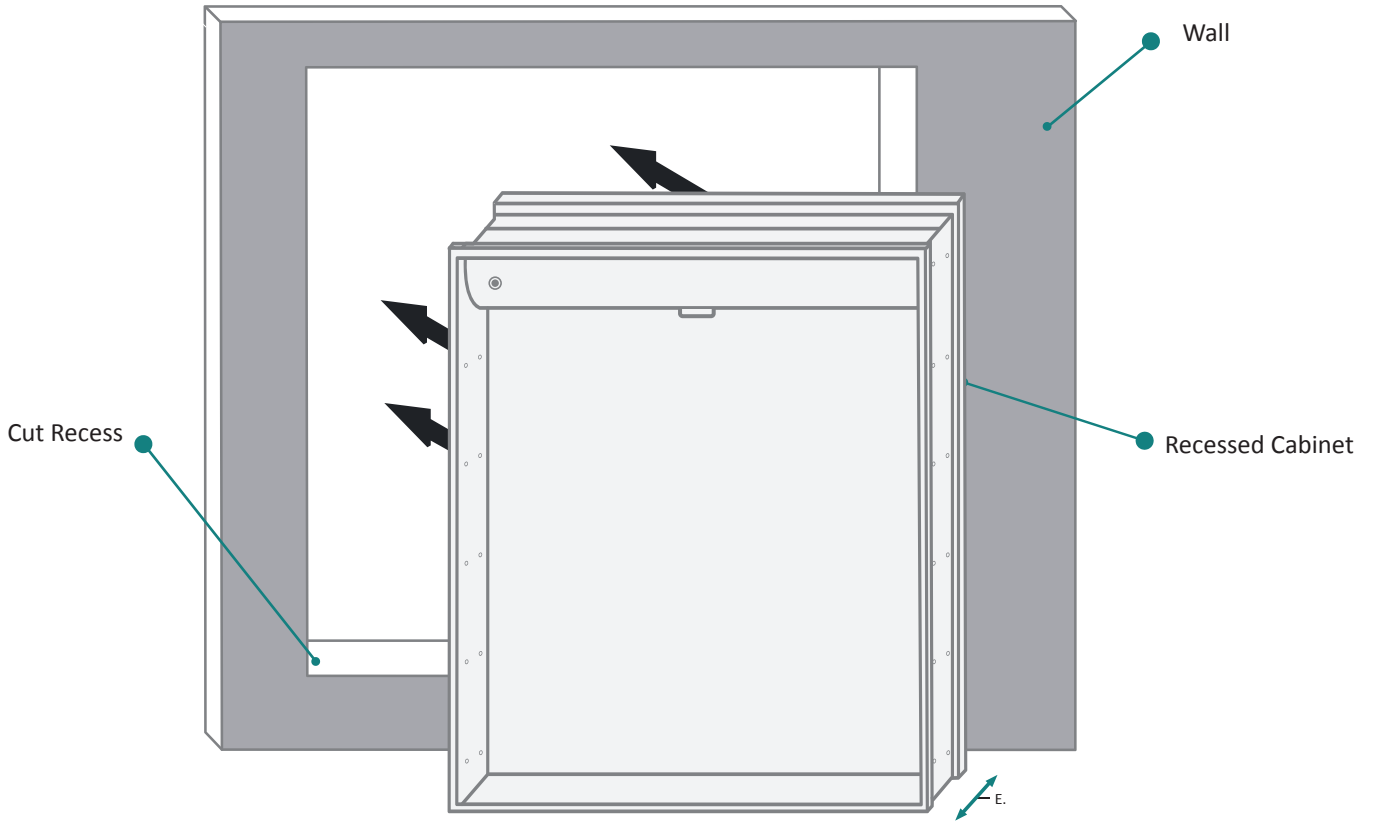
MODEL	A	B	C	D	E	F
SVANGE2430L	30	24	29-1/2	23	11-1/4	1-1/8

These measurements are for reference, for best results we suggest you measure actual product as small variations in size are possible

SVANGER 2430L LED Medicine Cabinet - Specification Sheet



RECESSED MOUNT

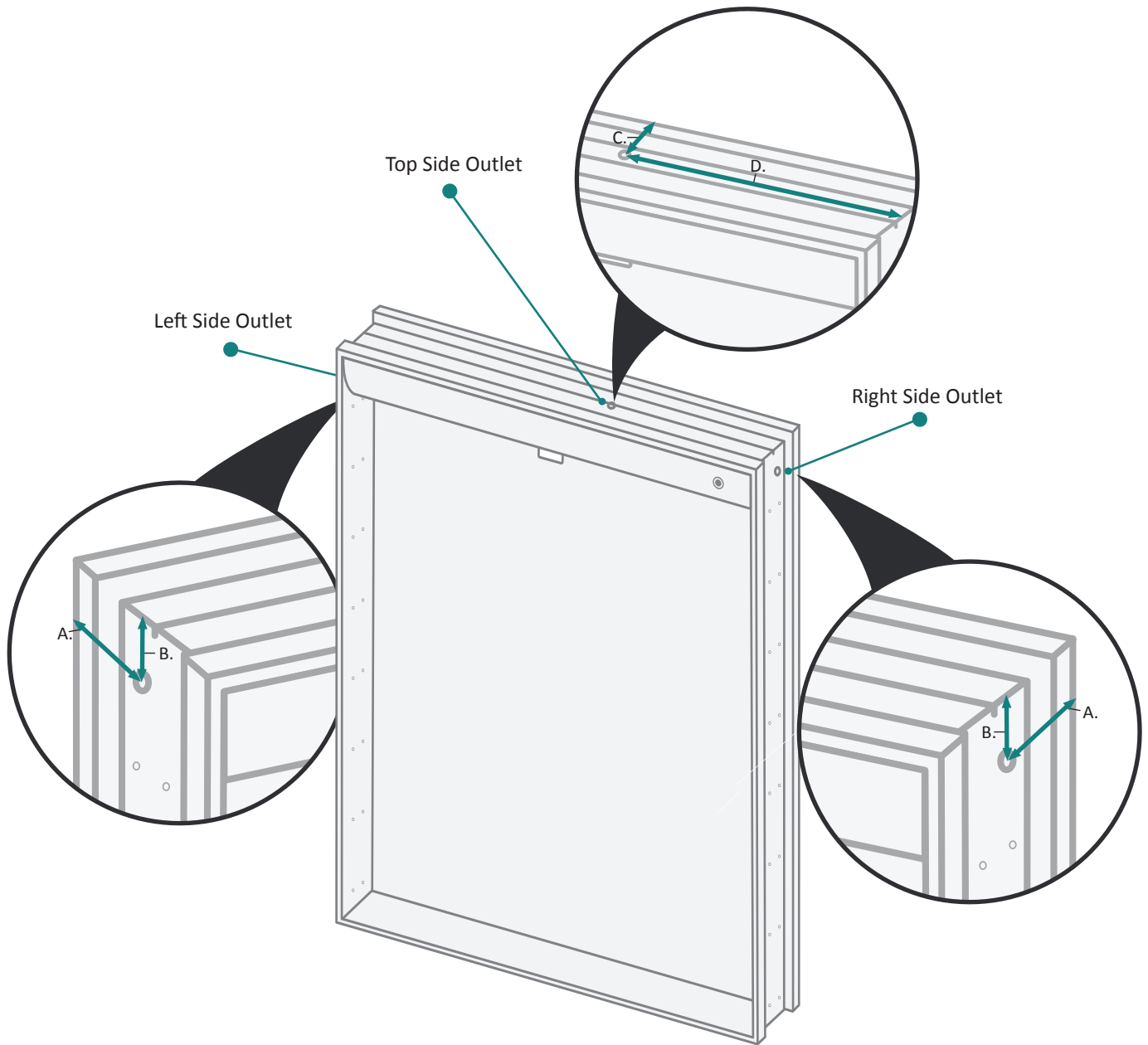


FRONT & BACKS

MODEL	A	B	C	D	E
SVANGE2430L	30	24	29-1/2	23	3-7/8

These measurements are for reference, for best results we suggest you measure actual product as small variations in size are possible

RECESS INSTALLATION OPTIONAL ELECTRICAL CORD LOCATIONS

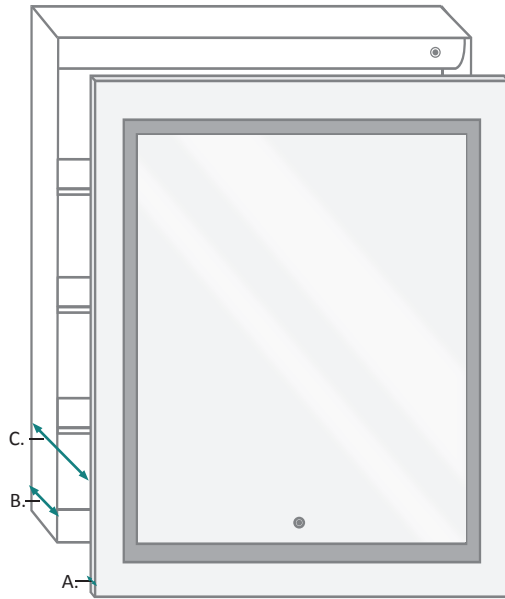


ELECTRICAL CORD LOCATIONS

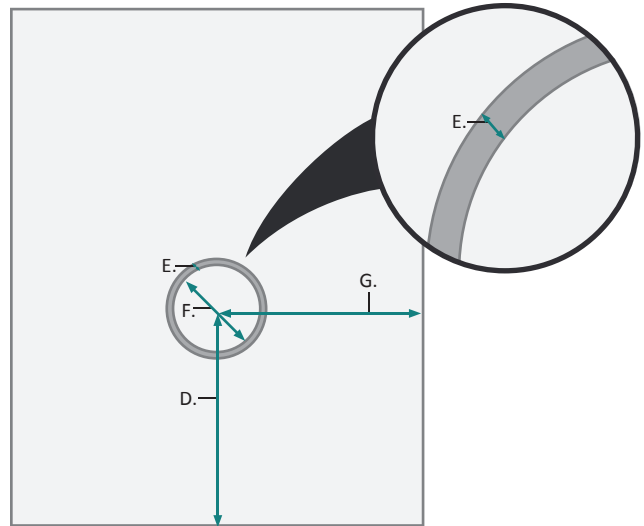
MODEL	A	B	C	D
SVANGE2430L	1-1/2	1-1/8	1-3/8	11-1/4

These measurements are for reference, for best results we suggest you measure actual product as small variations in size are possible

SVANGE 2430L LED Medicine Cabinet - Specification Sheet

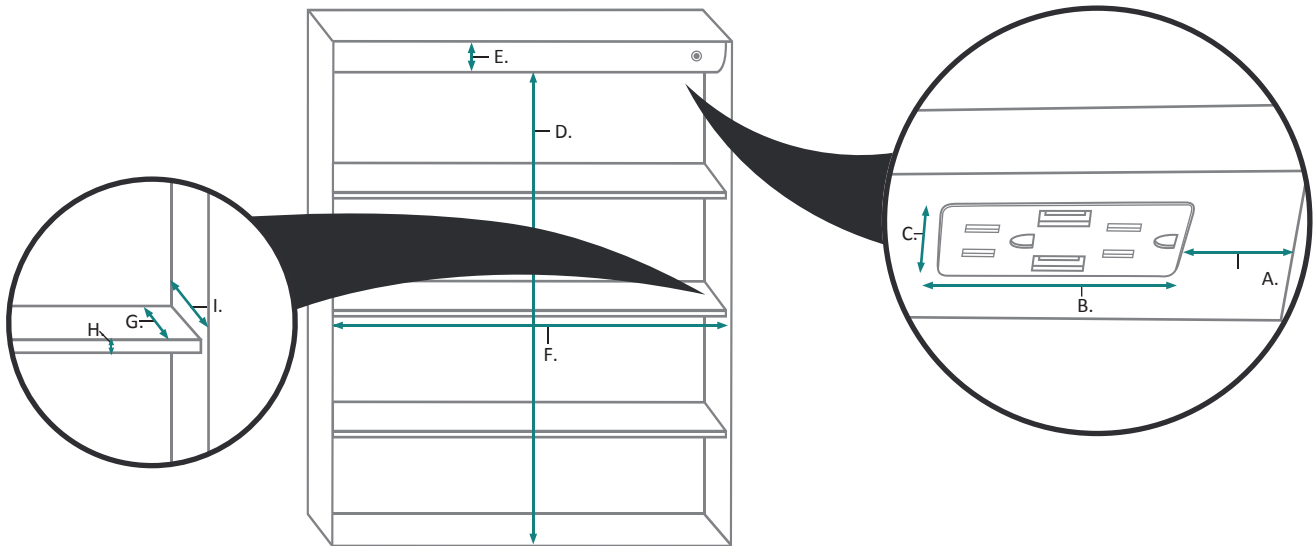


INTERIOR DOOR



DOOR & CABINET

MODEL	A	B	C	D	E	F	G
SVANGE2430L	7/8	3-7/8	4-3/4	18	3/8	5-1/4	11-1/4



INTERIOR CABINET

MODEL	A	B	C	D	E	F	G	H	I
SVANGE2430L	3-3/4	5-5/8	1-1/4	38-1/4	2-1/4	22-1/2	2-3/8	3/8	3-5/8

These measurements are for reference, for best results we suggest you measure actual product as small variations in size are possible