

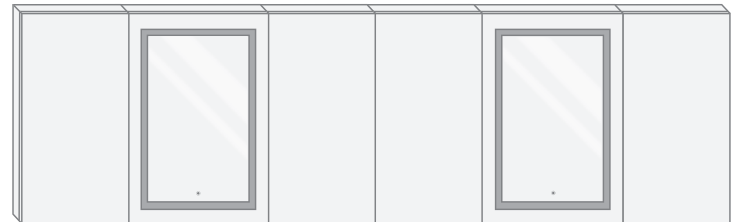
SVANGE 12036DLLLLRRR LED Medicine Cabinet - Specification Sheet

Features

- Dimmable LED task lighting
- Integrated touch sensor control with memory
- Energy efficient LED lighting 5000K
- 7440 Lumens
- CRI 90+
- Integrated Defogger

Construction

- Quality polished edge mirror
- Single phase wire installation
- 5 MM Silver Backed Copper Free
- Installation Either Surface Mount
- (Side Mirror Trim Panels included) or Recessed
- Includes installation hardware



Codes/Standards Applicable

- Conforms to UL Std. 962
- Cert. to CSA Std. C22.2 No.250.0-08
- ETL Intertek 5004931

Electrical System

- 120Vac, 60Hz, 55W
- Electric Current: 0.45A
- Wattage: 55W

Model

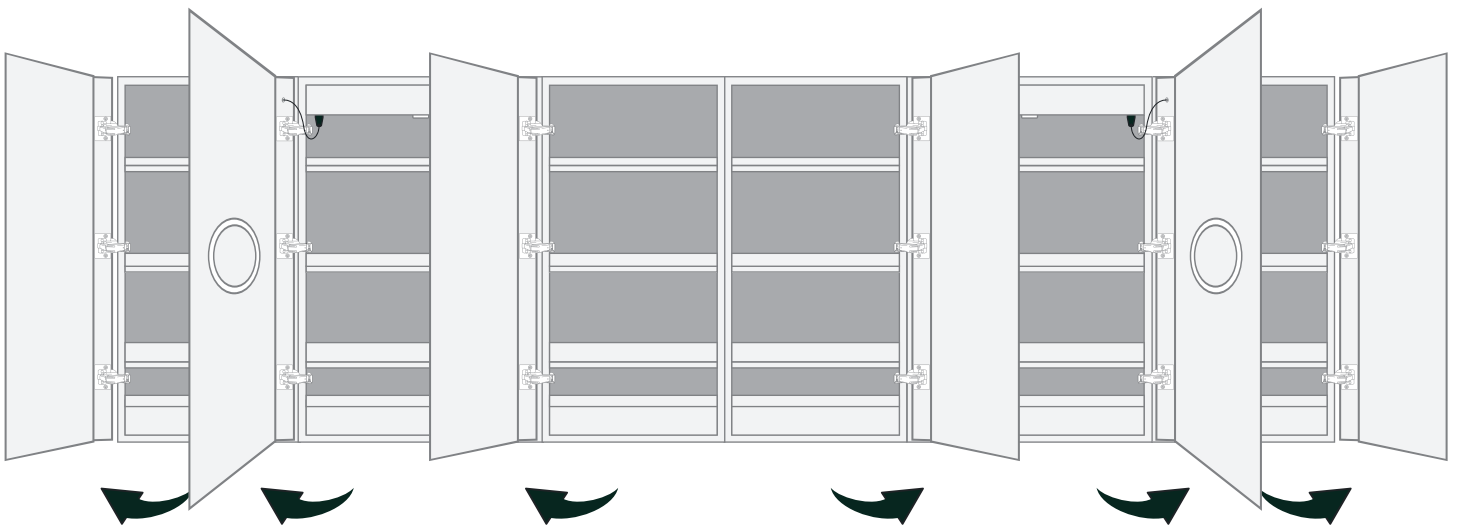
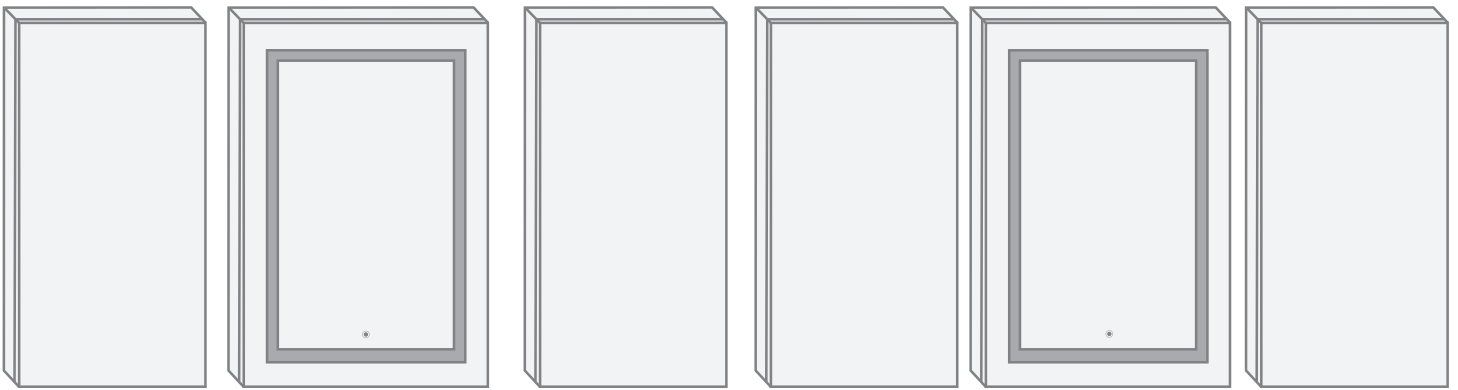
- SVANGE 12036DLLLLRRR Swinging Door
- Included models in this configuration:
 Cabinet 1=1836L Cabinet 2=2436L
 Cabinet 3=1836L Cabinet 4=1836R
 Cabinet 5=2436R Cabinet 6=1836R

Electrical System

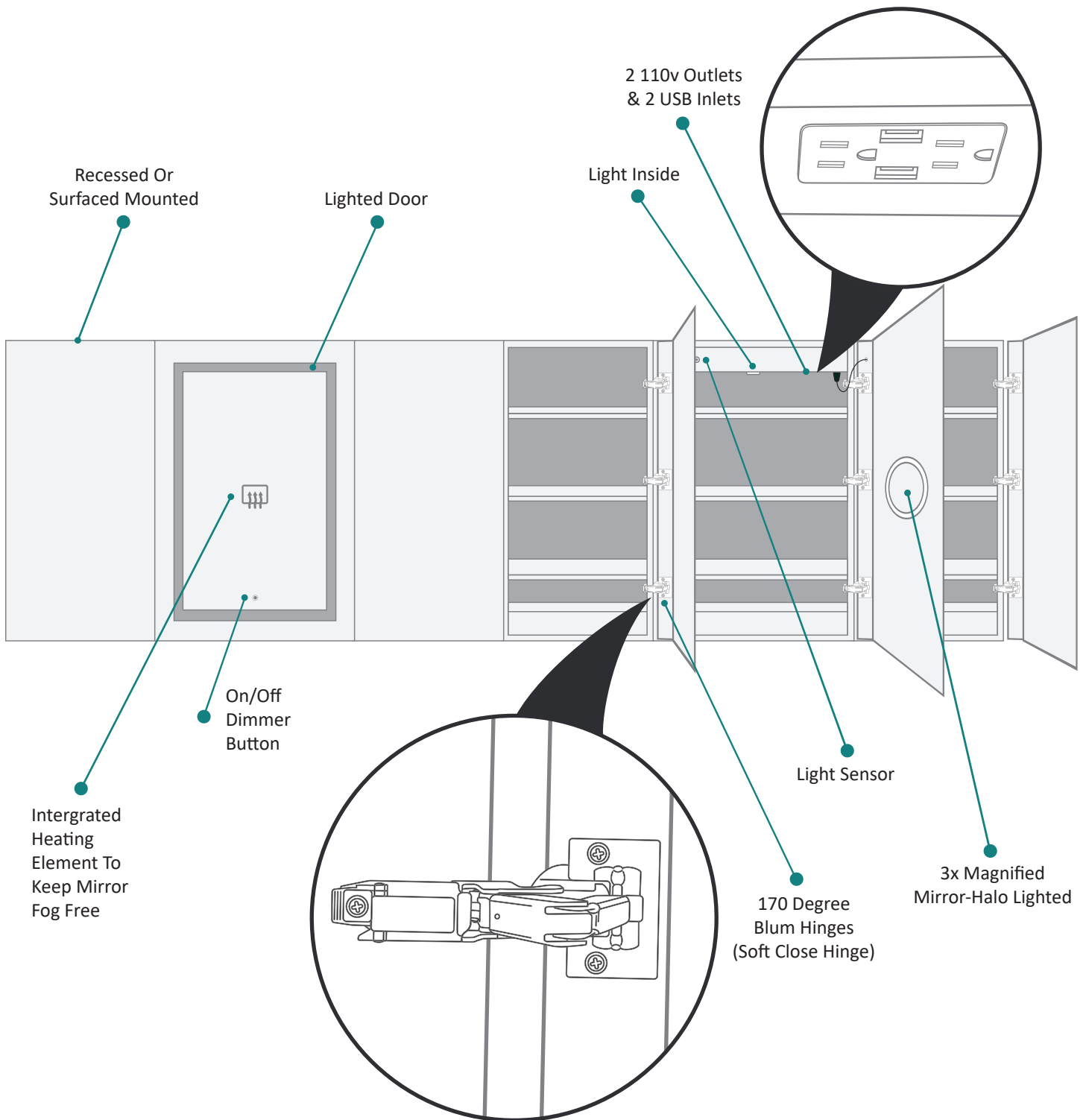
- Performance Requirments: Contains the required
- Supervisory Circiut with the Auto-Monitoring Function as noted by UL 1310
- Input Voltage: Min 112Vac, Nom 125Vac, Max 137Vac
- Frequency:60Hz
- Front Receptacle Current: 102-132Vac Nominal 15A
- USB Output Current:5VDC Nominal 4A

CABINET CONFIGURATION

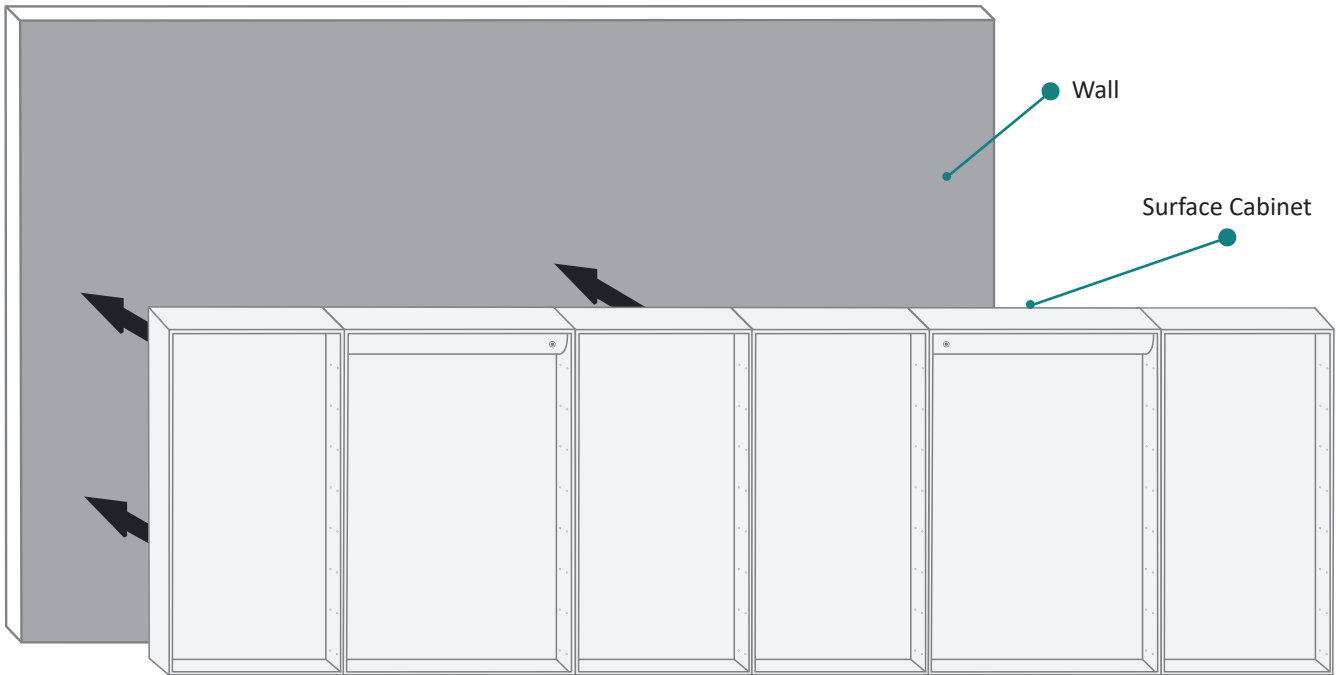
- Included models in this configuration:
Cabinet 1 = 1836L Cabinet 2 = 2436L
Cabinet 3 = 1836L Cabinet 4 = 1836R
Cabinet 5 = 2436R Cabinet 6=1836R



SVANGE 12036DLLRRR LED Medicine Cabinet - Specification Sheet

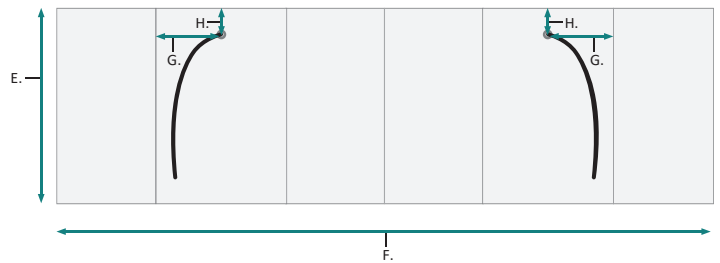
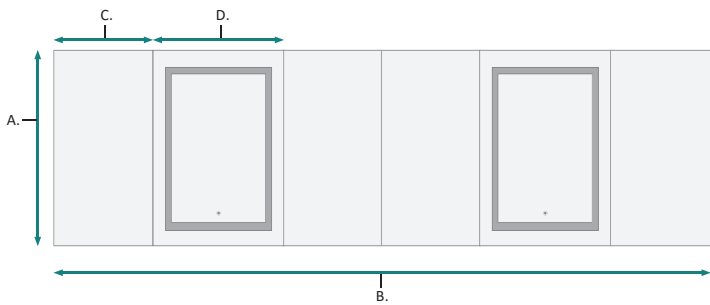


SURFACE MOUNT



FRONT

BACK

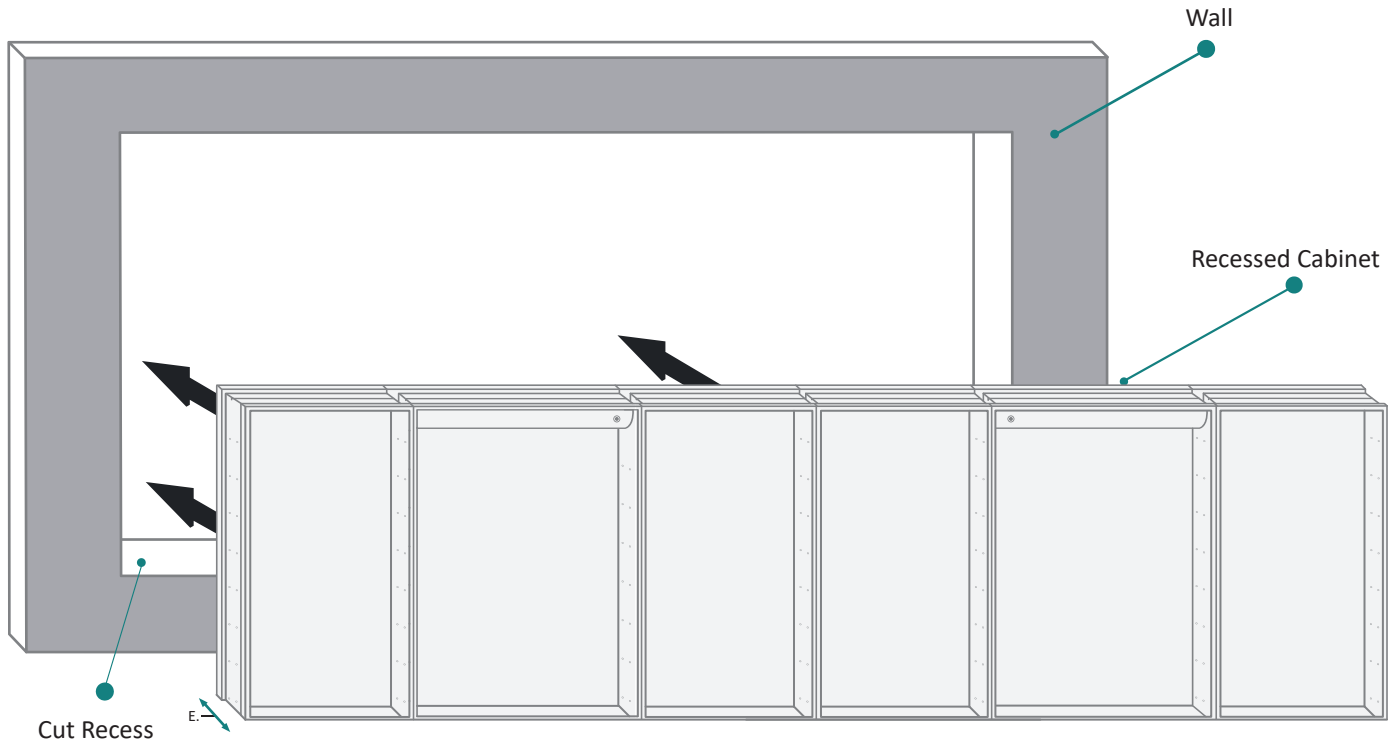


FRONT & BACKS

MODEL	A	B	C	D	E	F	G	H
SVANGE 12036DLLLLRRR	36	120	18	24	34-1/2	111	11-1/4	1-1/8

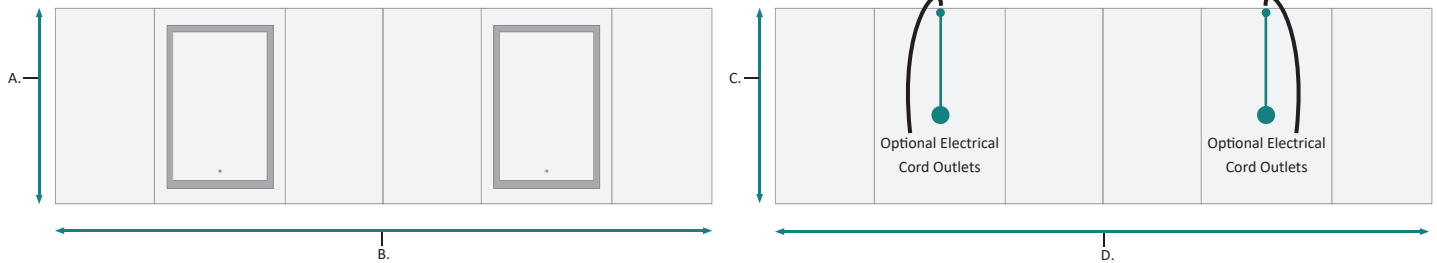
These measurements are for reference, for best results we suggest you measure actual product as small variations in size are possible

RECESSED MOUNT



FRONT

BACK

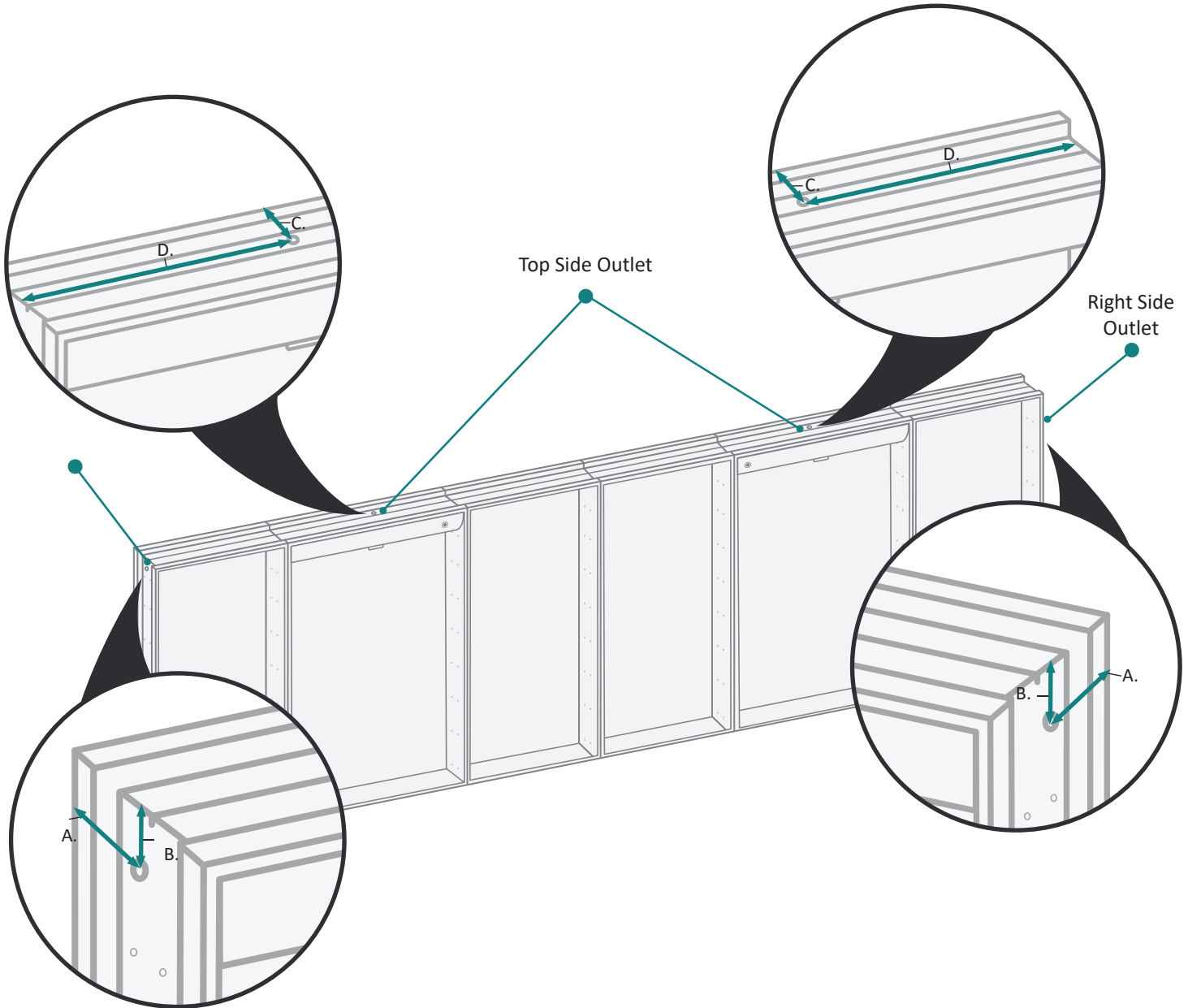


FRONT & BACKS

MODEL	A	B	C	D	E
SVANGE 12036DLLLLRRR	36	120	34-1/2	111	3-7/8

These measurements are for reference, for best results we suggest you measure actual product as small variations in size are possible

RECESS INSTALLATION OPTIONAL ELECTRICAL CORD LOCATIONS



ELECTRICAL CORD LOCATIONS

MODEL	A	B	C	D
SVANGE 12036DLLRRR	1-1/2	1-1/8	1-3/8	11-1/4

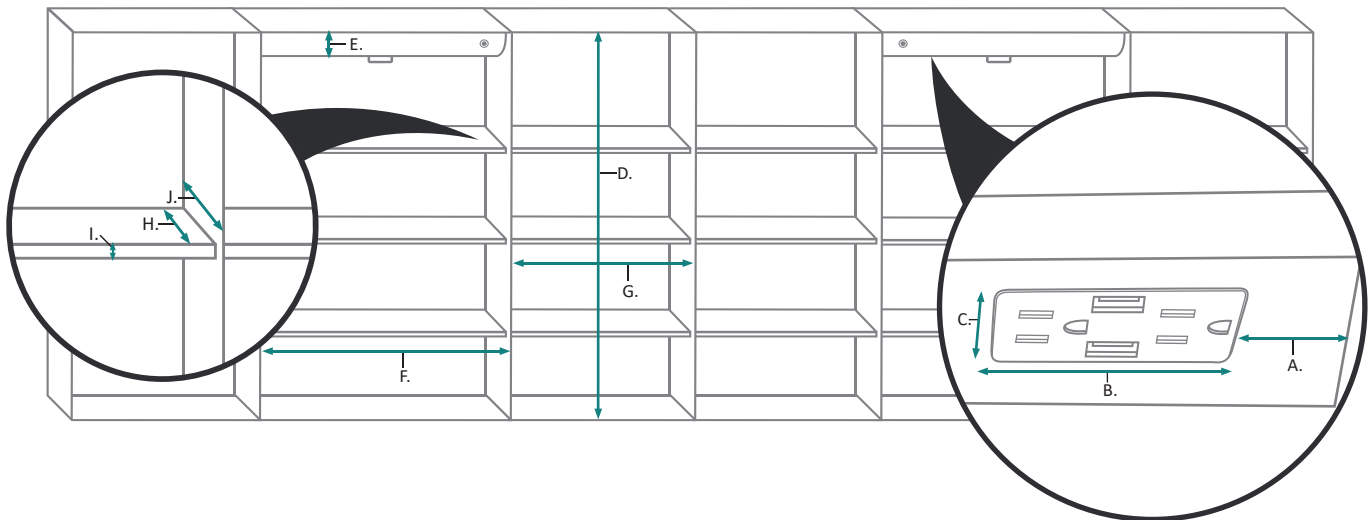
These measurements are for reference, for best results we suggest you measure actual product as small variations in size are possible

SVANGE 12036DLLLLRRR LED Medicine Cabinet - Specification Sheet



DOOR & CABINET

MODEL	A	B	C	D	E	F	G
SVANGE 12036DLLLLRRR	7/8	3-7/8	4-3/4	18	3/8	5-1/4	11-1/4



INTERIOR CABINET

MODEL	A	B	C	D	E	F	G	H	I	J
SVANGE 12036DLLLLRRR	3-3/4	5-5/8	1-1/4	32-1/4	2-1/4	22-1/2	16-1/2	2-3/8	3/8	3-5/8

These measurements are for reference, for best results we suggest you measure actual product as small variations in size are possible