

SVANGE 10236DLLRRR LED Medicine Cabinet - Specification Sheet

Features

- Dimmable LED task lighting
- Integrated touch sensor control with memory
- Energy efficient LED lighting 5000K
- 7440 Lumens
- CRI 90+
- Integrated Defogger

Construction

- Quality polished edge mirror
- Single phase wire installation
- 5 MM Silver Backed Copper Free
- Installation Either Surface Mount
- (Side Mirror Trim Panels included) or Recessed
- Includes installation hardware



Codes/Standards Applicable

- Conforms to UL Std. 962
- Cert. to CSA Std. C22.2 No.250.0-08
- ETL Intertek 5004931

Electrical System

- 120Vac, 60Hz, 55W
- Electric Current: 0.45A
- Wattage: 55W

Model

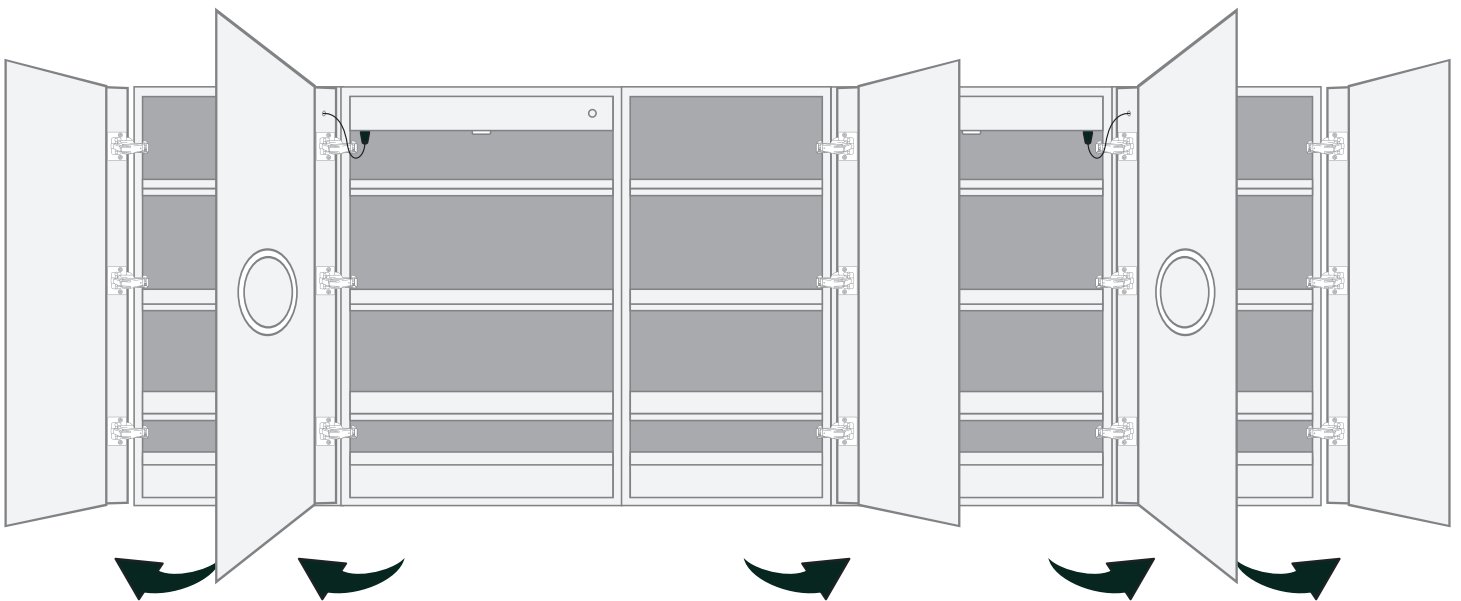
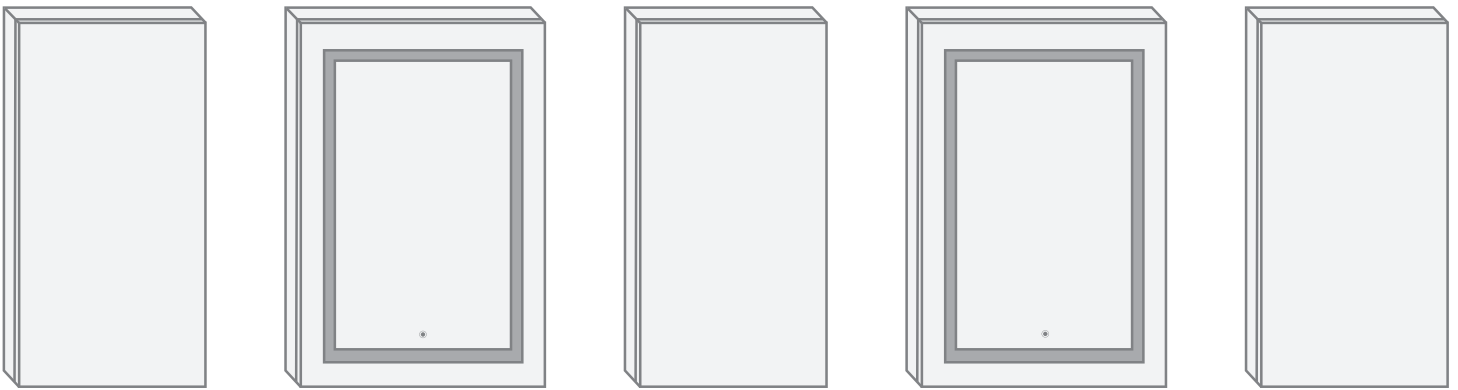
- SVANGE 10236DLLRRR Swinging Door
- Included models in this configuration:
Cabinet 1=1836L Cabinet 2=2436L
Cabinet 3=1836R Cabinet 4=2436R
Cabinet 5=1836

Electrical System

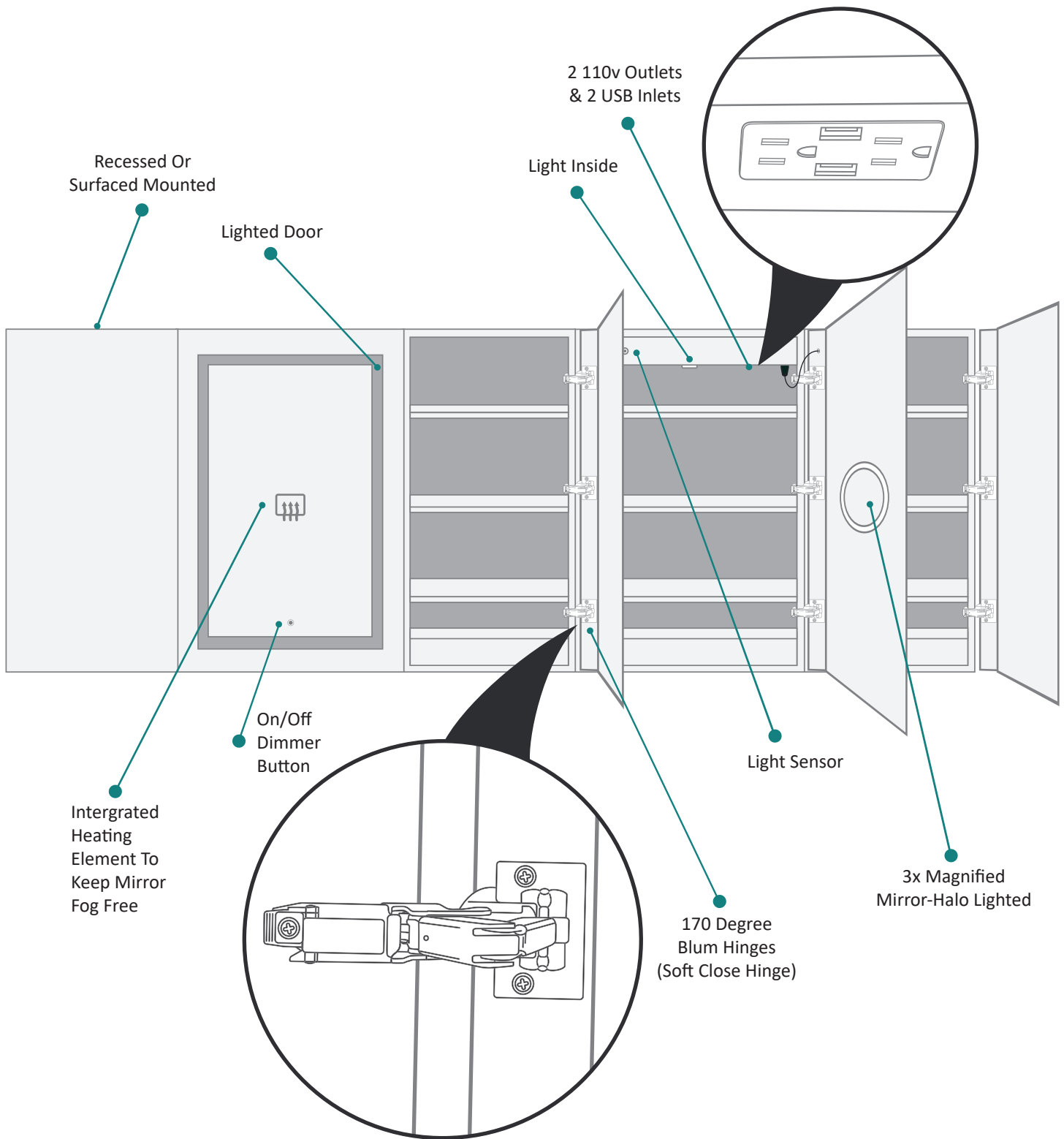
- Performance Requirements: Contains the required
- Supervisory Circuit with the Auto-Monitoring Function as noted by UL 1310
- Input Voltage: Min 112Vac, Nom 125Vac, Max 137Vac
- Frequency: 60Hz
- Front Receptacle Current: 102-132Vac Nominal 15A
- USB Output Current: 5VDC Nominal 4A

CABINET CONFIGURATION

- Included models in this configuration:
Cabinet 1 = 1836L Cabinet 2 = 2436L
Cabinet 3 = 1836R Cabinet 4 = 2436R
Cabinet 5 = 1836R

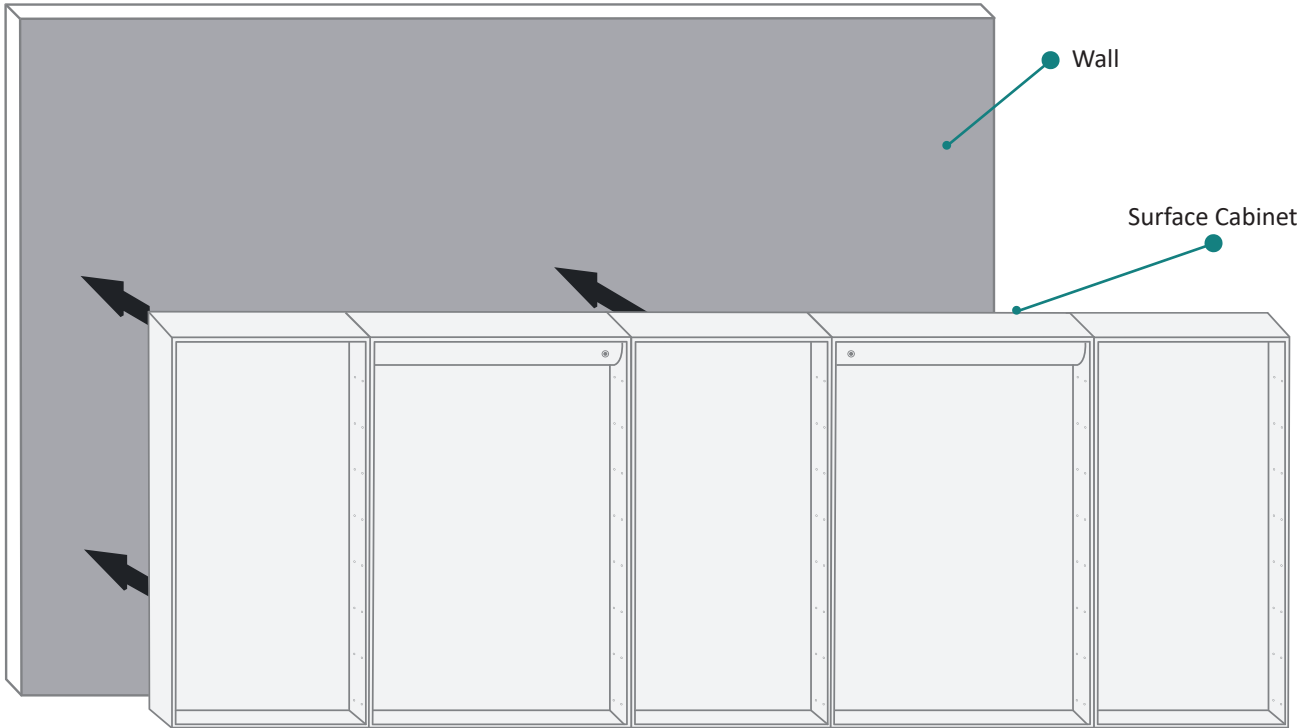


SVANGE 10236DLLRRR Wall Mirror - Specification Sheet

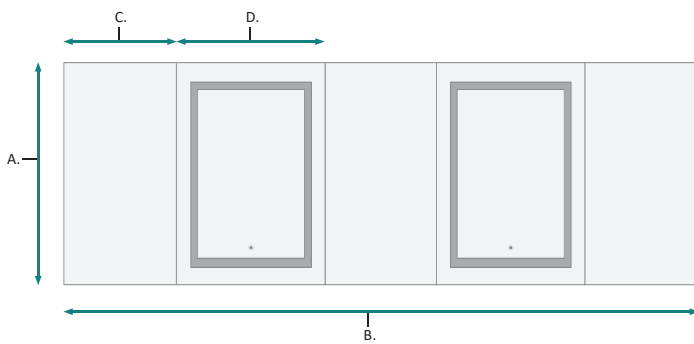


SVANGE 10236DLLRRR Wall Mirror - Specification Sheet

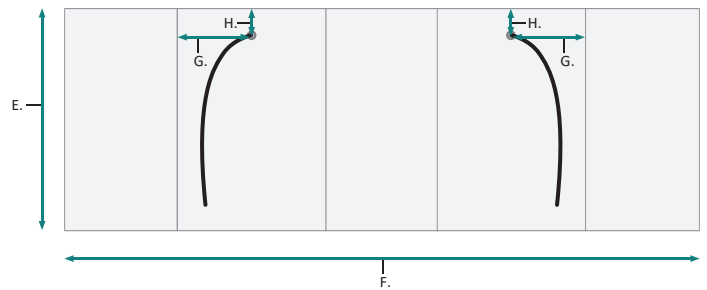
SURFACE MOUNT



FRONT



BACK



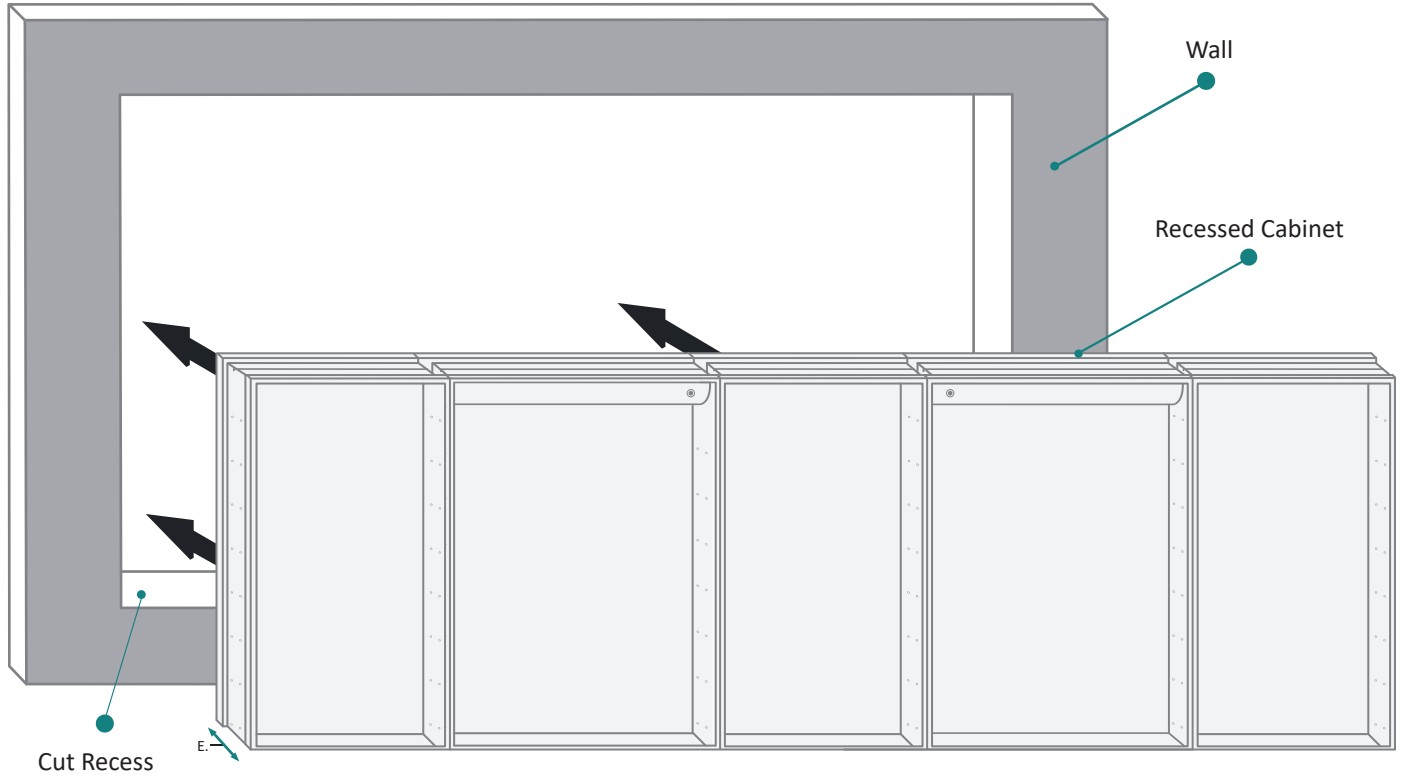
FRONT & BACKS

| MODEL | A | B | C | D | E | F | G | H |
|--------------------|----|-----|----|----|--------|--------|--------|-------|
| SVANGE 10236DLLRRR | 36 | 102 | 18 | 24 | 34-1/2 | 94-1/2 | 11-1/4 | 1-1/8 |

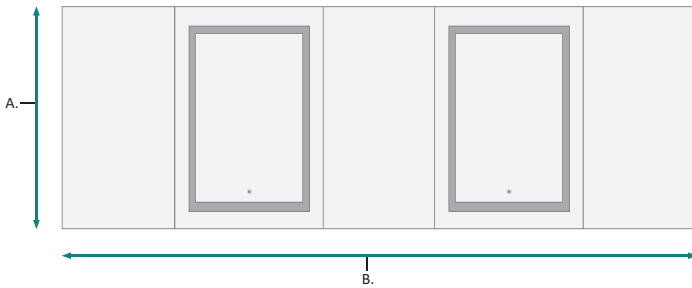
These measurements are for reference, for best results we suggest you measure actual product as small variations in size are possible

SVANGE 10236DLLRRR Wall Mirror - Specification Sheet

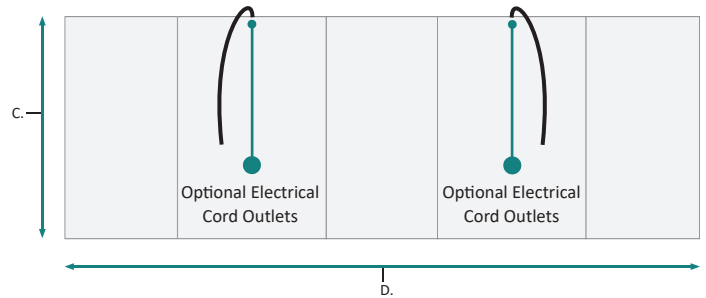
RECESSED MOUNT



FRONT



BACK

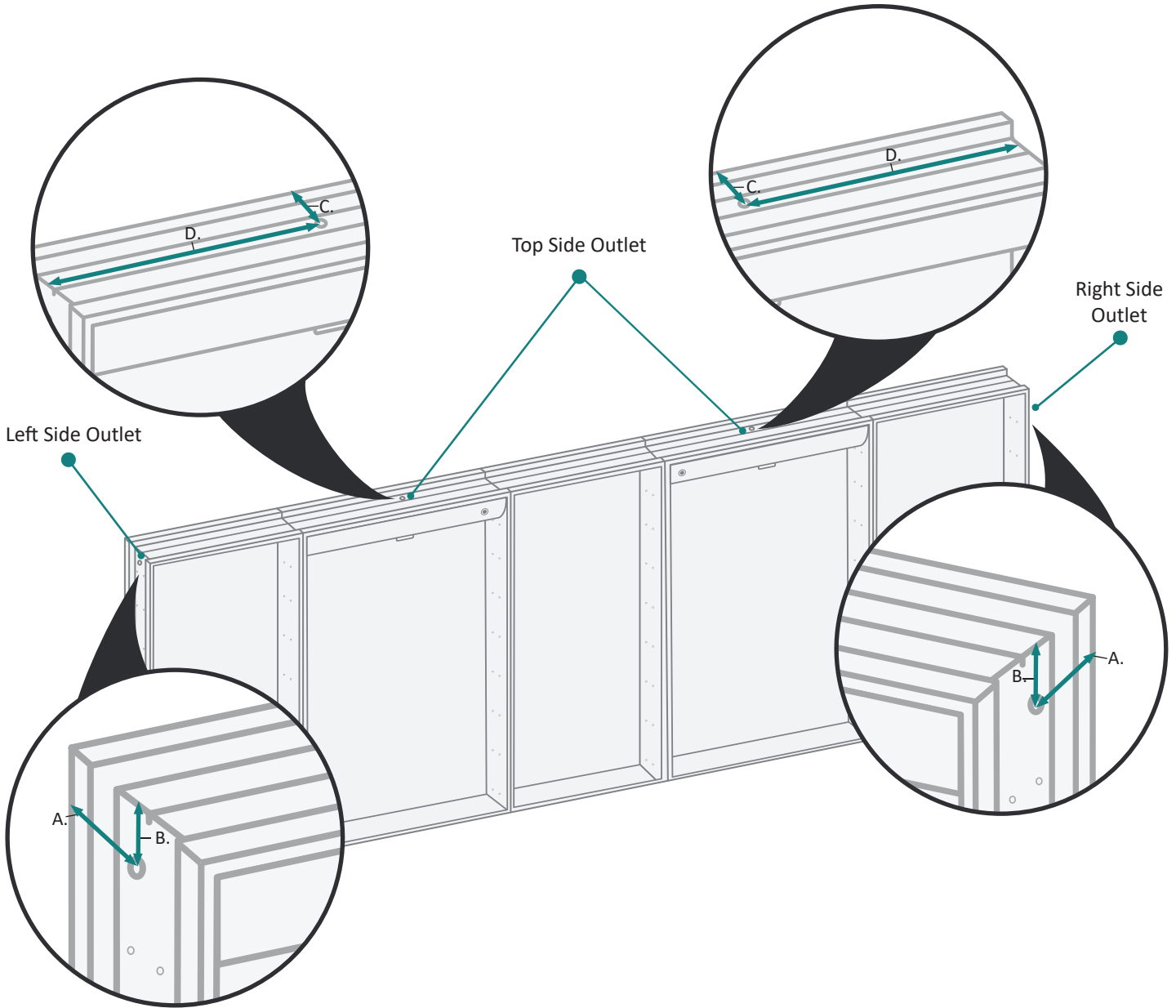


FRONT & BACKS

| MODEL | A | B | C | D | E |
|--------------------|----|-----|--------|--------|-------|
| SVANGE 10236DLLRRR | 36 | 102 | 34-1/2 | 94-1/2 | 3-7/8 |

These measurements are for reference, for best results we suggest you measure actual product as small variations in size are possible

RECESS INSTALLATION OPTIONAL ELECTRICAL CORD LOCATIONS

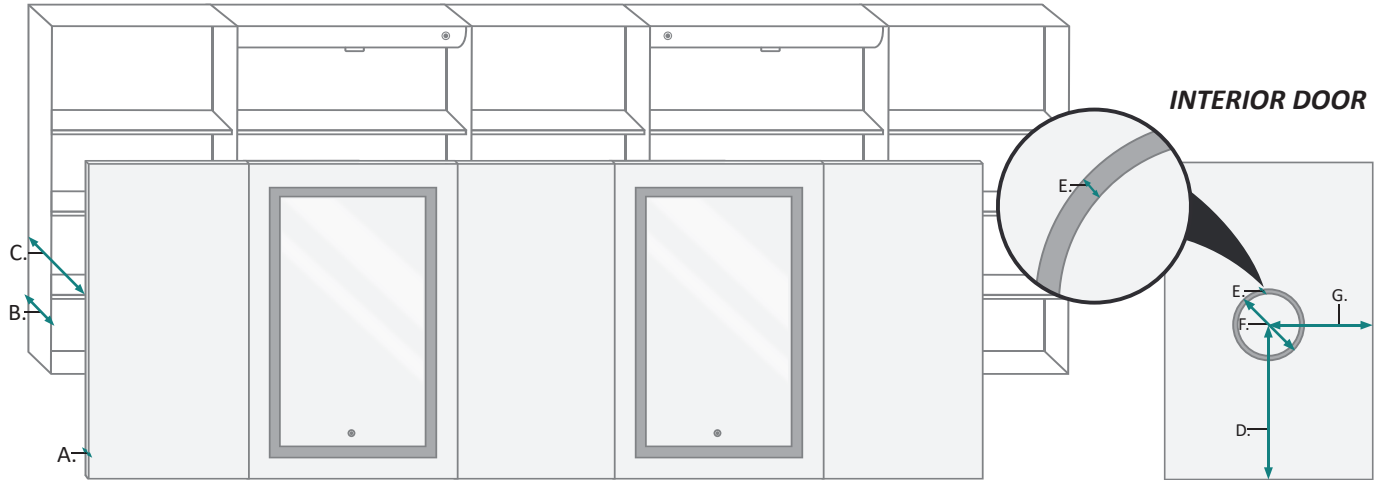


ELECTRICAL CORD LOCATIONS

| MODEL | A | B | C | D |
|-----------------------|-------|-------|-------|--------|
| SVANGE 10236DLLRRR | 1-1/2 | 1-1/8 | 1-3/8 | 11-1/4 |

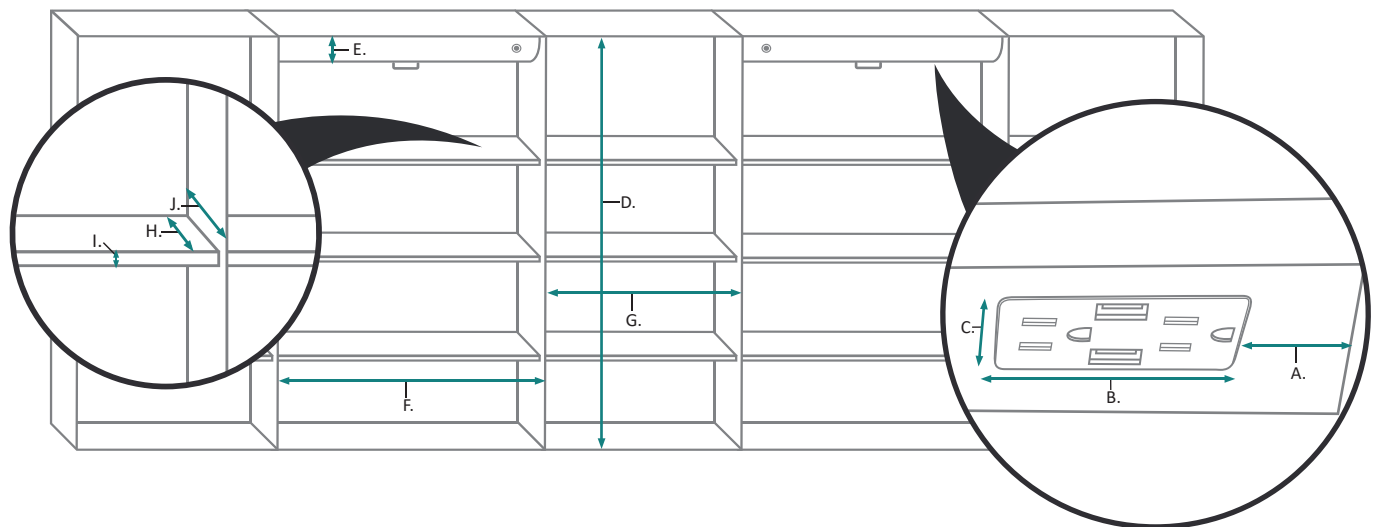
These measurements are for reference, for best results we suggest you measure actual product as small variations in size are possible

SVANGE 10236DLLRRR Wall Mirror - Specification Sheet



DOOR & CABINET

| MODEL | A | B | C | D | E | F | G |
|--------------------|-----|-------|-------|----|-----|-------|--------|
| SVANGE 10236DLLRRR | 7/8 | 3-7/8 | 4-3/4 | 18 | 3/8 | 5-1/4 | 11-1/4 |



INTERIOR CABINET

| MODEL | A | B | C | D | E | F | G | H | I | J |
|--------------------|-------|-------|-------|--------|-------|--------|--------|-------|-----|-------|
| SVANGE 10236DLLRRR | 3-3/4 | 5-5/8 | 1-1/4 | 32-1/4 | 2-1/4 | 22-1/2 | 16-1/2 | 2-3/8 | 3/8 | 3-5/8 |

These measurements are for reference, for best results we suggest you measure actual product as small variations in size are possible