

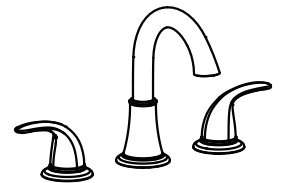
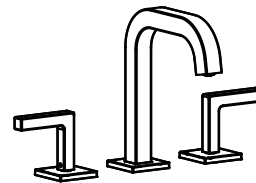
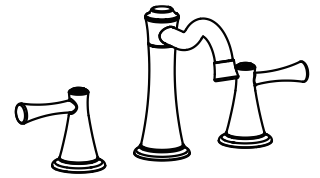
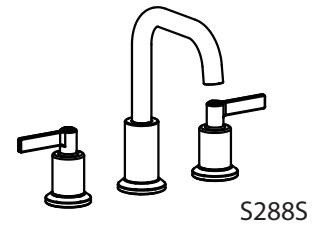
Thank you for selecting our product for your home.

We hope that you are completely satisfied with your purchase. Please read below instructions carefully before installing new faucet.

Two handle lavatory faucet with push-up pop-up drain

Model Number:

S8288-8-PC-W	S8288-8-BN-W
S8288-8-GD-W	S8288-8-MB-W
S8288-8-ORB-W	S8225-8-BN-W
S8225-8-PC-W	S8225-8-MB-W
S8225-8-GD-W	S8518-8-BN-W
S8225-8-ORB-W	S8518-8-MB-W
S8518-8-PC-W	S8223-8-BN-W
S8518-8-GD-W	S8223-8-MB-W
S8518-8-ORB-W	S8227-8-BN-W
S8223-8-PC-W	S8227-8-MB-W
S8223-8-ORB-W	
S8227-8-PC-W	
S8227-8-GD-W	
S8227-8-ORB-W	



Care & Maintenance:

* To keep the product clean & shining, follow the steps below:

1. Rinse with clean water & dry with a soft cloth.
2. Do not clean with soaps, acid, polish, abrasives, or harsh cleaners.
3. Do not use cloth with a coarse surface.
4. Unscrew the aerator and clean when necessary.

* This installation manual is subject to change without further notice.

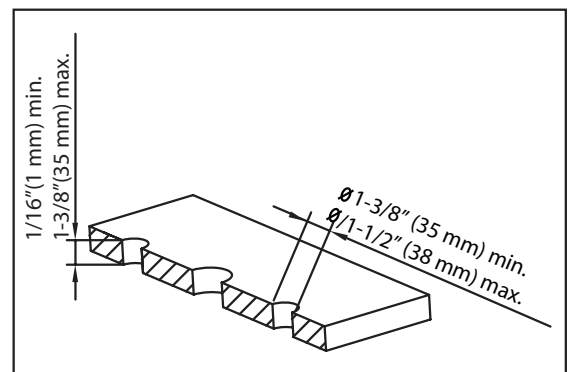
* Please read your care and maintenance documentation to determine the limits of proper use.

* This product has been manufactured and tested to the highest quality standards. We offer our customers thoughtfully crafted fixtures & accessories, engineered for enduring performance over years of use.

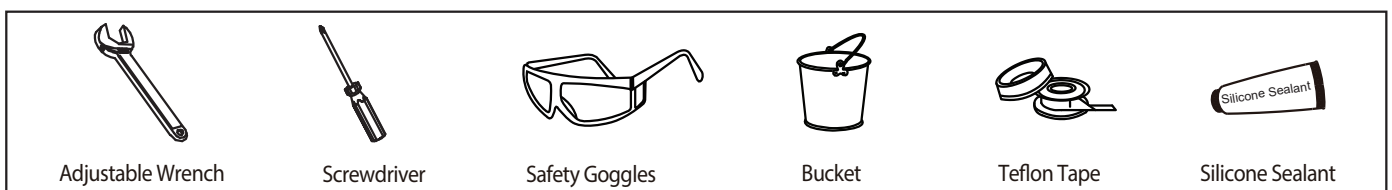


Prior to Installation:

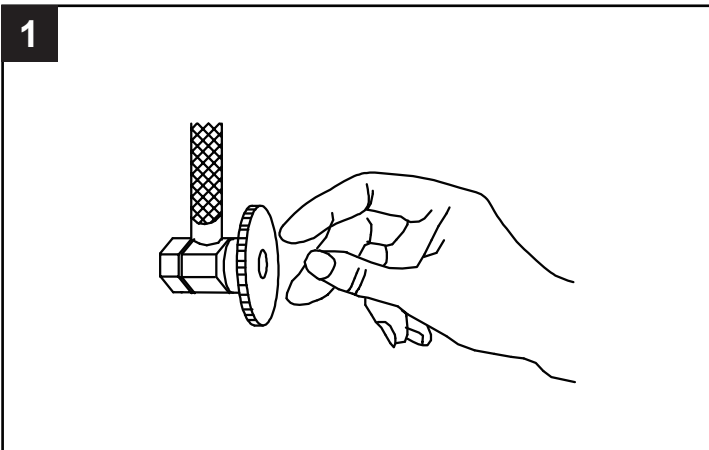
- Turn off the hot and cold water supply at the angle stops and turn on the old faucet to release any built up pressure. Remove existing faucet. Clean sink or countertop to remove any debris, plumber's putty, or silicone.
- Place bucket under angle stops. Turn on to flush any debris prior to installing new plumbing. Shut off angle stops.
- Pre-drilled hole size requirement: 1-3/8" (min) – 1-1/2" (max)
- Max countertop thickness: 1-3/8"



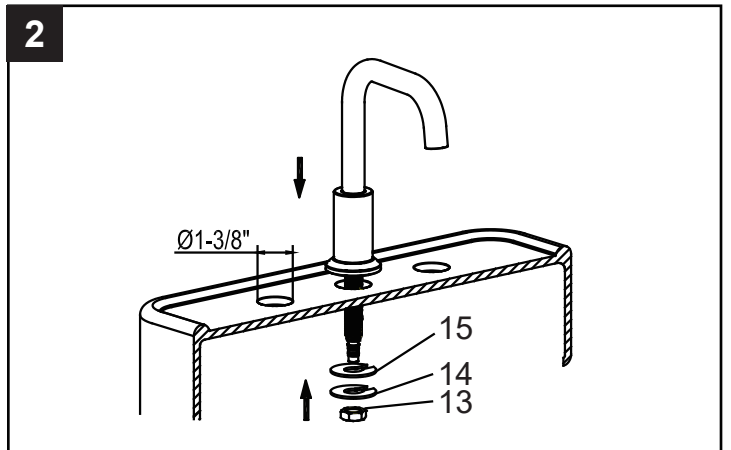
Tools you will need:



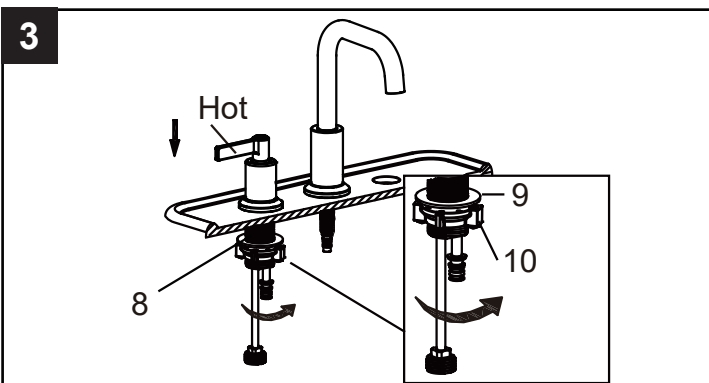
Faucet Installation



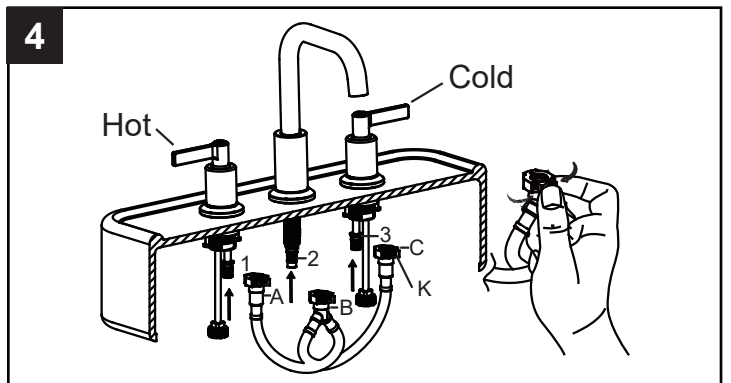
1. Shut off water supplies. Remove old faucet. Clean sink surface in preparation for new faucet.



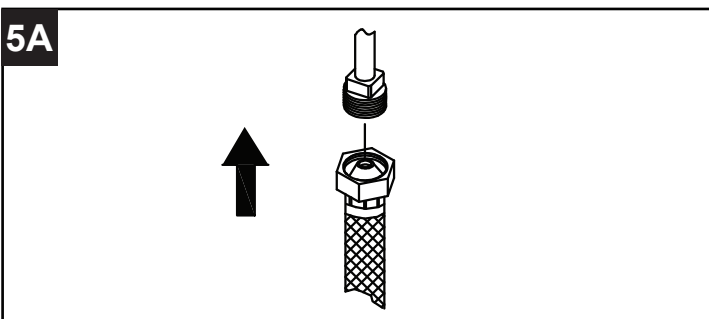
2. Place the spoutthrough center hole (The hole diameter should be 1-3/8") of the sink. Under sink, secure firmly to sink with rubber washer(15), metal washer(14) and nut(13).



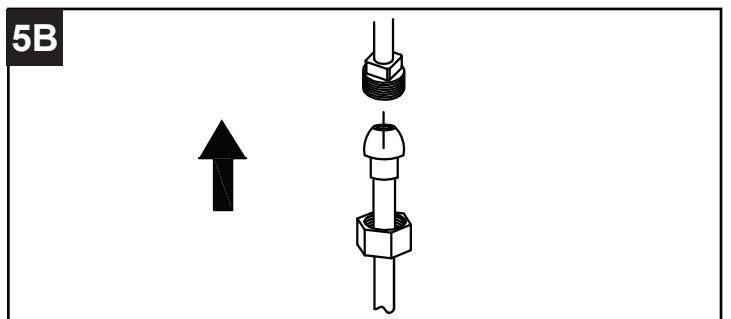
3. Insert the Valve body assembly(8) with the hot supply label on the left (hot) side. Hold the body in the proper position. Assemble metal washer(9) and mounting nut(10) onto body underside of sink, tighten it with the locking screws.



4. Align the blocks (1, 2, 3) and tabs (A, B, C) to the quick connect (K). Push the quick connect (K) firmly upward and snap onto the blocks (1,2,3). Pull down moderately to ensure each connection is secure. If it is necessary to remove the x-over hose, press on the tabs (A, B, C) and pull the quick connect (K).

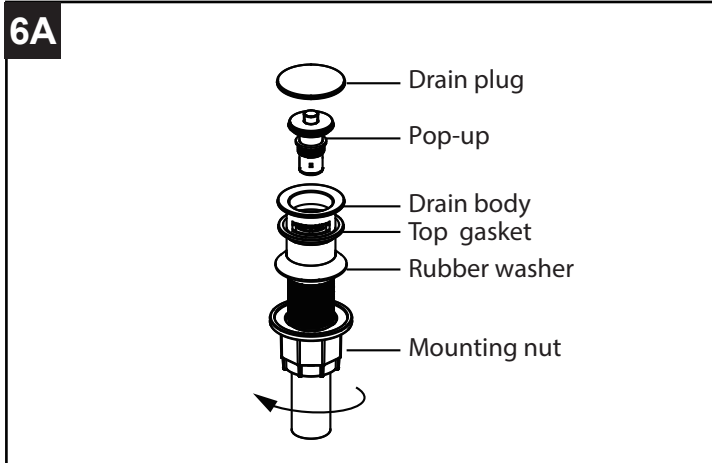


5A. Stainless steel Braided Faucet supply Tubes: This is the simplest of all installations. If you are using stainless steel braided faucet supply tubes, this faucet requires one end of the supply tube to have a 1/2" female IPS connection. The other end of this supply tube must match the thread on the water supply fittings or shut off valve under your sink. Once you have identified the required tube, carefully follow the manufacturer's installation instructions for each tube.

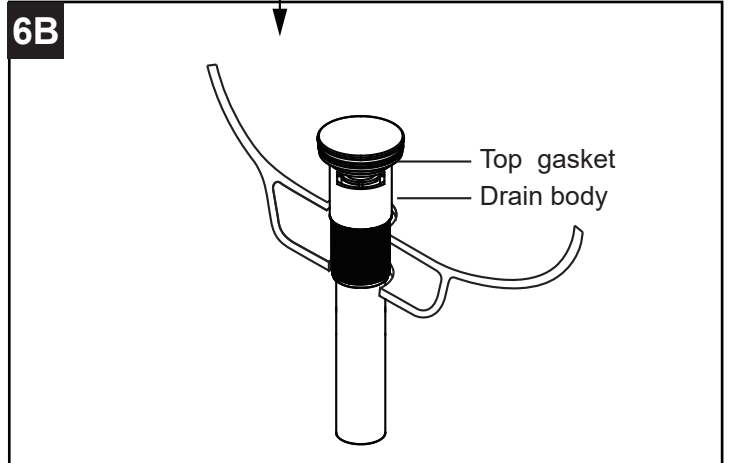


5B. Ball Nose Flexible Supplies: If you are using ball-nose flexible supplies to connect the faucet to water supply lines; Slip coupling nut behind ball-nose of flexible supply tube. Ball nose coupling will go partially into IPS shank or fitting. Tighten coupling nut (DO NOT OVER TIGHTEN). Install opposite end according to manufacturer's instructions for both tubes.

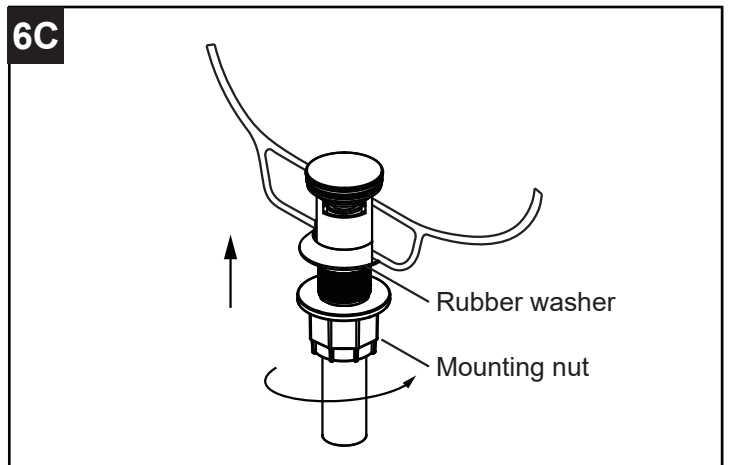
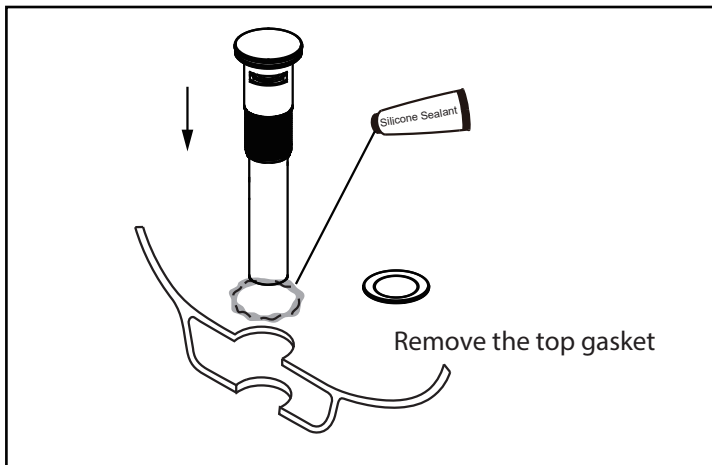
Pop-up Drain Installation



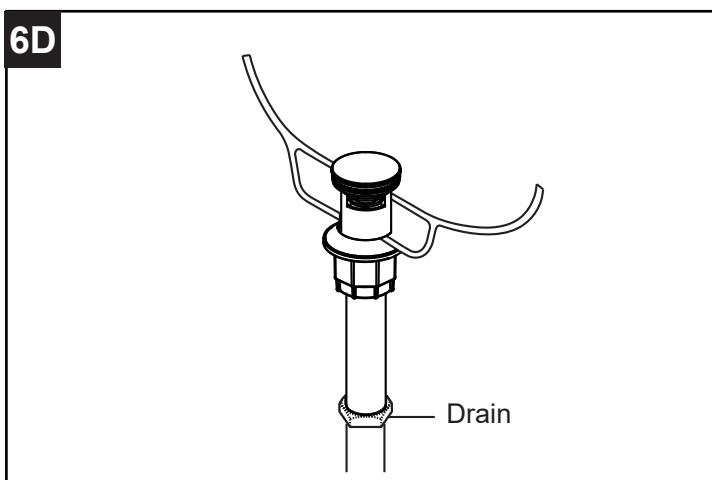
6A.NOTE: Check that you have the appropriate drain for your sink. * If you are installing this pop-up in a sink that has an electronic faucet, please use plastic tailpiece.



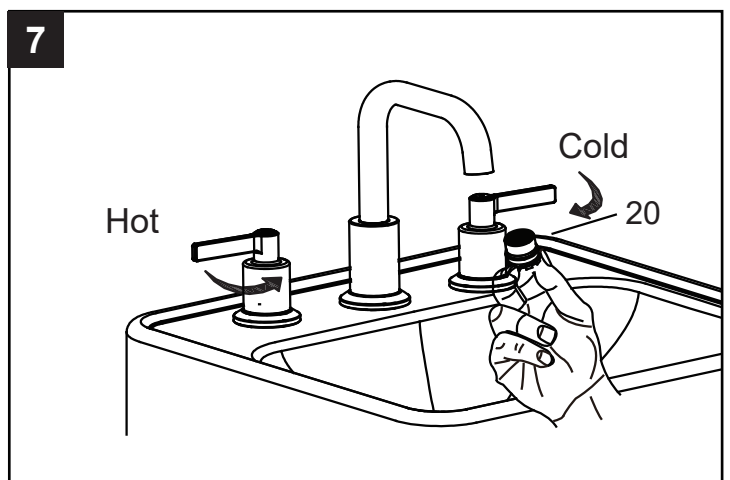
6B.Insert body into sink. If you wish to use silicone as a seal, remove the top gasket and apply silicone to underside of drain body. Otherwise, leave gasket in place.



6C.Apply silicone grease to the inside diameter of the rubber washer and threads on drain body and assemble. Install mounting nut and hand tighten to the sink.



6D.Connect assembly to drain.



7.Loosen aerator with wrench or coin. Remove aerator(20). Turn water on for 1 minute to remove any debris.

Trouble-Shooting

If you have followed the instructions carefully and your faucet still does not work properly, take the following corrective steps:

PROBLEM	CAUSE	ACTION
Aerator drips or has inconsistent water flow pattern	Aerator may be dirty or not seated properly	Unscrew aerator with aerator key and clean out debris
Drain is leaking	Washers may be compromised or installed incorrectly	Check washers to make sure they are installed correctly and not cracked

Exploded Drawing RP(Replacement Parts)

NO.	Description
1	Index H&C
2	Screws
3	Handles
4	Inverter H&C
5	Bonnet
6	Flange
7	Ceramic cartridge
8	Valve body assembly
9	Metal washer
10	Mounting nut
11	X-Over hose
12	O-Ring
13	Nut
14	Metal washer
15	Rubber washer
16	Spout seat
17	Ring
18	O-Ring
19	Spout
20	Aerator
21	Push-up pop-up Drain

