

INSTRUCTION MANUAL

 SAUNA ROOM

MODEL:WS-1103

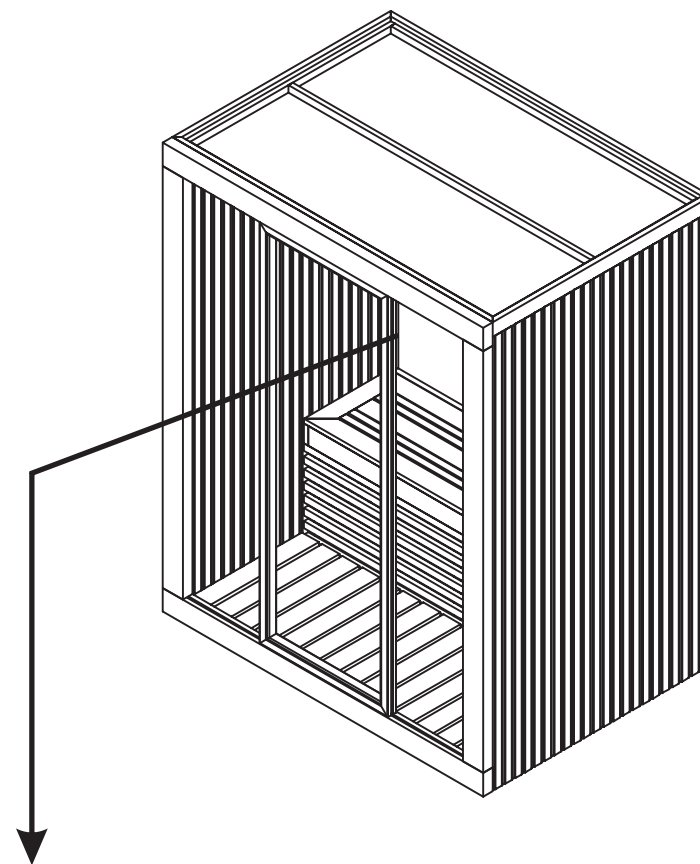
- No advanced advice will be submit before we change our design and size.
- The pictures may be a little different from the real products.
- Our company keep the final explanation right.

ATTENTION

1. Users should read through this manual before assembly and use.
2. The product must install a reliable earth line and electricity leak protection.
3. Users should install power supply according to actual condition.
4. Patients with hypertension or drunk are not permitted to use this products.
5. Adult guidance is necessary for children or under age to use sauna.
6. Corrosive liquid are not allowed to bring into the room.
7. Sauna room must not over working for long time. The heat pipe may damage of long time heating.
8. Our company would not take responsibility if the product is damaged but caused by violating the normal operating procedures.
9. When the product is discarded, please deal with it according to local law.

TECHNICAL PARAMETERS

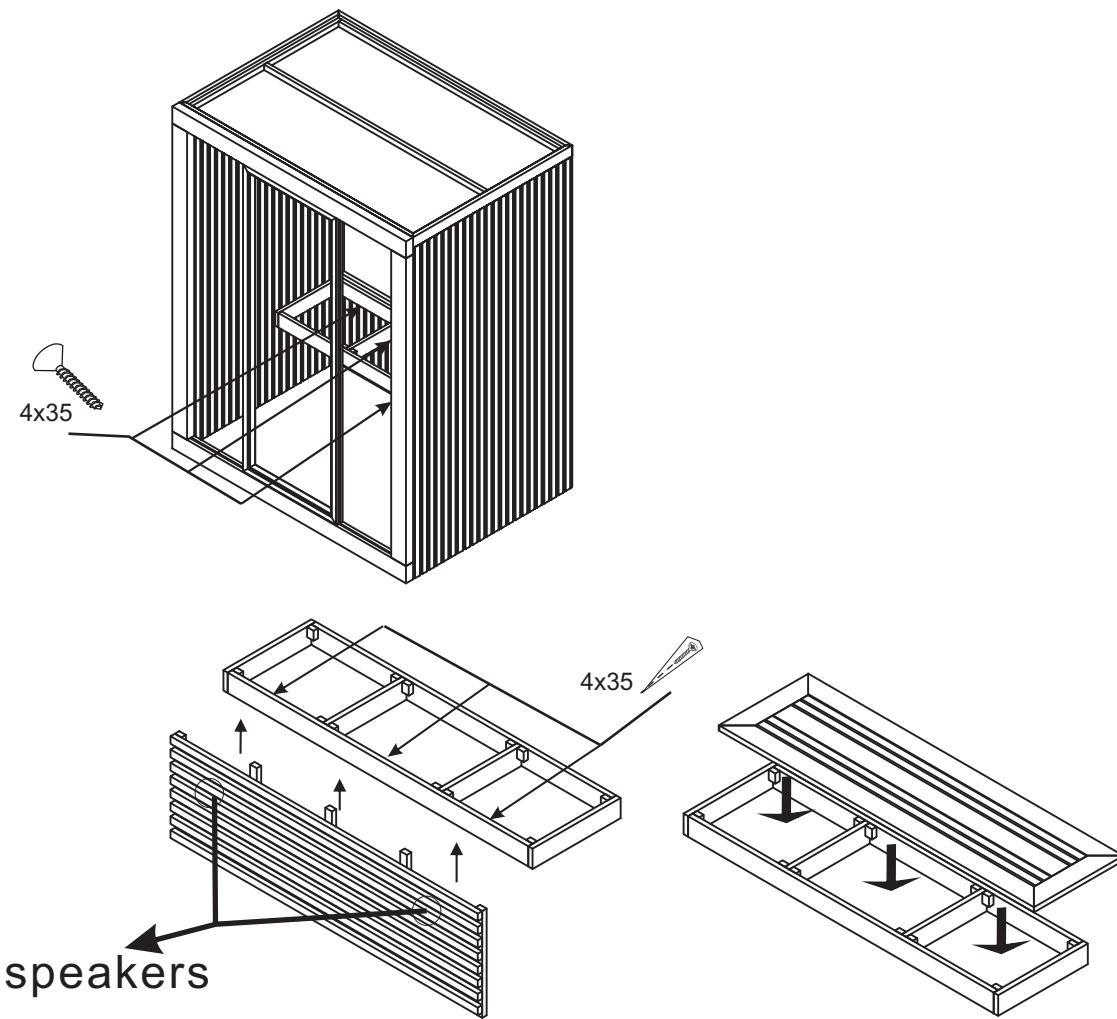
1. rated voltage: AC220V±10% 50Hz/60Hz
2. Power of Sauna heater: 3000W
3. Size: 1800X1050X1900mm
1500X1050X1900mm
1200X1050X1900mm



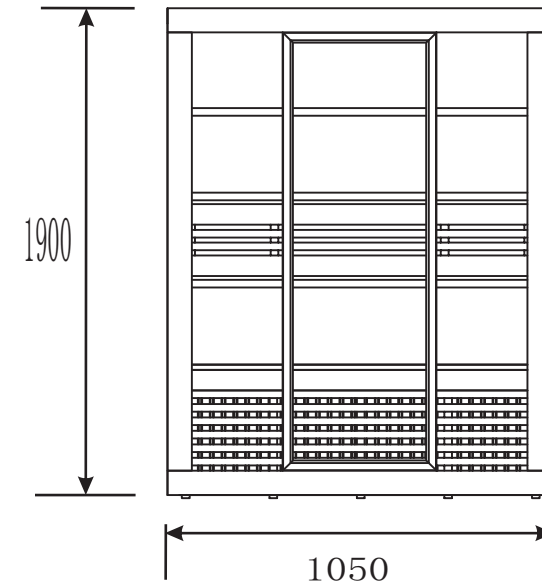
7. The position of this seat back board can be adjusted by user.

8. Finish the installation.

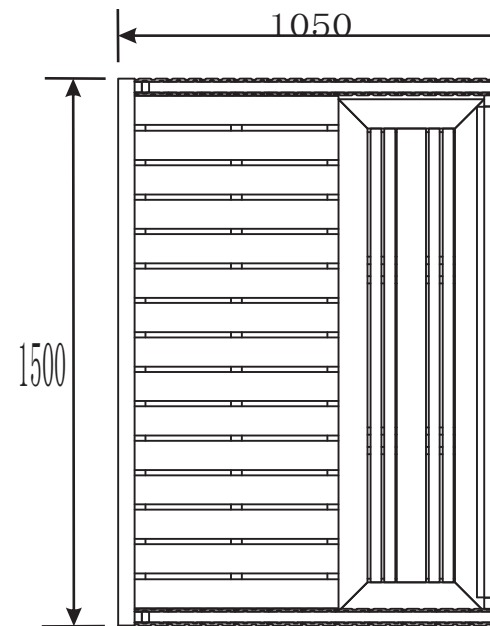
The assemble will takes around 2-3 hours and need 4 people to install the sauna room.



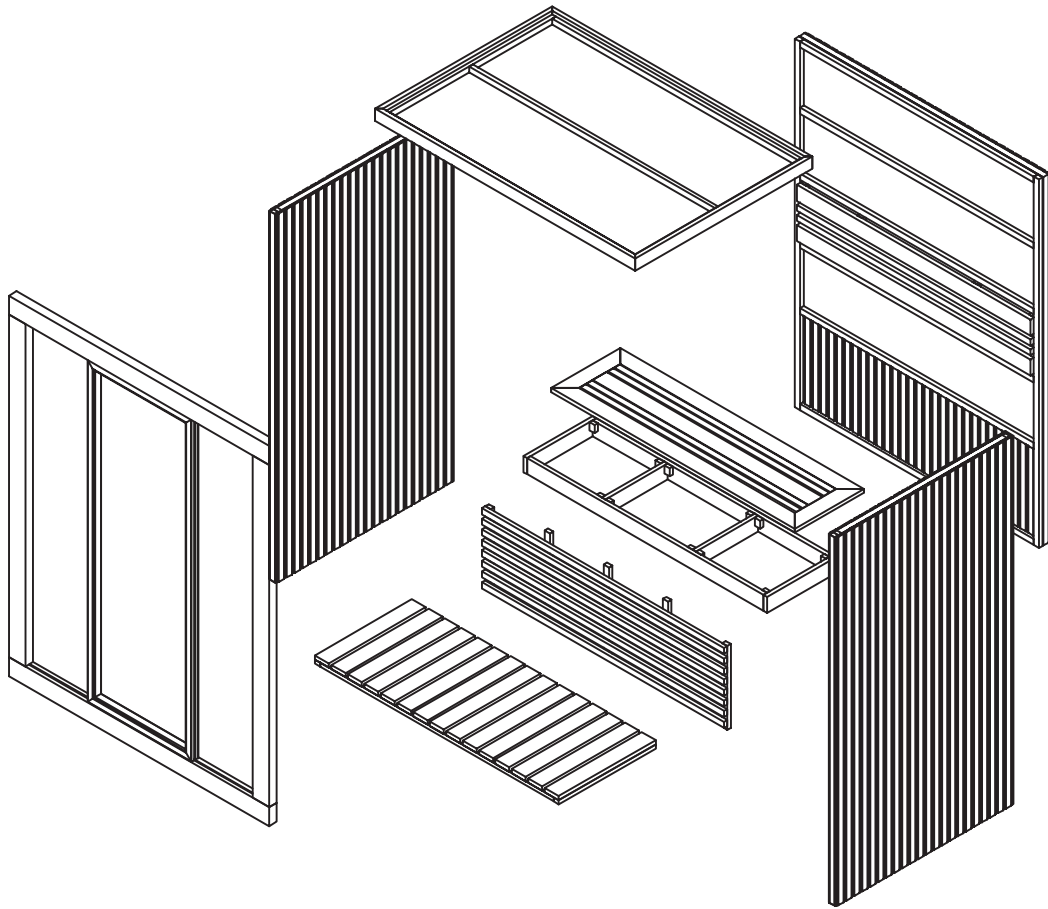
6. Seat installation. Lock the seat frame & seat back fence by screws. Put it in the seat place . The whole seat frame should be on the same horizontal line. Install 2 speakers at the back side of seat back fence (as drawing). After that, lock the whole part on the back board. (in package top board & seat board & its support)



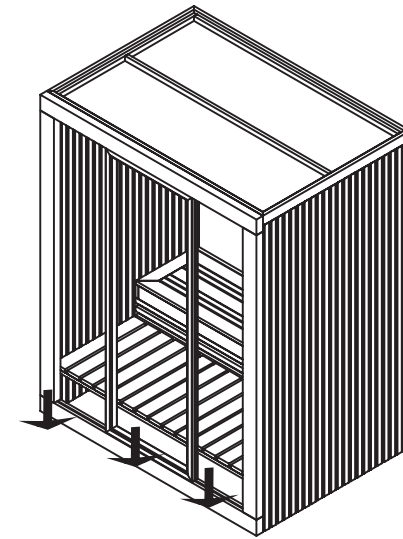
front view



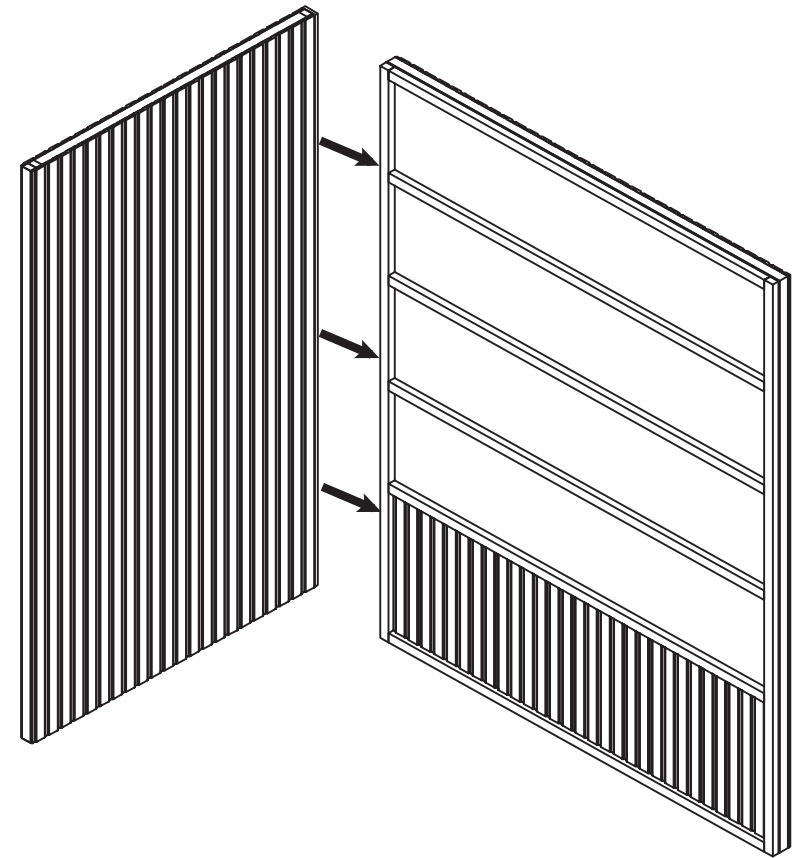
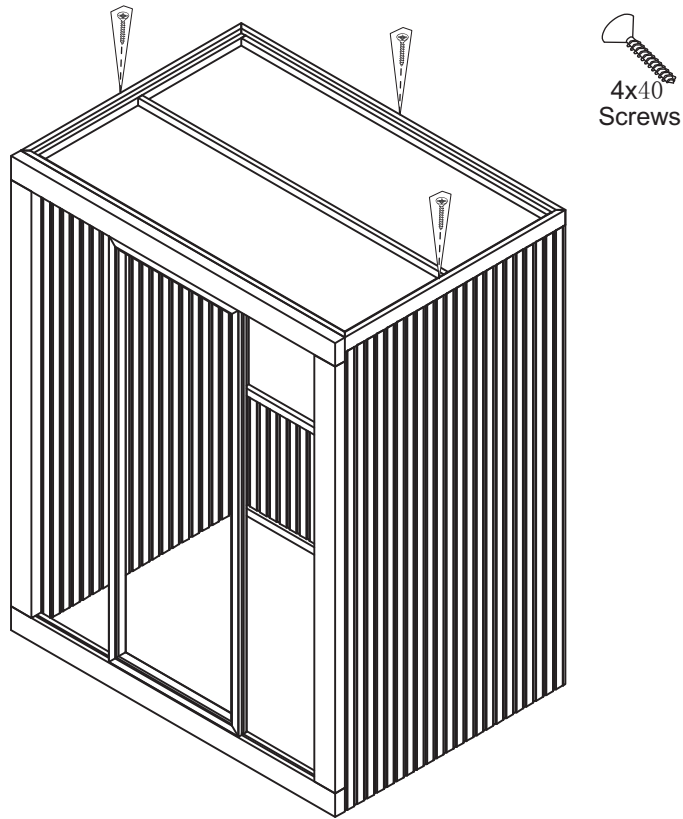
plamform



After U disassemble the 4pcs package, U will see many pieces & U need to divide them avoid making mistake.

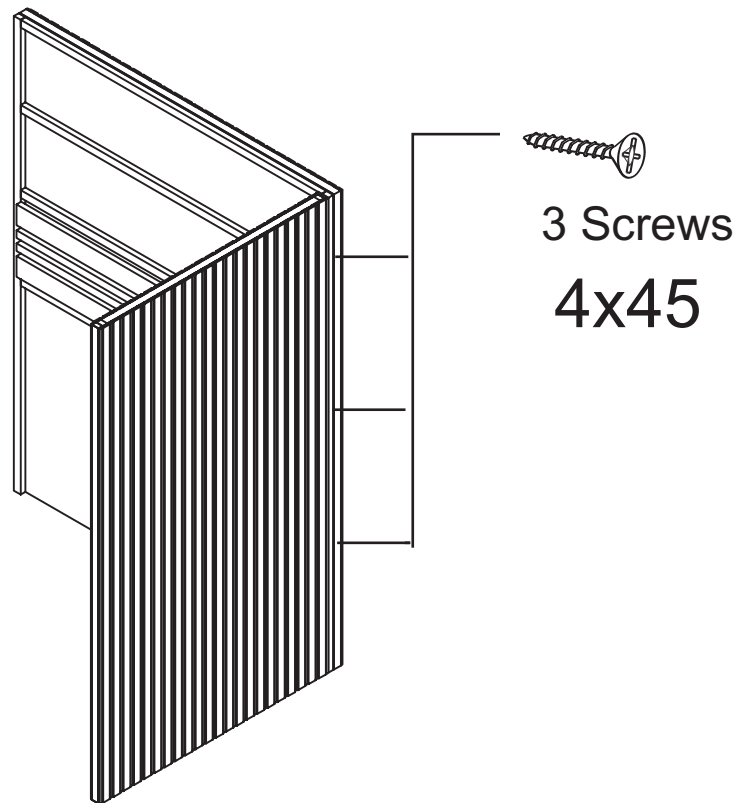


5. Put the foot plates on the bottom frame in parallel way. Pls make sure all the angles are consistent and locking tightly. (in package top board & seat board & its

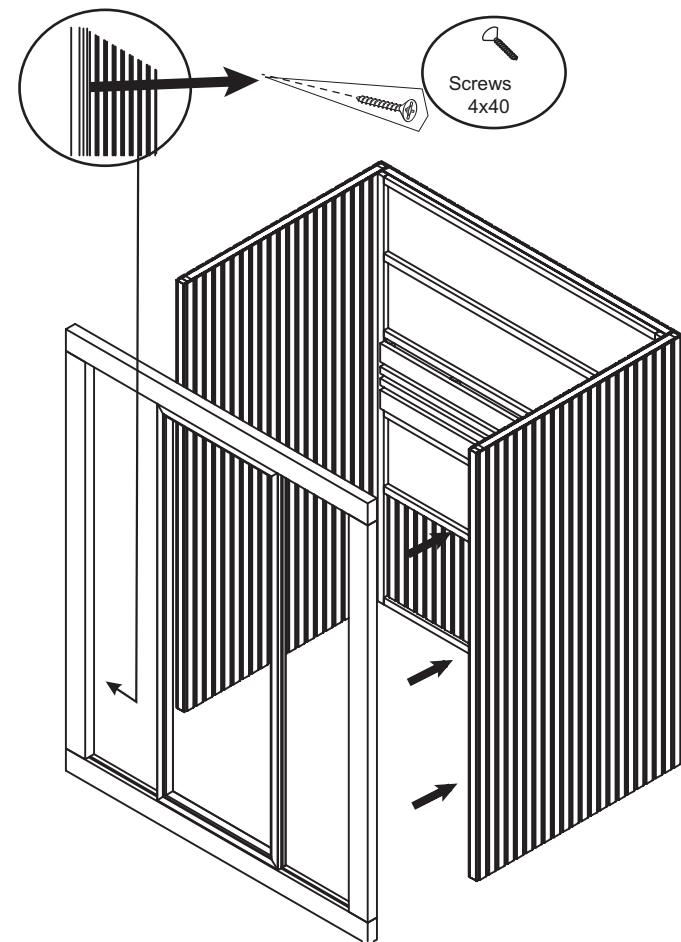


4. Put the top cover on the sauna room. (in package bottom frame & top board) There are corresponding holes for the top leds & explosion-proof light wires. Pull them out from the holes. After that, check whether all the angles & position of the top board are correct , and lock the corresponding part in the top board. (in package top board & seat board & its support)

1 Firstly , U need to fix the left back board , right back board & back board (in package side board , fore & back board package) near where U want to located the sauna room . Due to its heavy weight , it is difficult to move it again after the installation . After the 3 pcs back board standing up , pls. lock them by screws .



2. It is better to put sauna room near the wall . Before U move the unfinished sauna room to the wall ,pls install the electric box on the board firstly (SAUNA STOVE PACKAGE) . U will find a hole on the board and the electric box wire will go through it & connect to the power socket. Pls connect the electric box to the power, then move the part sauna room to the right place.



3. After fixed 3 pcs back boards, fix the front glass door in the sauna room. Once all the angles & position of the glass door are right, lock the screws on the glass door & left, right back boards. (in package fore & back board)