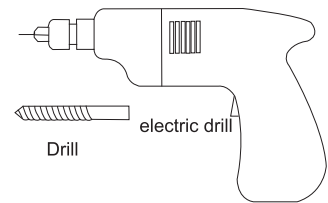
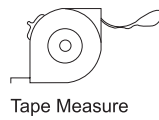
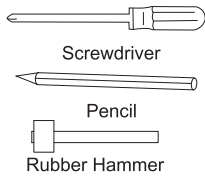


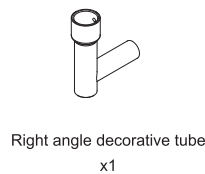
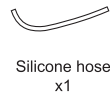
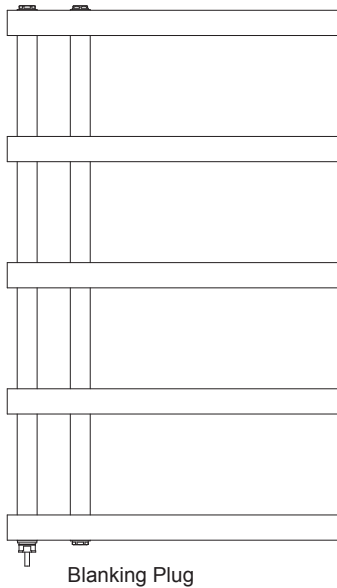
Towel Rail Installation

- Read the instruction sheet carefully before installation.
- Installation should be completed by a professional electrician.
- Please dispose the package properly.

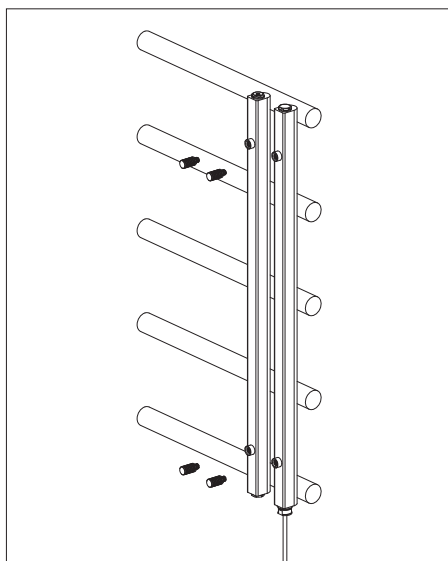
tools required



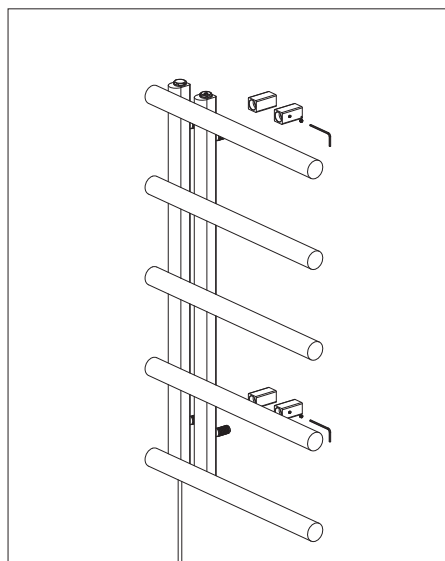
Blanking Plug Airvent



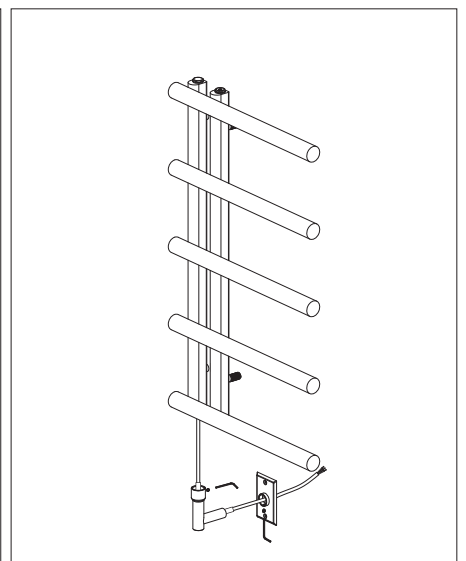
| | | |
|--|----------------------------|----|
| | Masonry Screw (St4.8*60) | x4 |
| | Anchor (Φ8*60) | x4 |
| | Fixing Bracket (50*24.5) | x4 |
| | Wall Support Core (φ16*37) | x4 |
| | Allen Wrench (S2.5x60) | x1 |
| | Masonry Screw (St4*30) | x2 |
| | Anchor (Φ8*36.5) | x2 |
| | Cone Point Set Screw M5 | x5 |
| | Flat End Screw M5 | x1 |



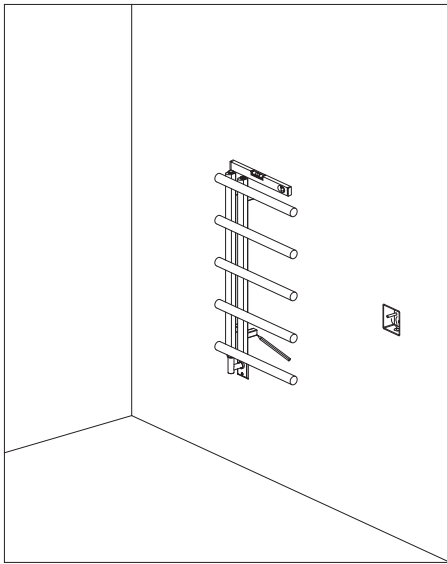
Step1. Put the wall support core into solid fixing lug.



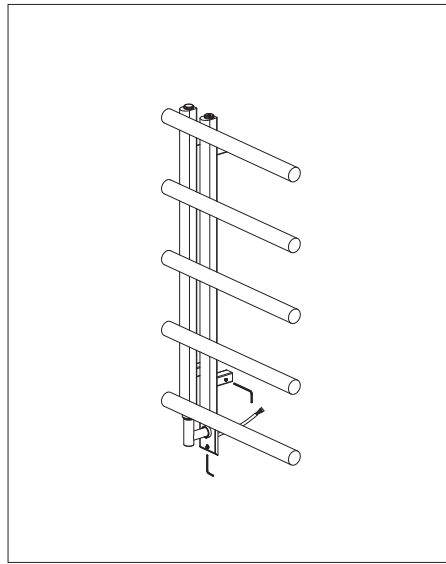
Step2. Use screw fixed wall support core to fixing bracket.



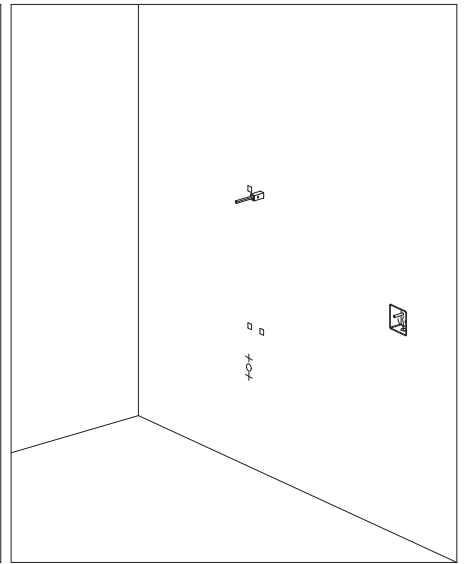
Step3. Get the electric wire through silicone hose and right angle decorative tube and then decorative cover. Tighten the tube and element first, then tighten the tube and decorative cover with allen wrench.



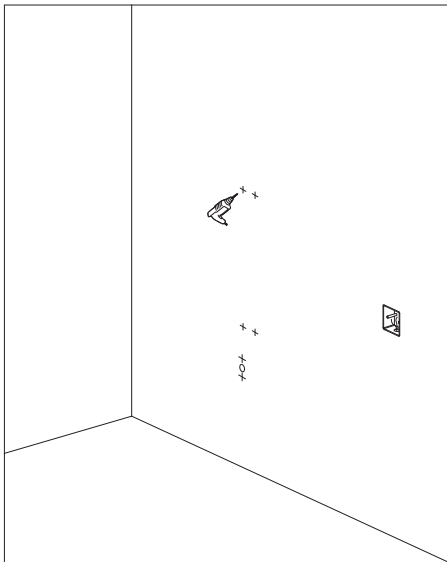
Step4. Position the towel rail and the decorative cover in desired location. Check for level with the spirit level and mark four equal positions for the brackets with a pencil.



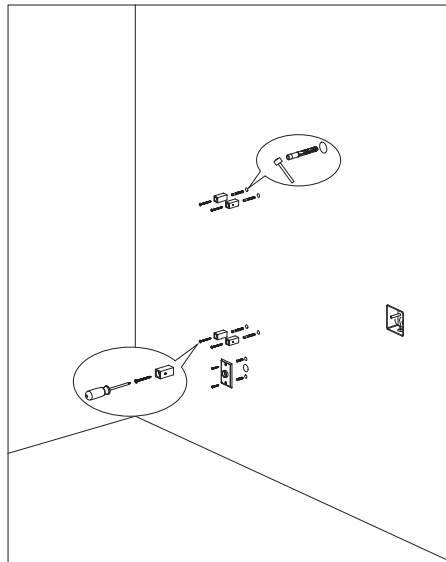
Step5. Unscrew the decorative cover and fixing bracket.



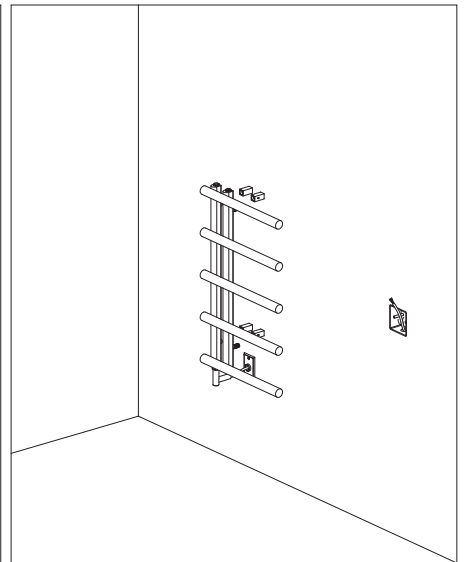
Step6. Use pencil and braket to mark a central point on the wall.



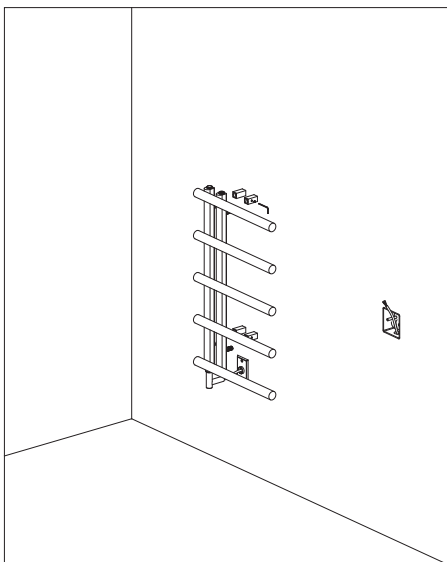
Step7. Drill holes in wall.



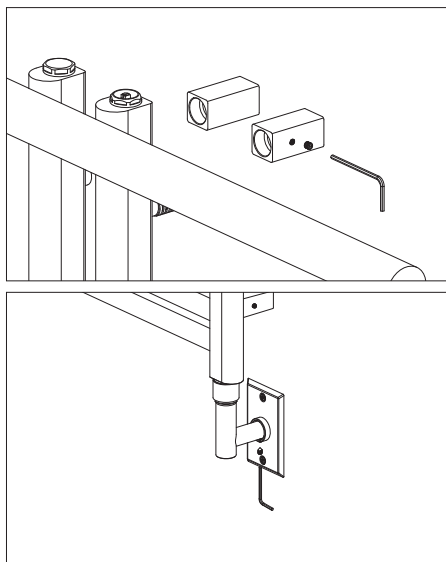
Step8. Insert the anchors to the holes with a rubber hammer and fix the fixing brackets and the decorative cover to the wall with masonry screws.



Step9. Get power line through the line pipe installed beforehand.



Step10. Install towel warmer on the wall and secure the fixing brackets with screws. Use allen wrench to fasten the round decorative tube and the decorative cover.



Step11. Connect the wiring with junction box.