

PRODIGY

ADVANCED SMART TOILET

Getting Ready To Install

A - What is my rough-in?

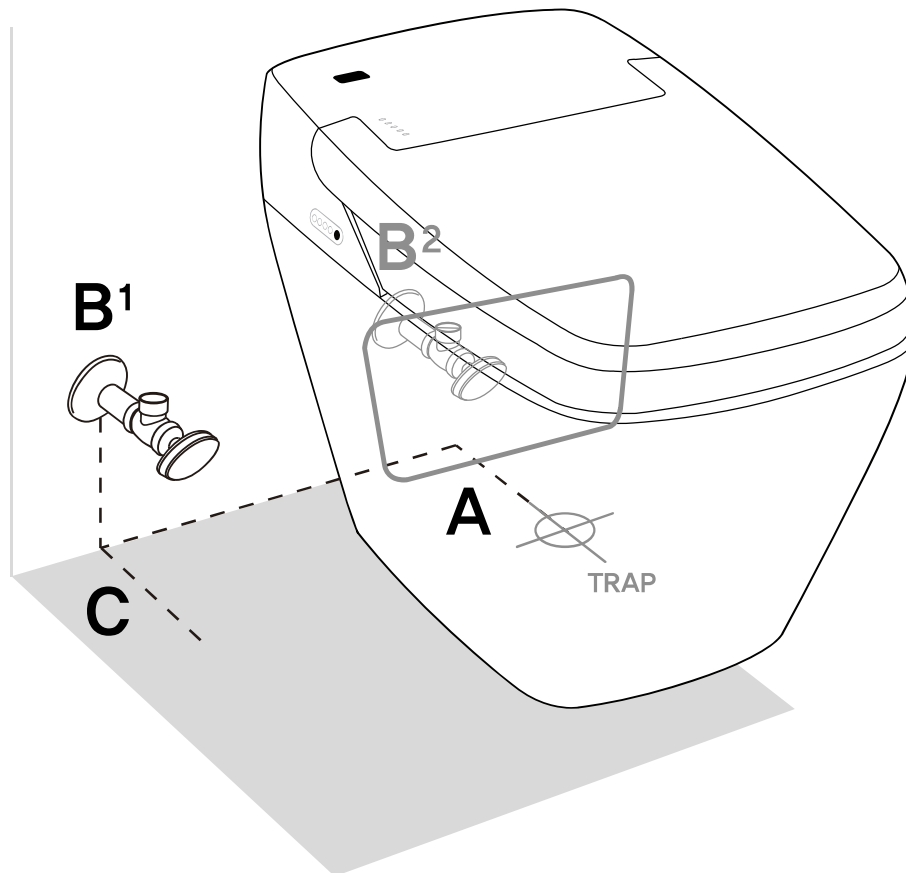
12" from the wall to the center of the toilet trap.

B - Where is my shutoff valve?

Type B1 - The shutoff valve will be positioned outside of the toilet base if it is more than 6.25" from the center of the trap when measured along the wall.

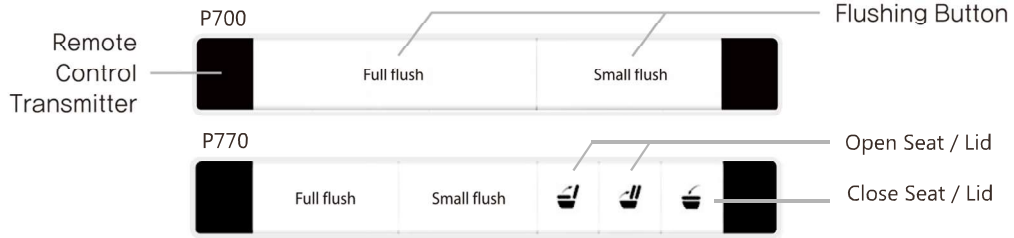
Type B2 - The shutoff valve will be positioned inside the toilet base if it is less than 5".

C - *If the shutoff valve is positioned between B1 and B2, it must have a depth of less than 4" to allow for proper installation.*

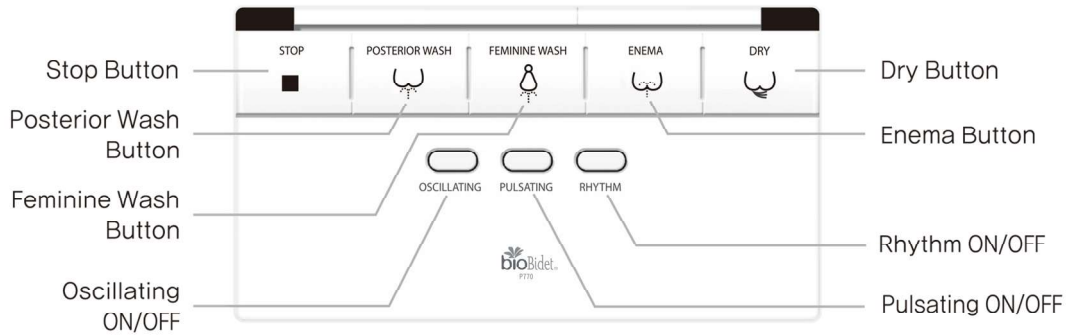


Quick Guide

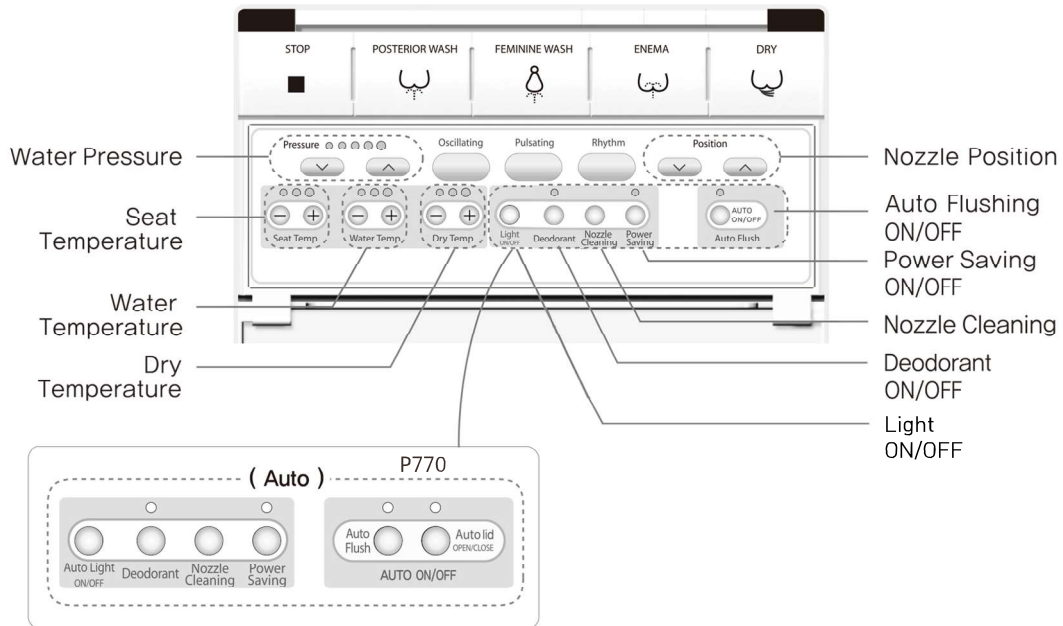
< TOP >



< COVER CLOSE >



< COVER OPEN >



Seat & Water Temp

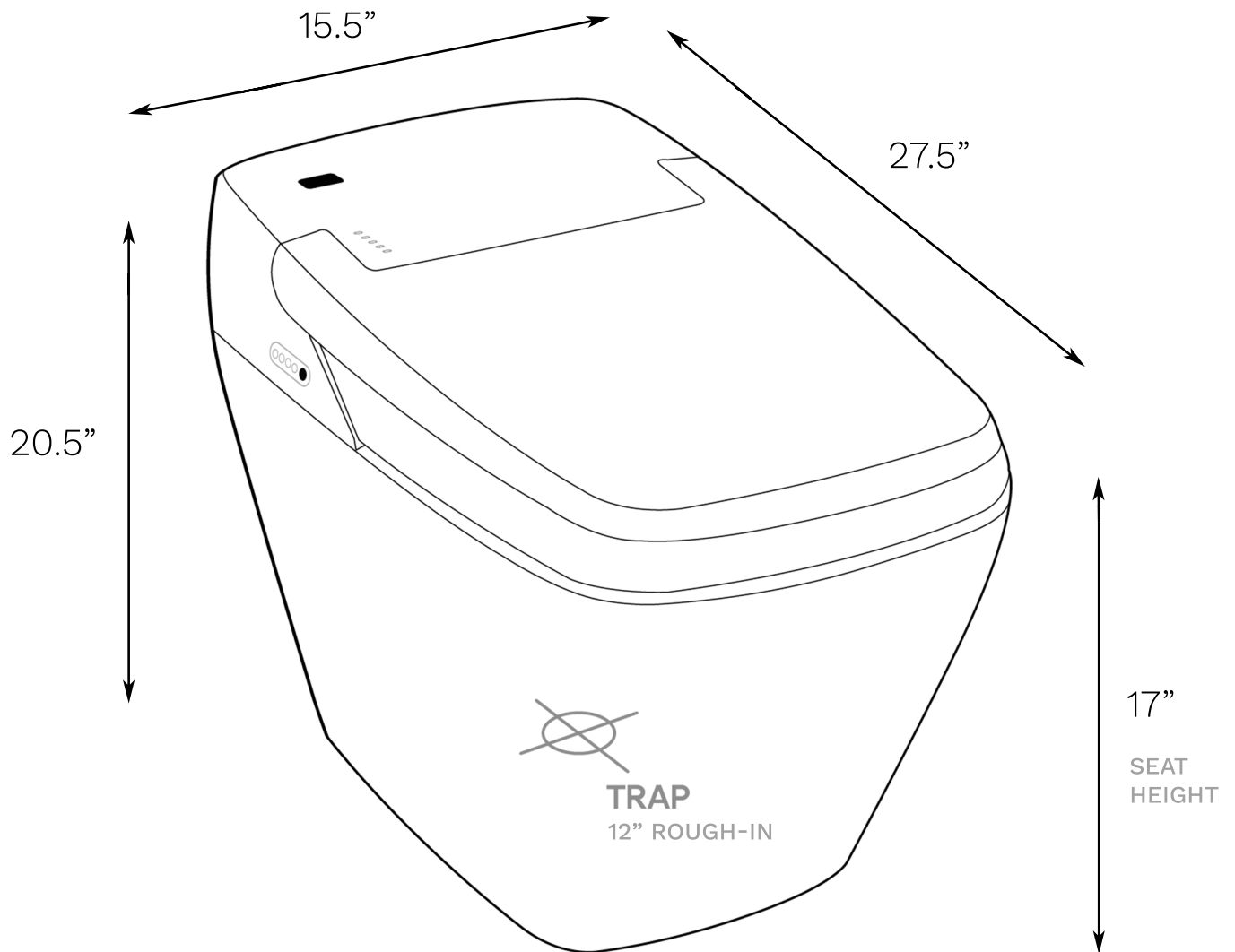


PRODIGY

ADVANCED SMART TOILET

PRODIGY

ASSEMBLED DIMENSIONS



SEAT LENGTH 17"
SEAT WIDTH: 15"

SEAT OPENING LENGTH: 12.5"
SEAT OPENING WIDTH: 8"

PRODIGY

BASE CUTOUT DIMENSIONS

