

# Roma

PTXRMA6228

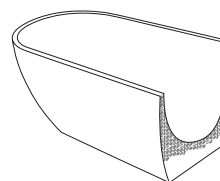
62¼" L x 28¾" W x 25¼" H

1 other size available

PTXRMA6728 66⅞" L x 28¾" W x 26" H



Tub Finish	<input type="radio"/> White Gloss
Drain Finish	<input type="radio"/> Glossy White
Material	Acrylic
Slope of Backrest	129°
Water Depth	13¼"
Capacity	48G
Weight	92.6lbs
Shipping Weight	112.4lbs

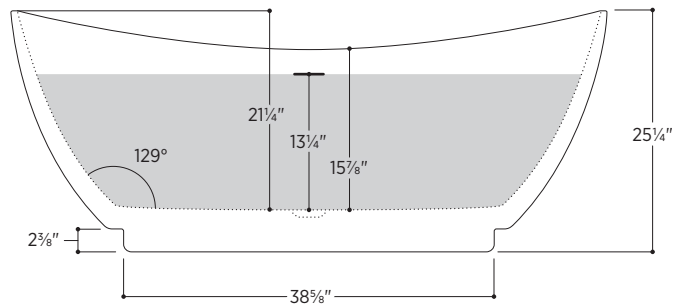
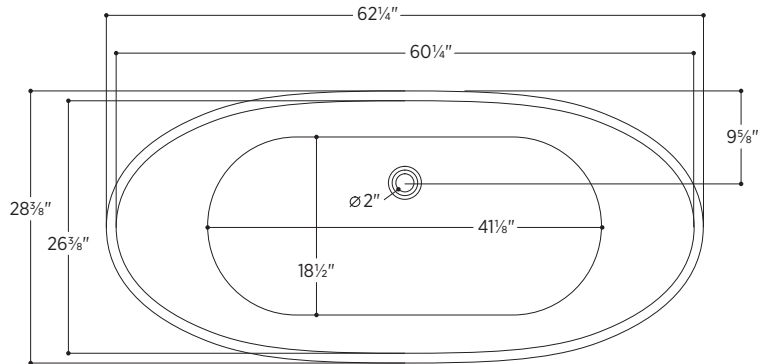


#### **Foam Insulation** *optional*

- Foam gives an added layer of solidity to the tub
- It reduces the noise level when filling
- It keeps the water warm longer

# Roma

PTXRMA6228



All measurements are approximate and for comparison only. Please note that these dimensions and specifications are subject to change without notice.

Install this product according to the installation guide. Floor support under bath must provide for a minimum of 995lbs. Installation may vary. Our products must be installed by certified professionals only and according to our installation guide, as well as federal, provincial/state and local building codes and regulations.

Codes/Standards Applicable:  
Meets or exceeds ANSI/ASME standard Z124.1.2  
and CAN/CSA B 45 requirements  
IAPMO/UPC/cUPC

5 Year Warranty for Residential Use

