

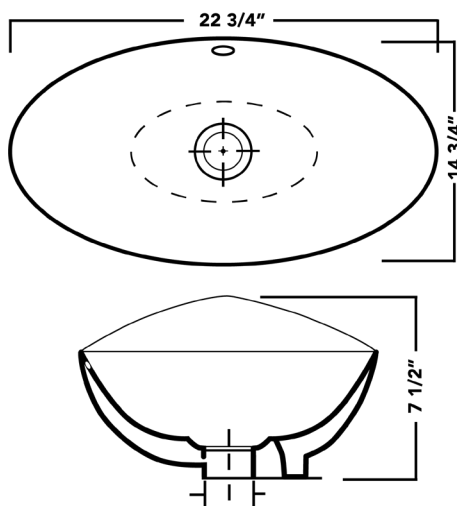
Shell Series
PELICAN INT'L
PORCELAIN SINKS



PL-3002

Also known as ceramic or vitreous china, the PL-3002 porcelain vessel sink is comprised of a tough material that is made by heating specific types of refined clay.

Its typical white translucent color is formed when the molded fixture is fired at a high temperature. Its surface is non-porous, giving you the highest-quality porcelain sink.



SPECS

EXTERIOR: 22 3/4" x 14 3/4" x 7 1/2"

INSTALLMENT: Vessel

COLOR: White

DETAILS

PART: _____

QTY: _____

PROJECT: _____

CONTACT: _____

DATE: _____

NOTES: _____

APPROVAL: _____

The Shell Series Porcelain sinks carry a limited lifetime warranty for as long as the original purchaser owns the home the sink was originally installed in.

