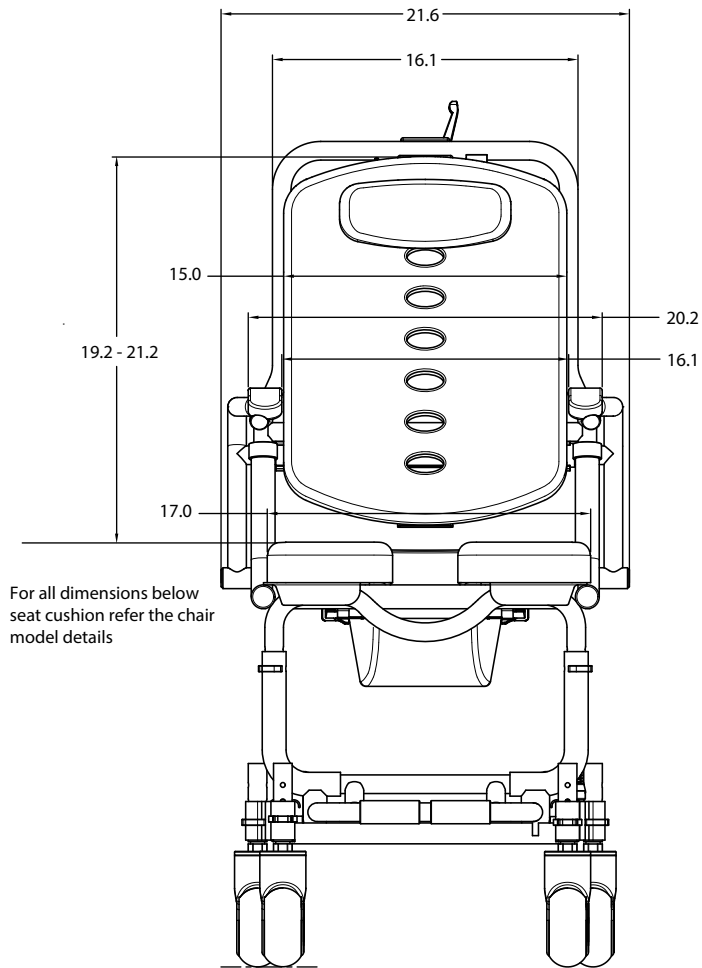
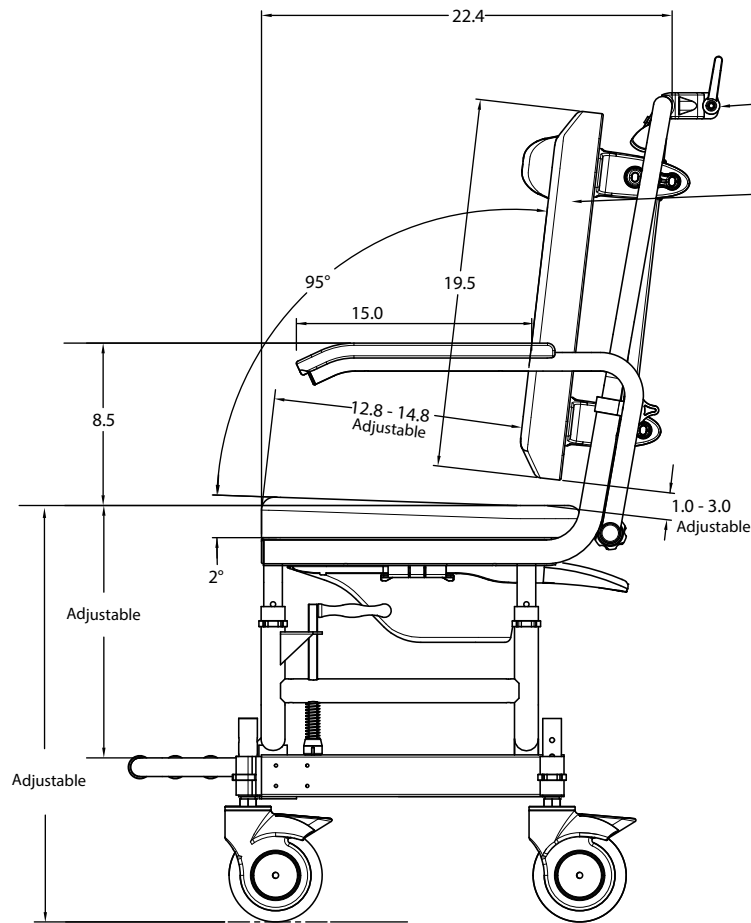


# P2

Dimensions = Inches



For all dimensions below seat cushion refer the chair model details

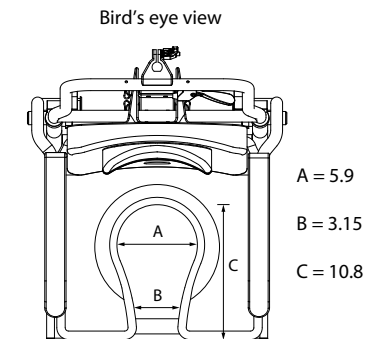


NOTE: neck rest Accessory [NRA] can be fitted

angle adjustable  
84.5° / 93° / 101.5°

depth adjustable  
12.8 / 13.8 / 14.8

height adjustable backrest  
1.0 / 2.0 / 3.0



Petite Buddy P2 shown fitted on SB1 chair base

Suitable for

✓SB1 ✓SB2 ✓SB2t ✓SB3t