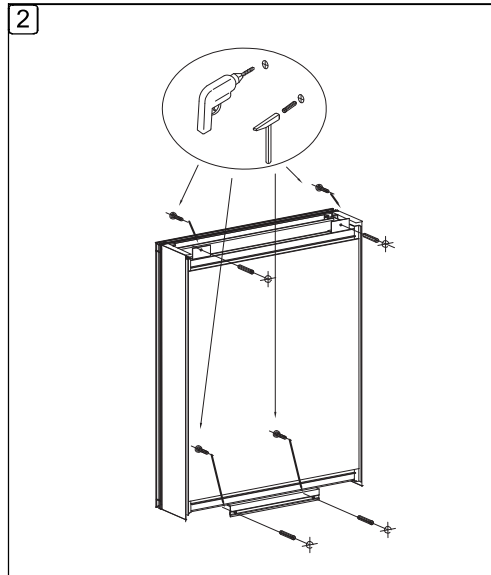
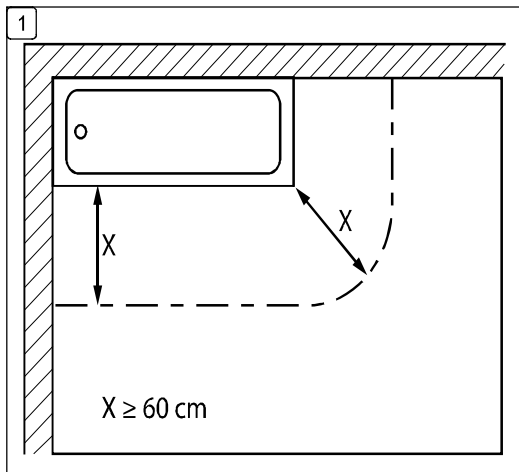


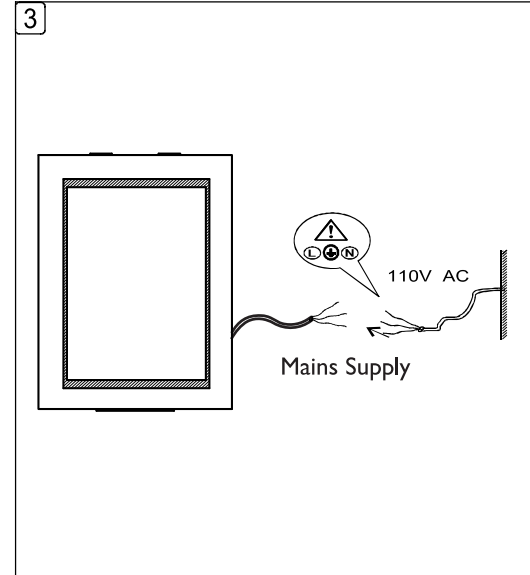
ALUMINIUM CABINETS INSTALLATION

Warning: 1. Always switch off the electrical supply at the mains during installation and maintenance. All fittings must be installed by a competent person. If in doubt Consult a qualified electrician.
2. Remove the packaging taking special care with the doors and separate shelves before installation.

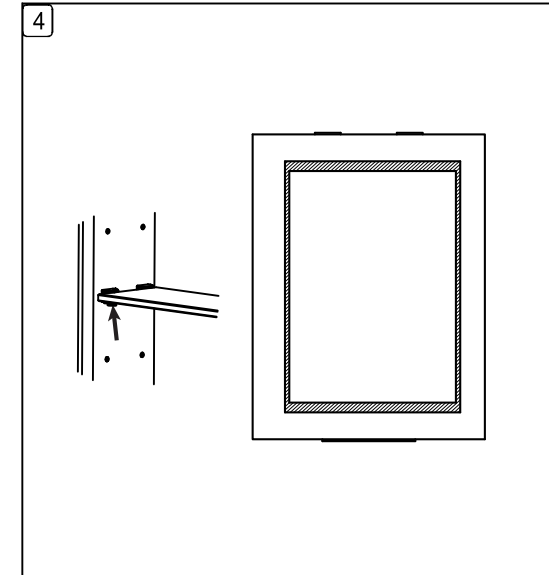
Installation step



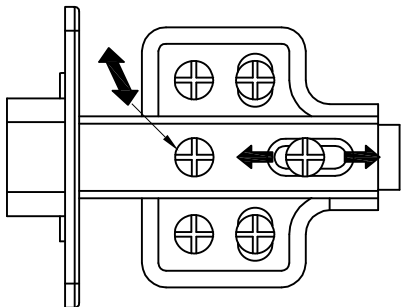
2. Screw the bracket to the wall by using the screws provided.



3. Connect the wire to local power wire.



4. Install the shelves clips to hold the glass shelves, use the rubber plug to cover the rest of pre-drilled holes.



第一版 生产图

已批准
LIXW, 16:05:52, 2019/02/26