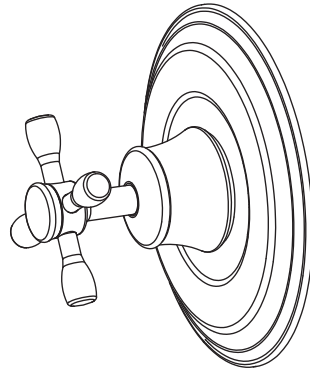
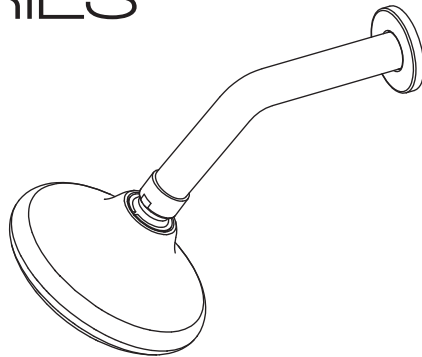




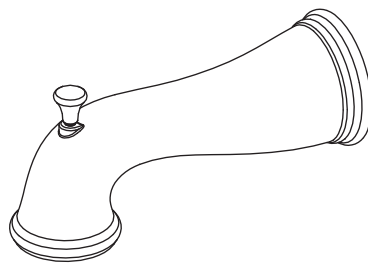
ANZZI™

MESTO SERIES

INSTALL GUIDE



Model#
SH-AZ033
SH-AZ034
SH-AZ035



PERFECTION IS OUR TRADITION™

TABLE OF CONTENTS

Parts List	Pg. 1
Before You Start	Pg. 2
Spec Drawing	Pg. 3
Installation	Pg. 4
Care & Maintenance	Pg. 11

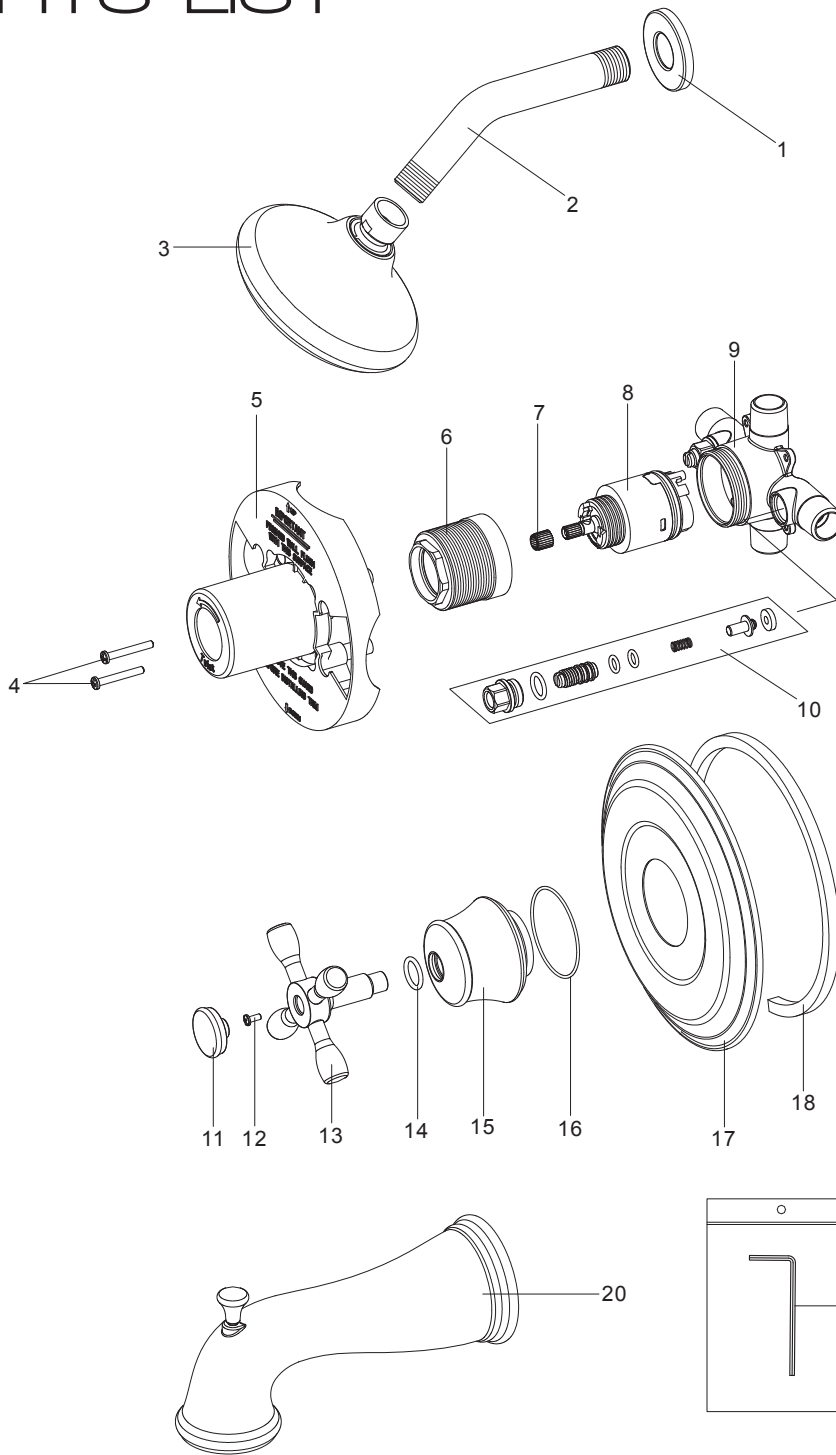
YOUR REVIEWS MATTER!



The ANZZI™ Family thanks you for your purchase and hopes you enjoy your very own ANZZI product for years to come! In the meantime let us know about your experience? We would love to hear your thoughts from the packaging to the quality and function of the product.

Also, we humbly request submitting as many pictures as possible along with your review. Millions of shoppers will want to know about your experience with our products. Don't just tell but show, too!

PARTS LIST



NO.	PART NAME
1	Flange
2	Shower arm
3	Shower head
4	Screw
5	Protect cover
6	Cartridge locknut
7	Handle adapter
8	Cartridge
9	Body
10	Check valve
11	Handle button
12	Screw
13	Handle
14	O-ring
15	Trim cap
16	O-ring
17	Trim plate
18	Joint
19	Allen key
20	Spout

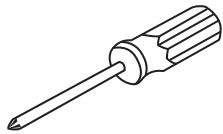


ASME A112.18.1/CSAB125.1

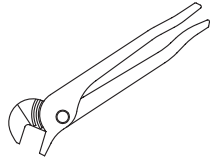
PERFECTION IS OUR TRADITION™

BEFORE YOU START

Recommended Items



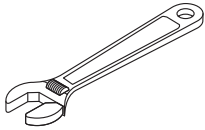
Screwdriver



Channel Locks



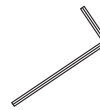
Goggles



Adjustable Wrench



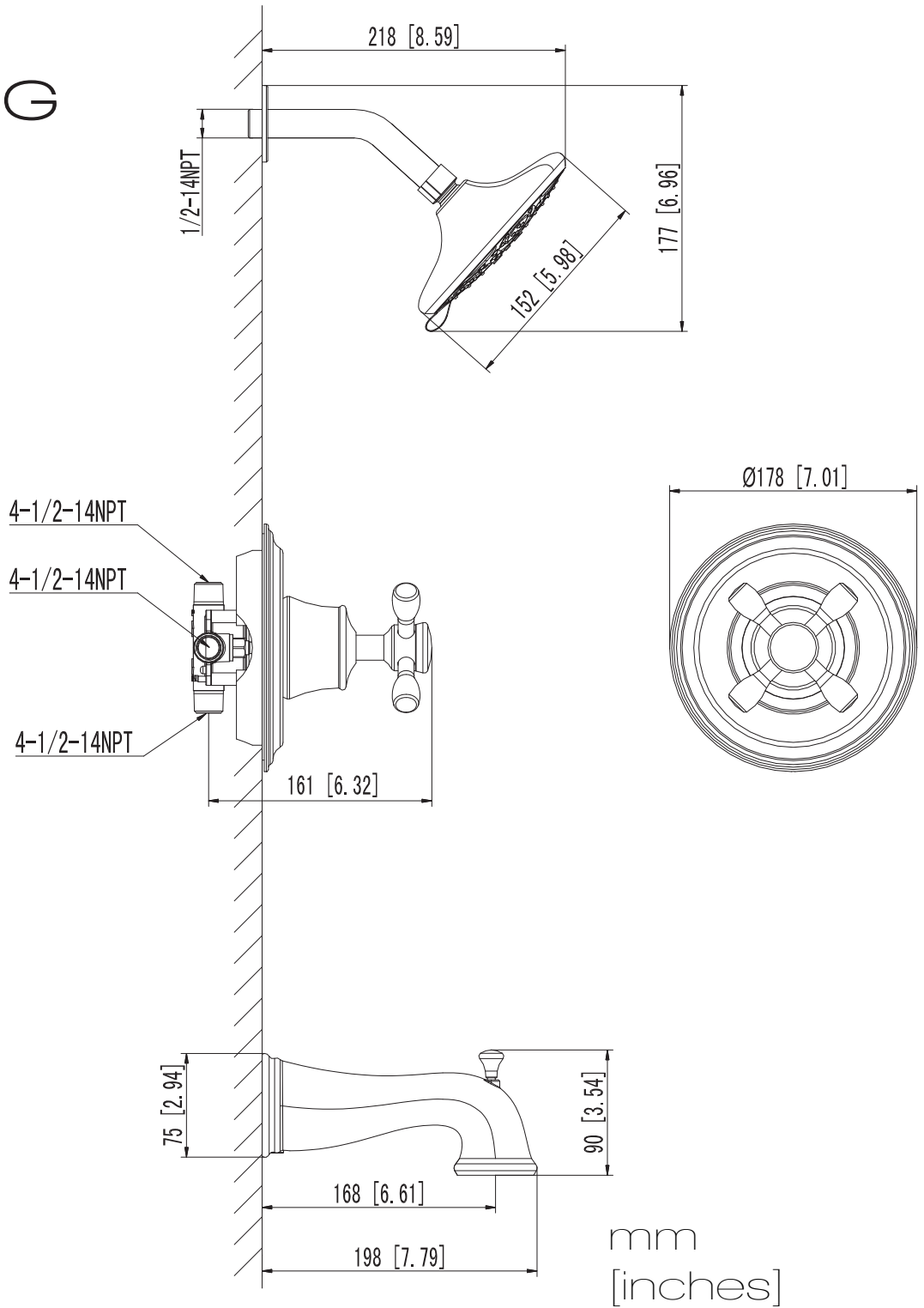
Teflon tape



Allen key

ATTENTION: Please read all instructions thoroughly including all warnings, attentions and notes before beginning installation.

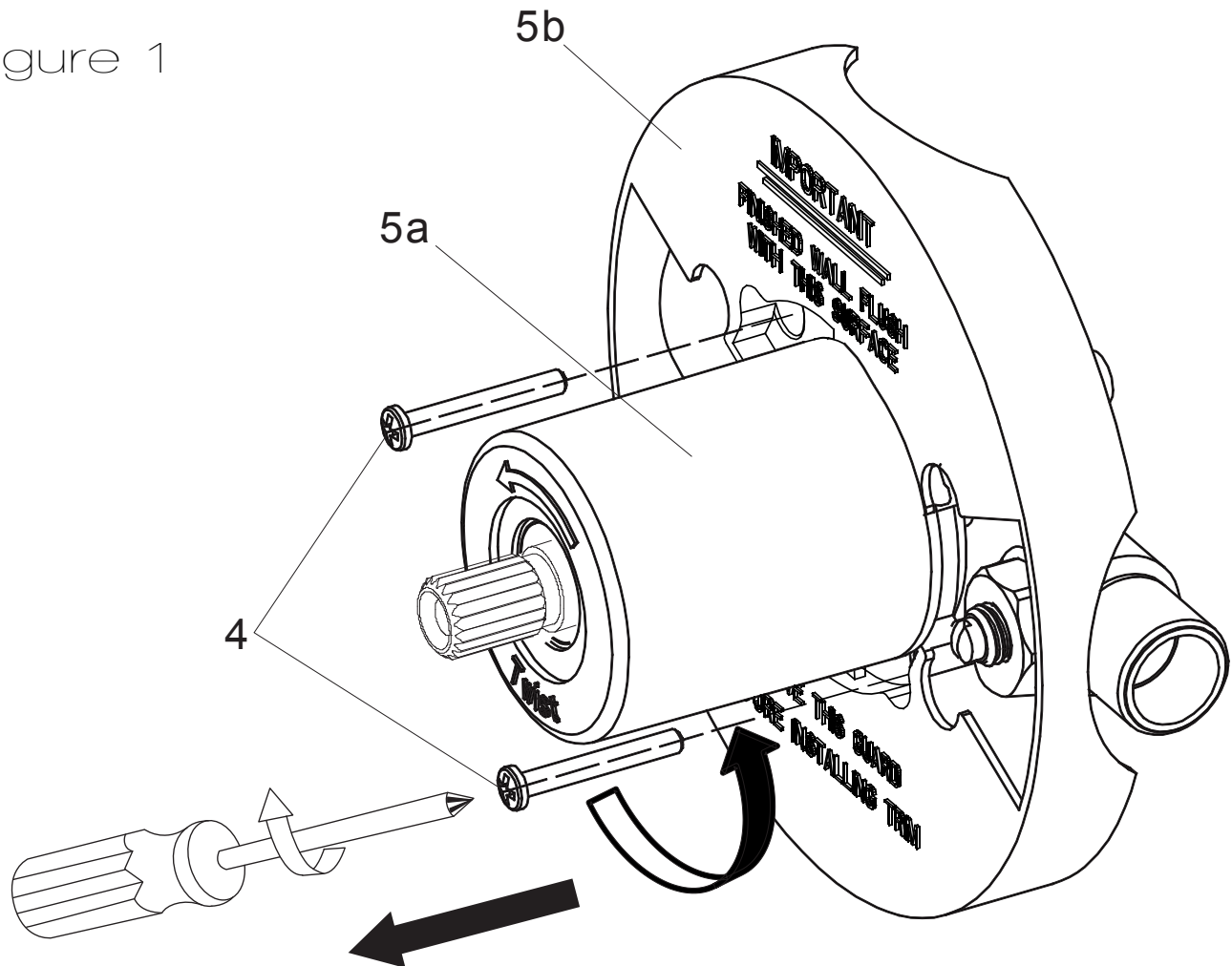
SPEC DRAWING



PERFECTION IS OUR TRADITION™

INSTALLATION

Figure 1

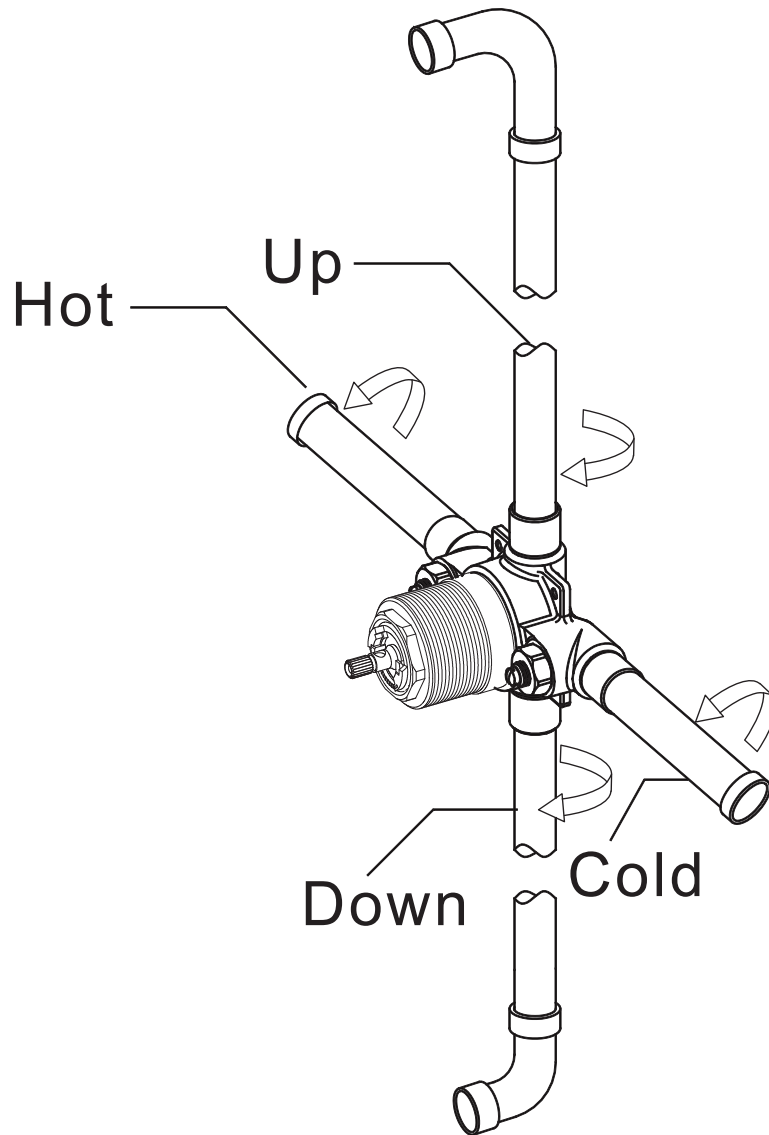


- Step 1A** Remove the protective covers (5a) by turning counter clockwise and sliding them out.
- Step 1B** Do not remove protective cover (5b) until you make sure the cover is flush with the finished wall.
- Step 1C** Using a Philips screwdriver, unscrew and remove the two screws (4).
- Step 1D** Now remove the remaining protective cover (5b).

PERFECTION IS OUR TRADITION™

INSTALLATION

Figure 2



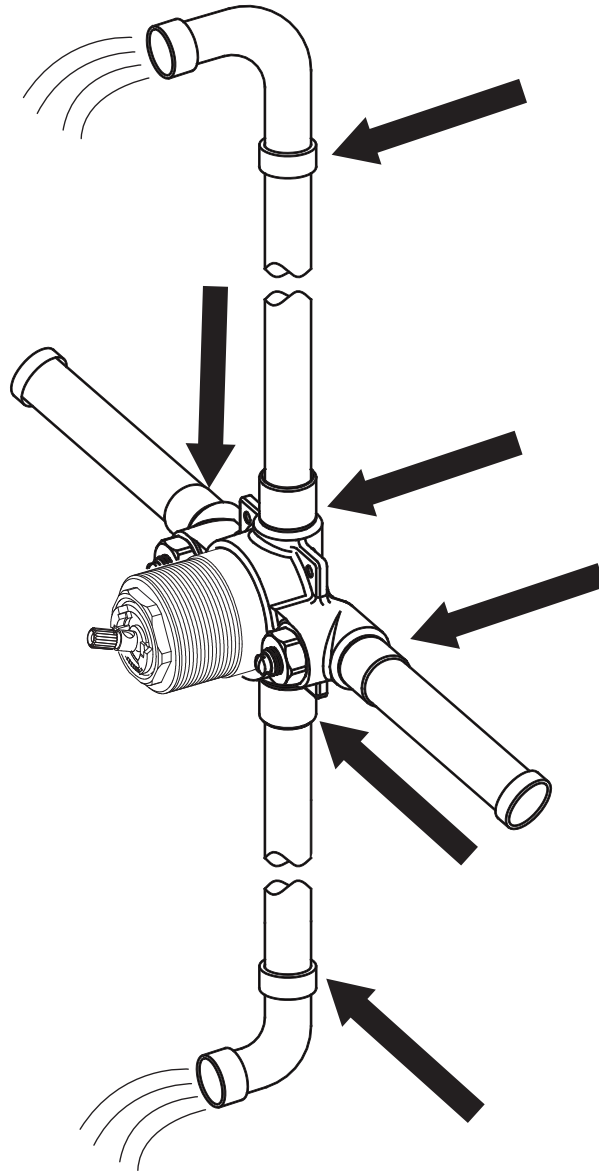
Step 2A Connect all plumbing lines to the faucet valve as shown.

Step 2B Make sure the hot and cold supply lines are connected to the pertaining sides.

PERFECTION IS OUR TRADITION™

INSTALLATION

Figure 3



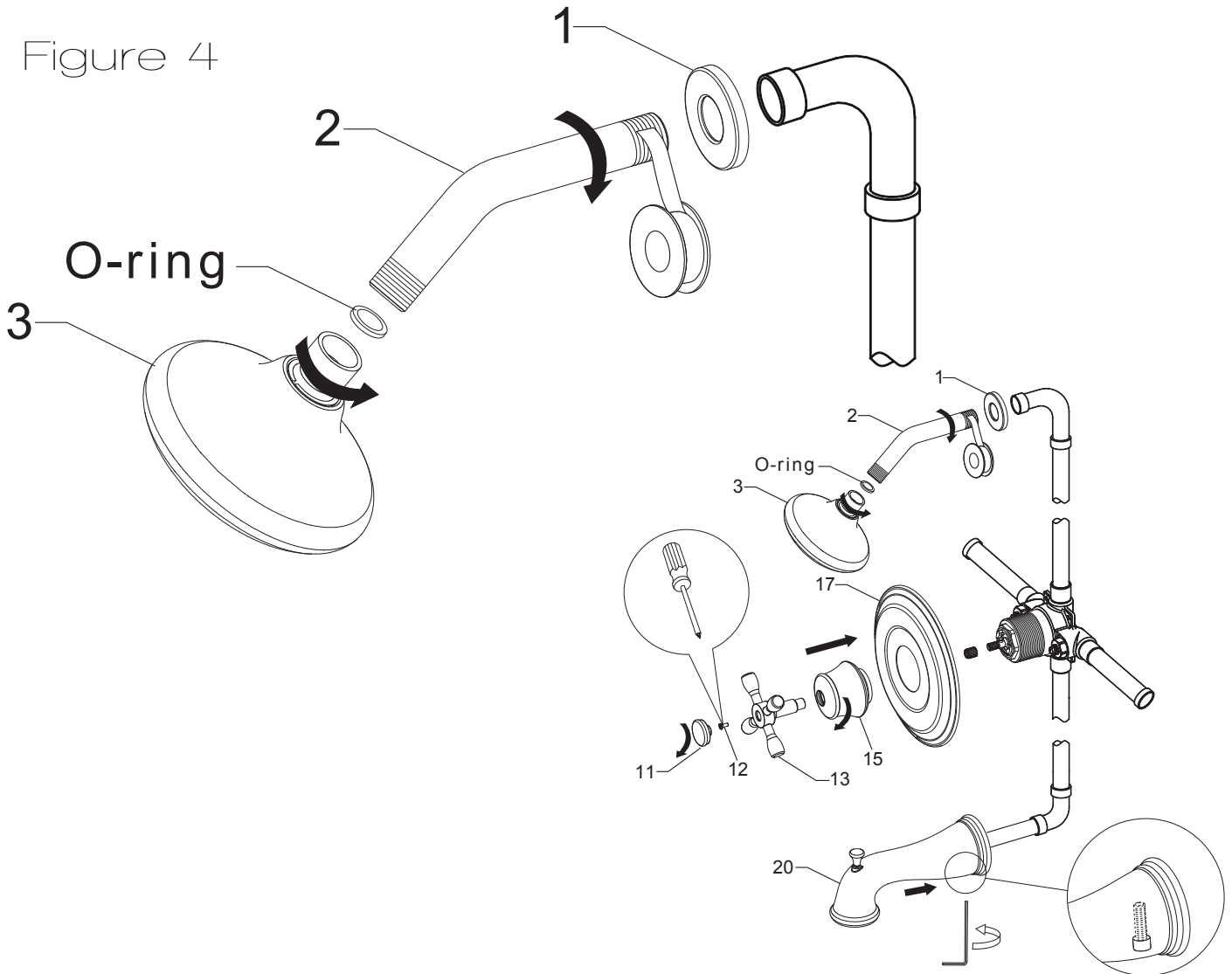
Step 3A Turn on water and allow it to run for 1-2 minutes.

Step 3B Check all connections and confirm there are no leaks before proceeding.

PERFECTION IS OUR TRADITION™

INSTALLATION

Figure 4



Step 4A Apply Teflon tape to the shower arm (#2) then place shower arm flange (#1) on shower pipe and screw shower arm to the pipe.

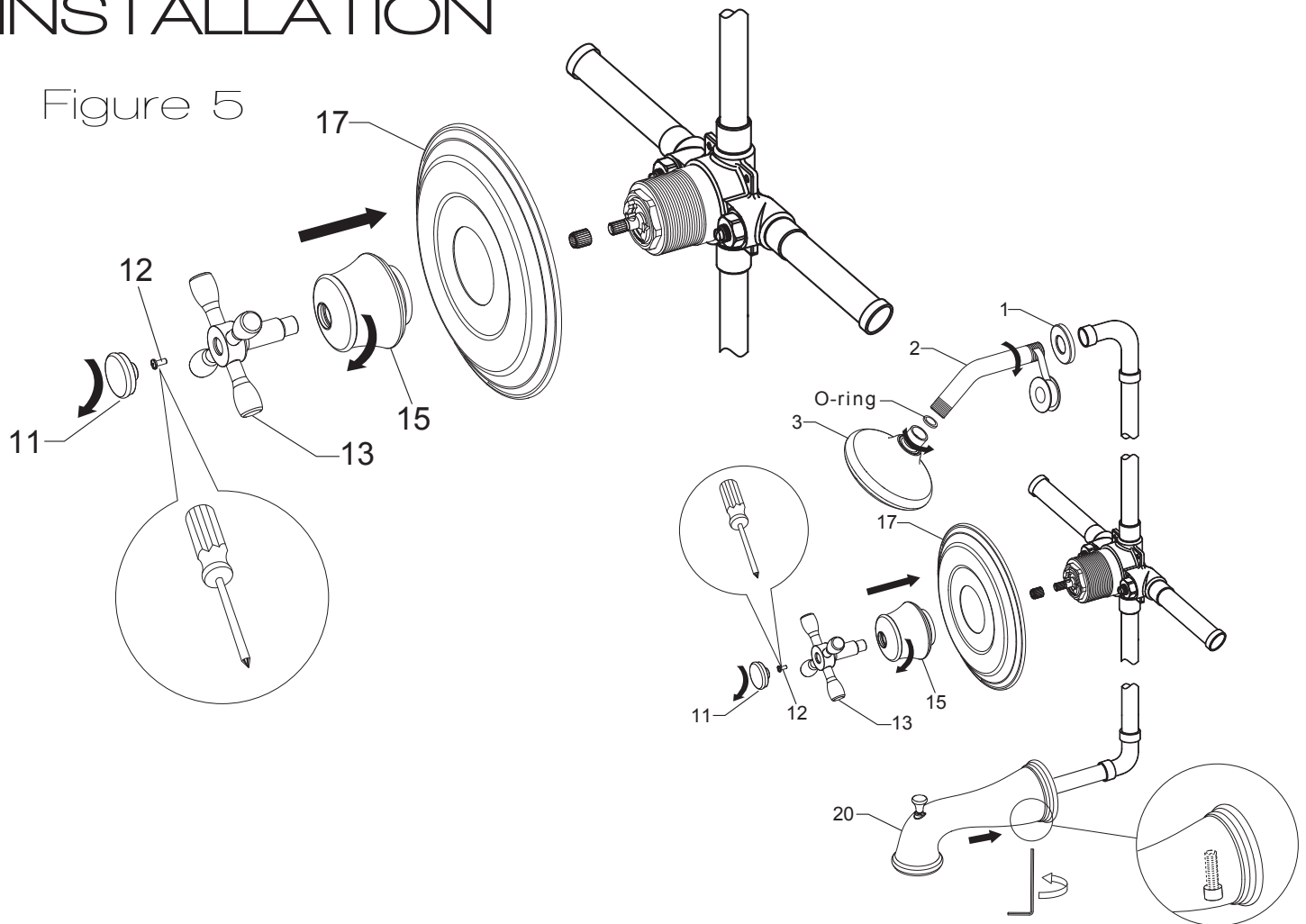
Step 4B After shower arm is in place screw the shower head (#3) onto the arm.

Important: Make sure the O-ring is placed in between the shower arm (#2) and the shower head (#3).

PERFECTION IS OUR TRADITION™

INSTALLATION

Figure 5



Step 5A Put the trim plate (#17) through the faucet valve then fasten it with screws (#15) and tighten using screw driver.

Step 5B Unscrew cap cover (#11) on knob then slide knob (#13) through the knob body (#15) already in place. **Do NOT misplace screw from inside the knob once cap cover has been removed!**

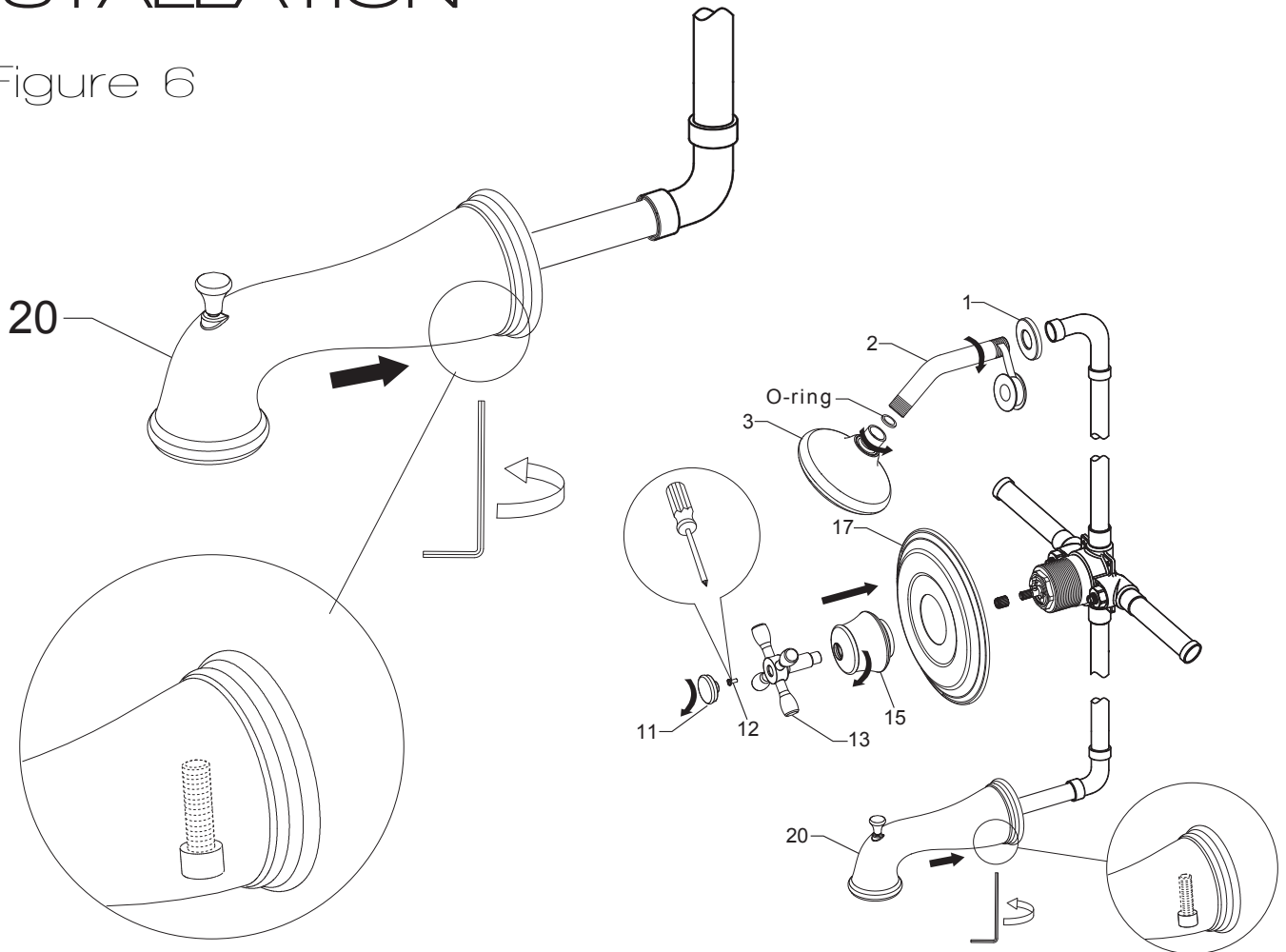
Step 5C Using a screwdriver tighten the screw (#12) inside the knob (#13) to secure it.

Step 5D Finally, insert the index (#11).

PERFECTION IS OUR TRADITION™

INSTALLATION

Figure 6

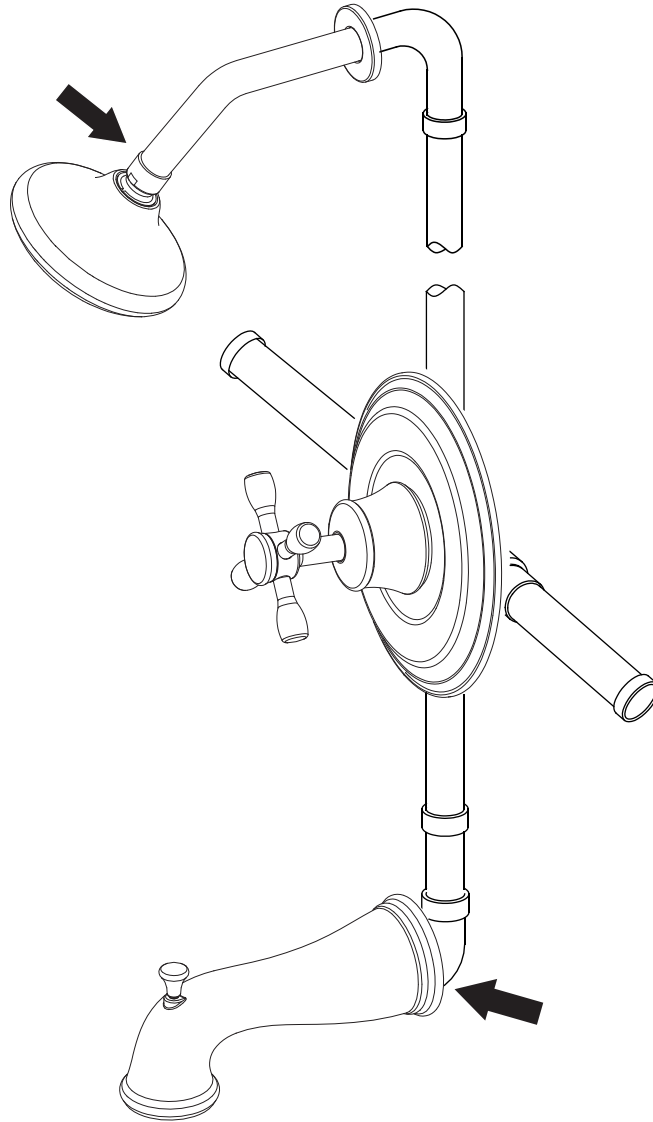


Step 6A Loosen the set screw on spout (#20) using allen key before sliding onto the supply pipe.

Step 6B Re-tighten the set screw to fasten onto pipe.

INSTALLATION

Figure 7



FINAL Check the connections pointed by the arrows for any kind of leaks and re-tighten if necessary.

Important: Please make sure not to over tighten.

PERFECTION IS OUR TRADITION™

CARE AND MAINTENANCE

ANZZI™ products are crafted with superior quality standards and workmanship and are engineered to stand the test of time. However, that does not mean the product can be neglected and will need some care and cleaning.

It is recommended to use regular soap and hot water along with a non-abrasive cloth or sponge to regularly clean the product. This avoids any nasty build up or deposits which would be tougher to remove.

If you feel the use of stronger cleaning solutions or chemicals is necessary always test the cleaning solution or chemical on an inconspicuous area before applying to the entire surface.

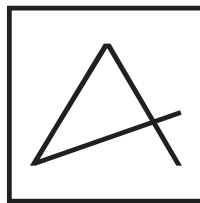
Wipe all surfaces clean and rinse completely with water immediately after applying cleaner. Rinse and dry any overspray that lands on nearby surfaces.

DO NOT ALLOW THE CLEANER TO SOAK.

Following these simple principles will ensure you ANZZI™ product will remain as lustrous and stunning as the day it was first received. ENJOY!

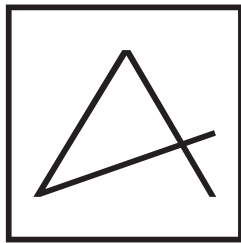
Sincerely,

La Familia ANZZI™



ANZZI™

Perfection is our Tradition™



ANZZI™

Perfection is our Tradition™