


series
Novello



CR

CHROME

PW

BRUSHED
NICKEL

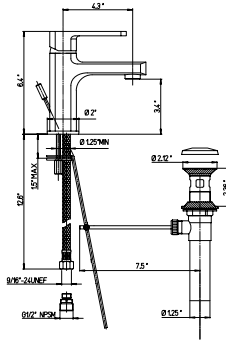


certified
CRN 1000001000000000

86..211

Single handle lavatory faucet.
 6.4" overall height.
 4.3" spout reach.
 1.5" maximum deck thickness.
 Pop-up drain included.

Flow Rate: 1.2 GPM @ 60 PSI



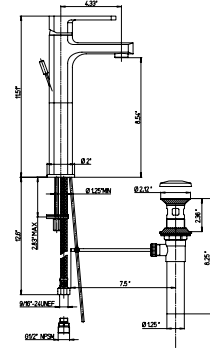
\$302,50	\$374,00	NA
----------	----------	----



86..211LL

Single handle lavatory faucet.
 11.5/1" overall height.
 4.3" spout reach.
 2 3/4" maximum deck thickness.
 Pop-up drain included.

Flow Rate: 1.2 GPM @ 60 PSI



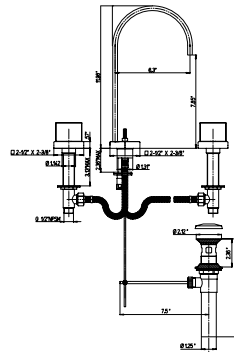
\$357,50	\$434,50	NA
----------	----------	----



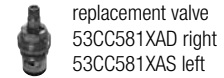
86..214

Widespread lavatory faucet.
 8" centers.
 11.8/9" overall height.
 6.3" spout reach.
 2 3/4" maximum deck thickness.
 Pop-up drain included.

Flow Rate: 1.2 GPM @ 60 PSI



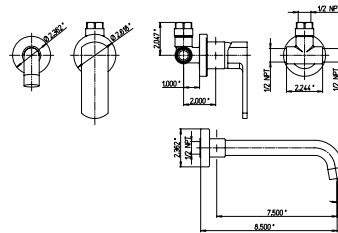
\$605,00	\$697,50	NA
----------	----------	----



86..208

Wall mount lavatory faucet.
 8 1/2" spout reach.

Flow Rate: 1.2 GPM @ 60 PSI



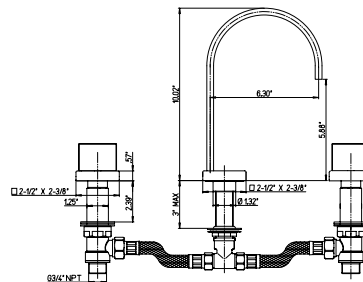
\$330,00	\$412,50	NA
----------	----------	----



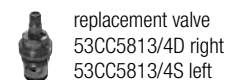
86..102

Roman tub with lever handles.
 10" spout height.
 6.3" spout reach.
 3" maximum deck thickness.

Flow Rate: 9.6 GPM @ 60 PSI



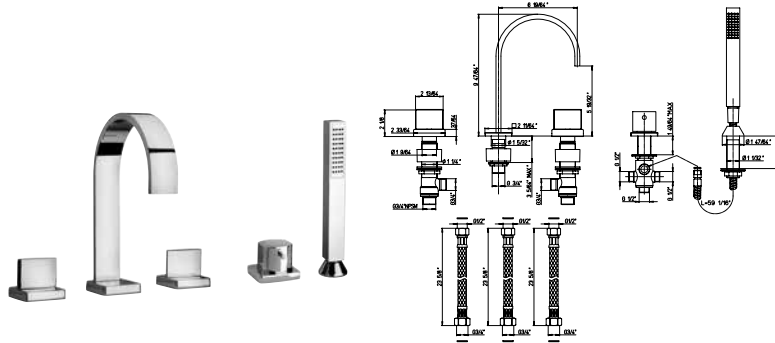
\$660,00	\$852,50	NA
----------	----------	----



86..109

Roman tub with lever handles and diverter with hand held shower.
 9 47/64" spout height.
 6 19/64" spout reach.
 3 5/64" maximum deck thickness.

Flow Rate: 7.0 GPM @ 60 PSI
 Flow Rate and spray: 1.8 GPM @ 80 PSI



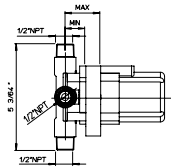
\$935,00 \$1.155,00 NA

replacement valve
 53CC5813/4D right
 53CC5813/4S left

VALVE 697

1/2" Pressure Balance
 Rough-in Valve
 1/2" inch inlet connections

Flows 5.0 GPM @ 60 PSI

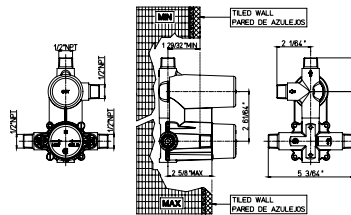


\$110,00

VALVE 788

Pressure Balance
 Rough-in Valve
 1/2" inch inlet connections

Flows 5.0 GPM @ 60 PSI

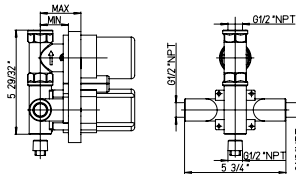


\$154,00

VALVE 690

Thermostatic Valve
 with 3/4" volume control
 1/2" inch inlet connections

Flows 7.1 GPM @ 60 PSI

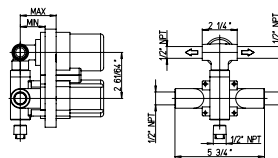


\$190,00

VALVE 691

Thermostatic Valve
 2 ways diverter cartridge
 1/2" inch inlet connections

Flows 5.5 GPM @ 60 PSI

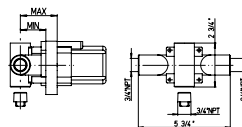


\$200,00

VALVE 711

Thermostatic Valve
 3/4" inch inlet connections

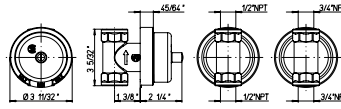
Flows 9.6 GPM @ 60 PSI



\$154,00

VALVE 400

1/2" Volume Control
 3/4" inch inlet connections
 Flows 12.5 GPM @ 60 PSI



\$82,50

VALVE 402

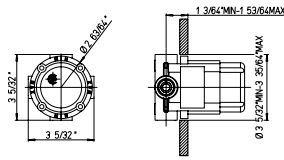
3/4" Volume Control
 3/4" inch inlet connections
 Flows 15.0 GPM @ 60 PSI

\$82,50

VALVE 425

3 ways Diverter Rough-in Valve
 1/2" inch inlet connections

Flows 9.7 GPM @ 60 PSI

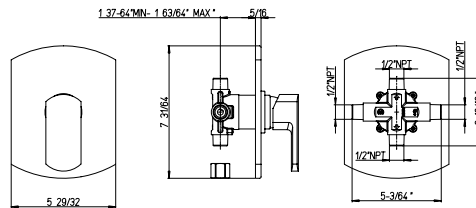


\$137,50

86..697

Pressure balance valve shower set.

NEEDS ROUGH VALVE 697



\$165,00 \$203,50 NA

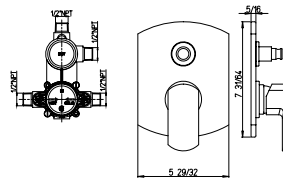


replacement cartridge
 53CC956D697VA

86..788

Pressure balance valve tub and shower set.

NEEDS ROUGH VALVE 788



\$231,00 \$313,50 NA

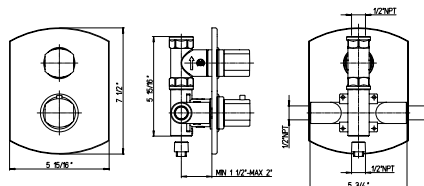


replacement cartridge
 53CC956D697VA

86..690

Thermostatic valve with 3/4" ceramic disc volume control.

NEEDS ROUGH VALVE 690



\$275,00 \$385,00 NA



replacement ceramic disc valve
 53CC5813/4S25

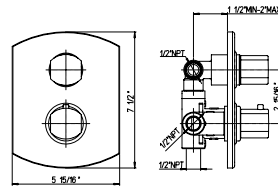


replacement cartridge
 2TCC959

86..691

Thermostatic valve with 2 way diverter volume control.

NEEDS ROUGH VALVE 691



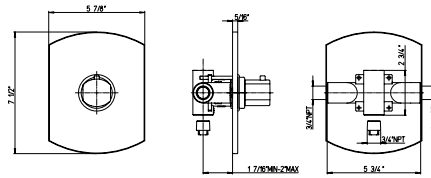
\$330,00 \$429,00 NA

- replacement ceramic disc valve 53CC956DEV35
- replacement cartridge 2TCC959

86..711

3/4" thermostatic valve only.

NEEDS ROUGH VALVE 711



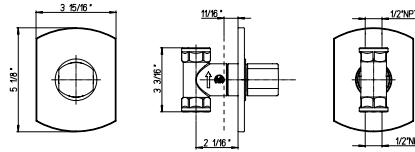
\$239,50 \$322,00 NA

- replacement cartridge 2TCC959

86..400

Volume control trim kit.

NEEDS ROUGH VALVE 400 OR 402



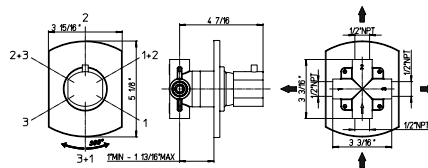
\$88,00 \$110,00 NA

- replacement ceramic disc valve 53CC5813/4S25

86..425

3 way diverter. 3/4" ceramic disc valve. 1/2" inlet connections.

NEEDS ROUGH VALVE 425

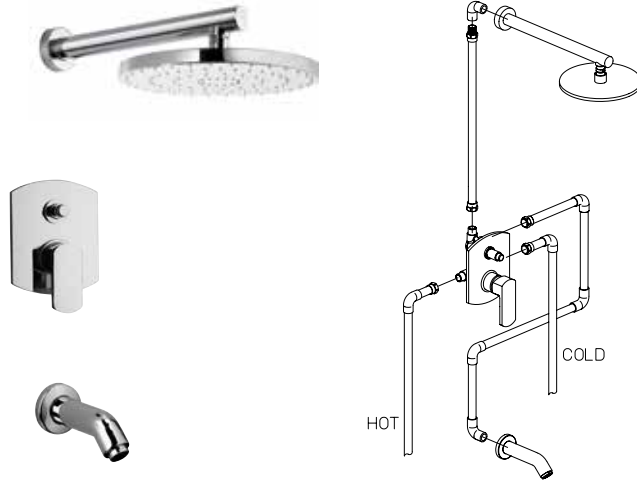


\$137,50 \$225,50 NA

- replacement diverter cartridge 53CC956DRG40

KIT 1

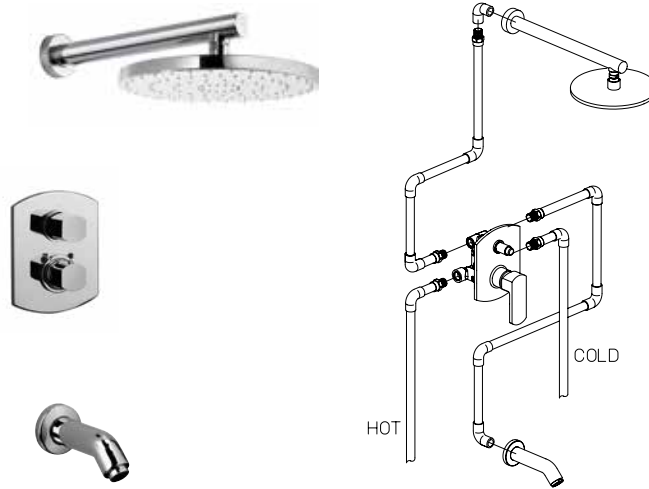
- Pressure balance tub & shower KIT including:
- 8" Brass round rain shower head - Anti Limestone
 - 12" Brass round wall mounted arm & flange
 - Trim 788 with diverter & ceramic disc valve cartridge
 - Rough in valve 788
 - 5 3/4" Brass tub spout
 - 1/2" NPT inlet connections



\$628,00	\$810,00	NA
----------	----------	----

KIT 2

- Thermostatic tub & shower KIT including:
- 8" Brass round rain shower head - Anti Limestone
 - 12" Brass round wall mounted arm & flange
 - Trim 691 with thermostatic valve & 2 way diverter volume control
 - Rough in valve 691
 - 5 3/4" Brass tub spout
 - 1/2" NPT inlet connections



\$744,00	\$939,00	NA
----------	----------	----

KIT 3

- Pressure balance shower KIT including:
- 8" Brass round rain shower head - Anti Limestone
 - 12" Brass round wall mounted arm & flange
 - Trim 697 ceramic disc valve cartridge
 - Rough in valve 697
 - 1/2" inlet connections



\$460,00	\$577,00	NA
----------	----------	----

KIT 4

\$612,00	\$786,00	NA
----------	----------	----

Thermostatic shower KIT including:

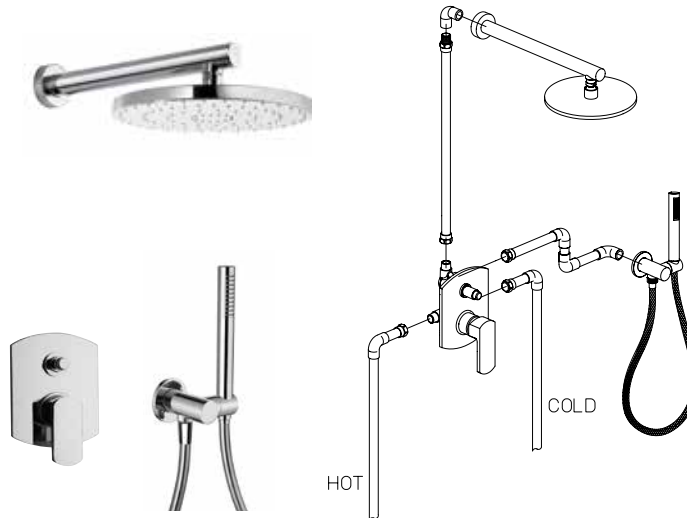
- 8" Brass round rain shower head - Anti Limestone
- 12" Brass round wall mounted arm & flange
- Trim 690 with thermostatic valve & 3/4" ceramic disc volume control
- Rough in valve 690
- 1/2" inlet connections


KIT 5

\$702,00	\$898,00	NA
----------	----------	----

Pressure balance hand shower KIT including:

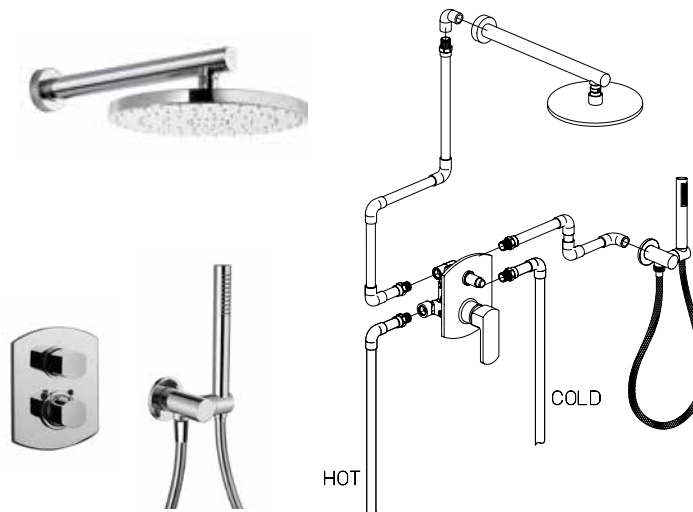
- 8" Brass round rain shower head - Anti Limestone
- 12" Brass round wall mounted arm & flange
- Trim 788 with diverter & ceramic disc valve cartridge
- Rough in valve 788
- Round wall mounted brass handshower set including 1-jet round handshower, wall mounted bracket & supply elbow + flange, 78" flexible hose
- 1/2" inlet connections


KIT 6

\$782,00	\$990,00	NA
----------	----------	----

Thermostatic hand shower KIT including:

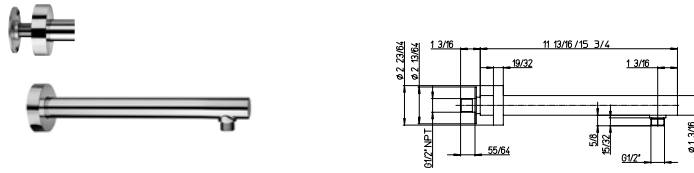
- 8" Brass round rain shower head - Anti Limestone
- 12" Brass round wall mounted arm & flange
- Trim 691 with thermostatic valve & 2 way diverter volume control
- Rough in valve 691
- Round wall mounted brass handshower set including 1-jet round handshower, wall mounted bracket & supply elbow + flange, 78" flexible hose
- 1/2" inlet connections



RD..74512

\$126,50 \$176,00 NA

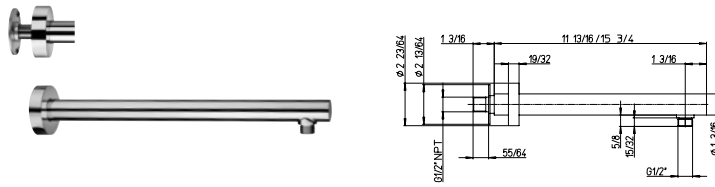
12" wallmount shower arm with strengthened fixing.



RD..74516

\$137,50 \$187,00 NA

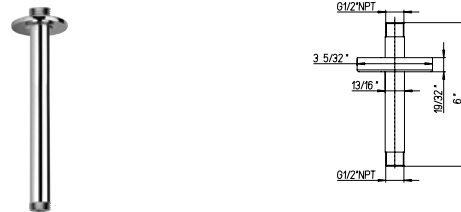
16" wallmount shower arm with strengthened fixing.



RD..74406

\$71,50 \$93,50 NA

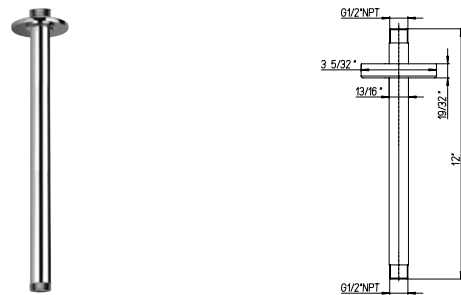
6" Ceiling mount shower arm with strengthened fixing.



RD..74412

\$104,50 \$137,50 NA

12" Ceiling mount shower arm with strengthened fixing.

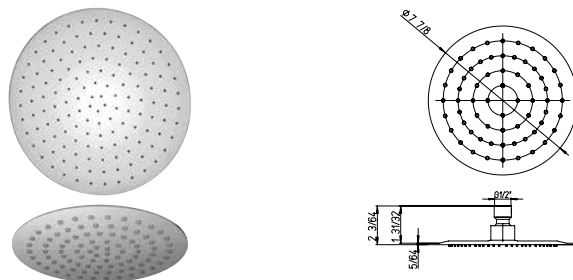


RD..75908

\$99,00 \$126,50 NA

Extraslim 8" showerhead only.
Round design.
1/2" connections.

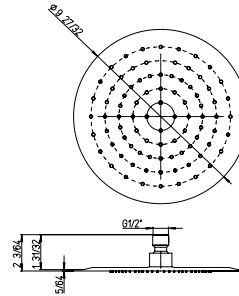
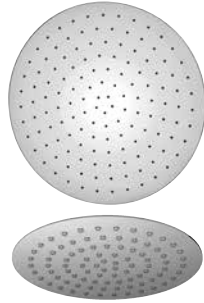
Flow Rate: 1.8 GPM @ 60 PSI MAX



RD..75910

Extraslim 10" showerhead only.
Round design.
½" connections.

Flow Rate: 1.8 GPM @ 60 PSI MAX

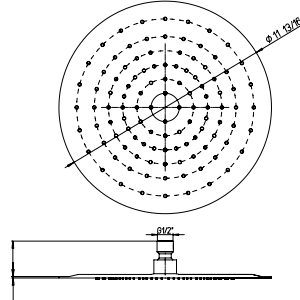
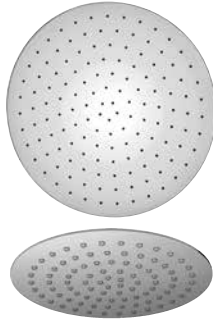


\$126,50	\$154,00	NA
----------	----------	----

RD..75912

Extraslim 12" showerhead only.
Round design.
½" connections.

Flow Rate: 1.8 GPM @ 60 PSI MAX

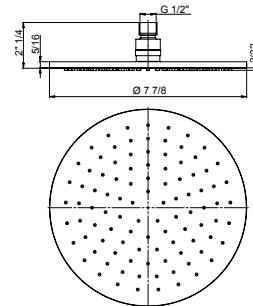


\$154,00	\$181,50	NA
----------	----------	----

78..75908

8" round brass shower head.
Anti-limestone.
½" connections.

Flow Rate: 1.8 GPM @ 60 PSI MAX

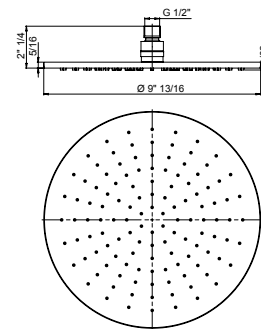


\$173,50	\$231,00	NA
----------	----------	----

78..75910

10" round brass shower head.
Anti-limestone.
½" connections.

Flow Rate: 1.8 GPM @ 60 PSI MAX

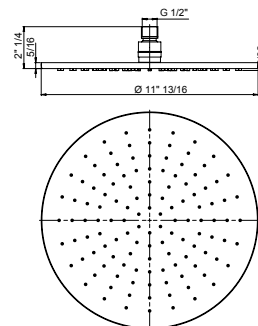


\$242,00	\$330,00	NA
----------	----------	----

78..75912

12 round brass shower head.
Anti-limestone.
½" connections.

Flow Rate: 1.8 GPM @ 60 PSI MAX



\$385,00	\$522,50	NA
----------	----------	----

86..689

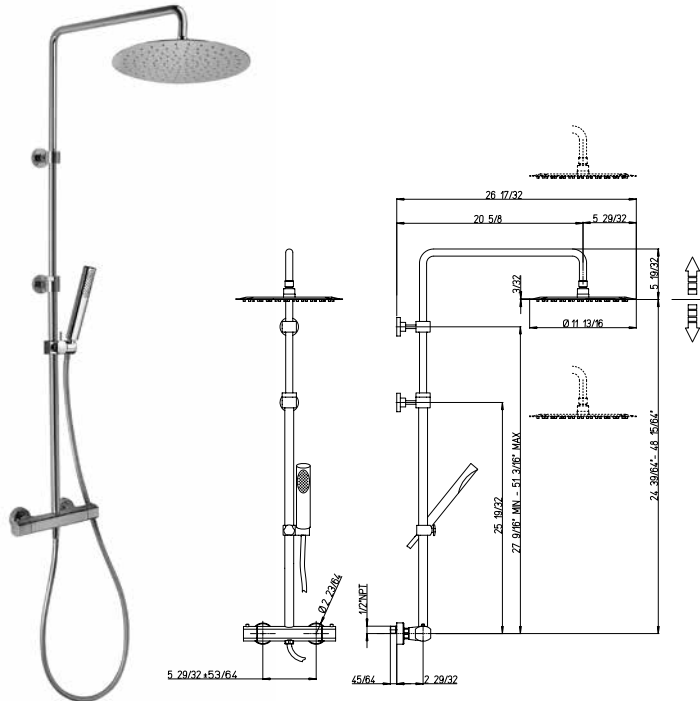
Adjustable shower column with thermostatic mixer, 38° safety button, integrated diverter, brass tube, brass adjustable shower holder.

12" inch round shower head.

Single jet hand shower.

78" flexible hose.

Flow Rate: 1.8 GPM @ 60 PSI MAX



\$1.045,00 NA NA

RD..129

24" brass slide bar kit.

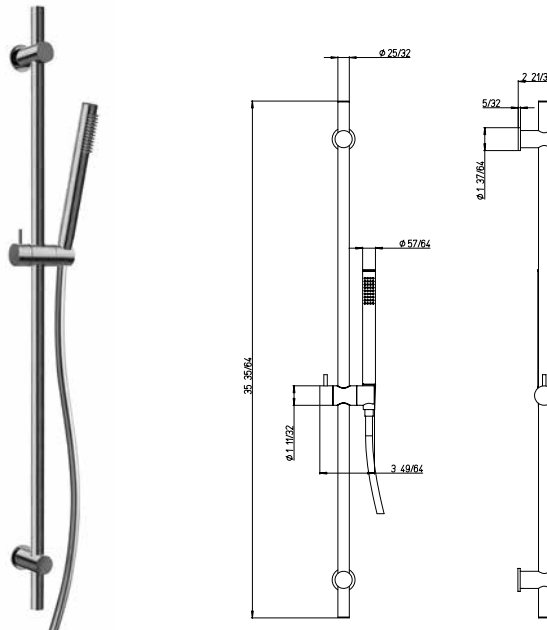
Includes: Handshower,

Wall mount bracket & supply elbow.

Single jet hand shower.

78" flexible hose.

Flow Rate: 1.8 GPM @ 60 PSI MAX



\$330,00 \$467,50 NA

RD..440

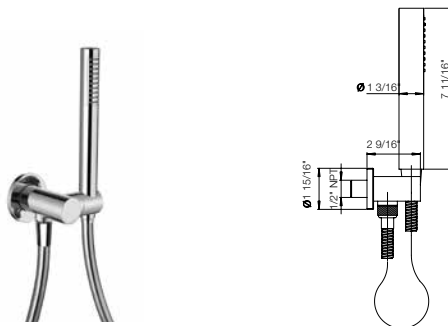
Wallmounted brass handshower kit.

1-jet hand shower.

Wall mount bracket & supply elbow.

78" flexible hose.

Flow Rate: 1.8 GPM @ 60 PSI MAX



\$192,50 \$247,50 NA

50..162

\$27,50	\$49,50	NA
---------	---------	----

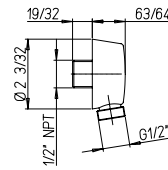
78" metal shower hose.


RD..503

\$38,50	\$60,50	NA
---------	---------	----

Round brass drop elbow.

1/2" NPT Connection


RD..721

\$220,00	\$253,00	NA
----------	----------	----

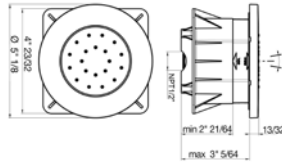
Round brass body tile spray.

Directional Body Spray.

30° Rotation.

1/2" Female NPT Connection.

Flow Rate: 1.5 GPM @ 60 PSI MAX


86..721

\$110,00	\$137,50	NA
----------	----------	----

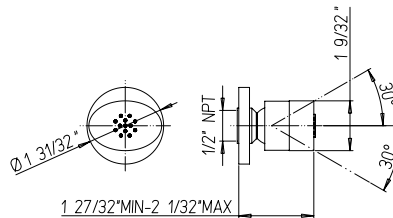
Round brass body spray.

Directional Body Spray.

30° Rotation.

1/2" Female NPT Connection.

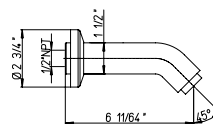
Flow Rate: 1.5 GPM @ 60 PSI MAX


78..430

\$99,00	\$137,50	NA
---------	----------	----

Brass tub spout wall mount.

5 3/4" Brass tub spout.



RD..945

Push down pop up drain.

\$82,50	\$110,00	NA
---------	----------	----

