

series
Morgana

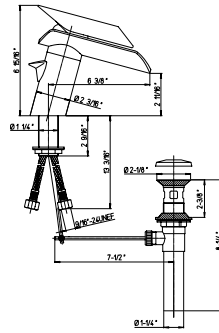


certified
CRR 1000010001

73..211VR glass spout
73..211LZ wengé spout

Single handle lavatory faucet.
 6.15/16" overall height.
 6.3/8" spout reach.
 2 3/4" maximum deck thickness.
 Pop-up drain included.

Flow Rate: 1.2 GPM @ 60 PSI



\$742,50	\$825,00	NA
-	\$825,00	NA

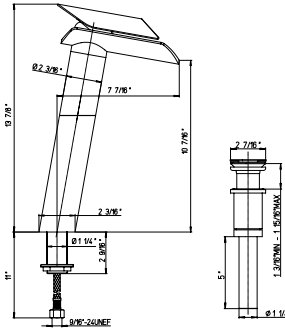


replacement cartridge
 53CC956G25

73..211VRLL glass spout
73..211LZLL wengé spout

Single handle lavatory faucet.
 13.7/18 overall height.
 7.7/16" spout reach.
 2 3/4" maximum deck thickness.
 Push drain included.

Flow Rate: 1.2 GPM @ 60 PSI



\$825,00	\$962,50	NA
-	\$962,50	NA

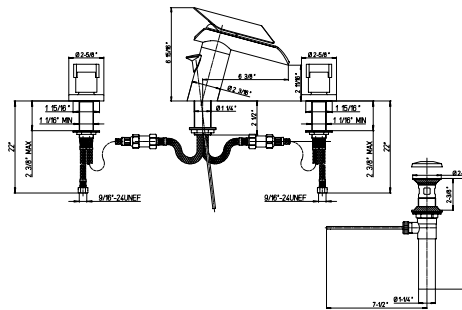


replacement cartridge
 53CC956G25

73..214VR glass spout
73..214LZ wengé spout

8" centers widespread lavatory faucet.
 6.15/16" overall height.
 6.3/8" spout reach.
 2 3/4" maximum deck thickness.
 Pop-up drain included.

Flow Rate: 1.2 GPM @ 60 PSI



\$935,00	\$1.017,50	NA
-	\$1.017,50	NA

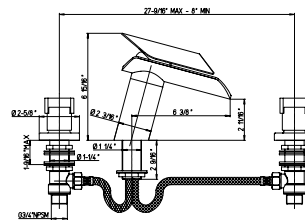


replacement valve
 53CC581XAD right
 53CC581XAS left

73..102VR glass spout
73..102LZ wengé spout

Roman tub with lever handles.
 6.15/16" overall height.
 6.3/8" spout reach.
 2 3/4" maximum deck thickness.

Flow Rate: 5.6 GPM @ 60 PSI



\$1.034,00	\$1.182,50	NA
-	\$1.182,50	NA



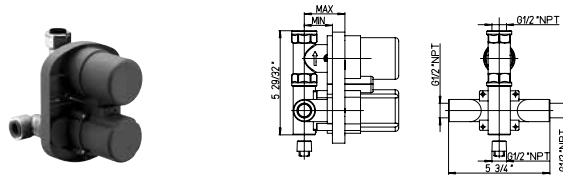
replacement valve
 53CC5813/4D right
 53CC5813/4S left

VALVE 690

\$190,00

 Thermostatic Valve
 with 3/4" volume control
 1/2" inch inlet connections

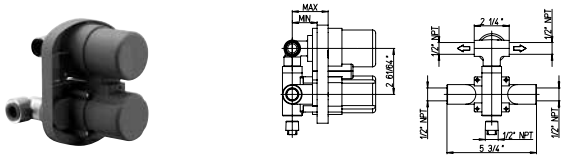
Flows 7.1 GPM @ 60 PSI


VALVE 691

\$200,00

 Thermostatic Valve
 2 ways diverter cartridge
 1/2" inch inlet connections

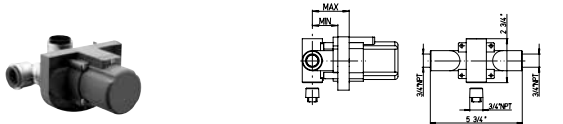
Flows 5.5 GPM @ 60 PSI


VALVE 711

\$154,00

 Thermostatic Valve
 3/4" inch inlet connections

Flows 9.6 GPM @ 60 PSI

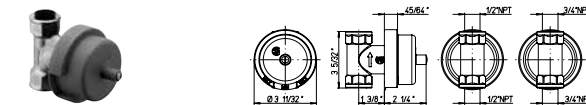

VALVE 400

\$82,50

 1/2" Volume Control
 3/4" inch inlet connections
 Flows 12.5 GPM @ 60 PSI

VALVE 402

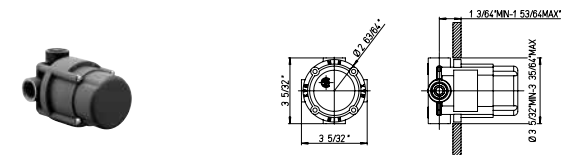
\$82,50

 3/4" Volume Control
 3/4" inch inlet connections
 Flows 15.0 GPM @ 60 PSI

VALVE 425

\$137,50

 3 ways Diverter Rough-in Valve
 1/2" inch inlet connections

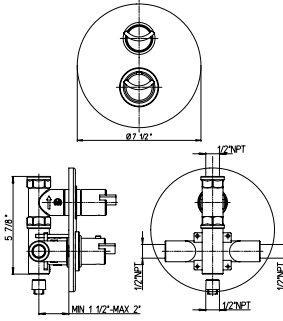
Flows 9.7 GPM @ 60 PSI



73..690

Thermostatic valve with 3/4" ceramic disc volume control.

NEEDS ROUGH VALVE 690



\$275,00 \$385,00 NA

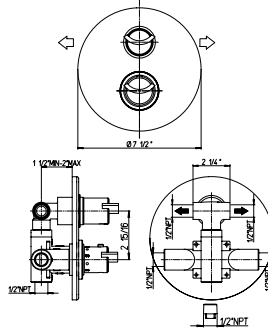


replacement ceramic disc valve
53CC5813/4S25
replacement cartridge
2TCC959

73.691

Thermostatic valve with 2 way diverter volume control.

NEEDS ROUGH VALVE 691



\$330,00 \$429,00 NA

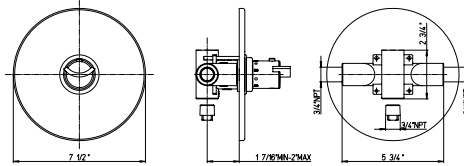


replacement ceramic disc valve
53CC956DEV35
replacement cartridge
2TCC959

73..711

3/4" thermostatic valve only.

NEEDS ROUGH VALVE 711



\$236,50 \$319,00 NA

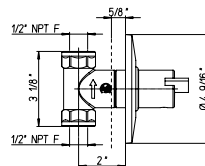


replacement cartridge
2TCC959

73..400

Volume control trim kit.

NEEDS ROUGH VALVE 400 OR 402



\$88,00 \$165,00 NA



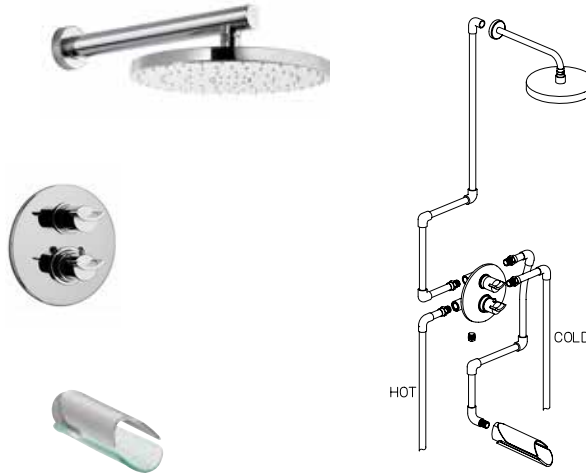
replacement ceramic disc valve
53CC5813/4S25

KIT 2

\$885,00	\$1.093,00	NA
----------	------------	----

Thermostatic tub & shower KIT including:

- 8" Brass round rain shower head - Anti Limestone
- 12" Brass round wall mounted arm & flange
- Trim 691 with thermostatic valve & 2 way diverter volume control
- Rough in valve 691
- 8" Brass tub spout
- 1/2" inlet connections


KIT 4

\$613,00	\$786,00	NA
----------	----------	----

Thermostatic shower KIT including:

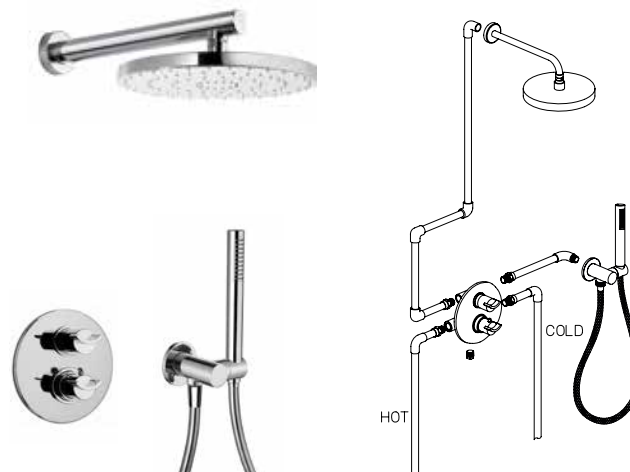
- 8" Brass round rain shower head - Anti Limestone
- 12" Brass round wall mounted arm & flange
- Trim 690 with thermostatic valve & 3/4" ceramic disc volume control
- Rough in valve 690
- 1/2" inlet connections


KIT 6

\$782,00	\$990,00	NA
----------	----------	----

Thermostatic hand shower KIT including:

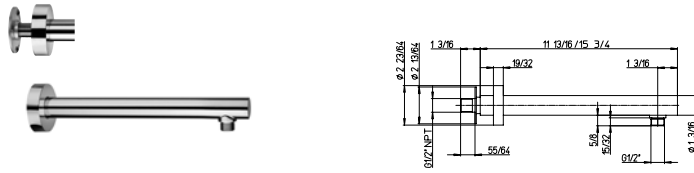
- 8" Brass round rain shower head - Anti Limestone
- 12" Brass round wall mounted arm & flange
- Trim 691 with thermostatic valve & 2 way diverter volume control
- Rough in valve 691
- Round wall mounted brass handshower set including 1-jet round handshower, wall mounted bracket & supply elbow + flange, 78" flexible hose
- 1/2" inlet connections



RD..74512

\$126,50 \$176,00 NA

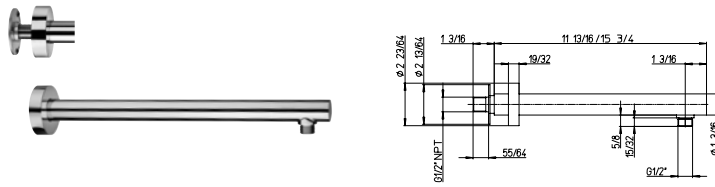
12" wallmount shower arm with strengthened fixing.



RD..74516

\$137,50 \$187,00 NA

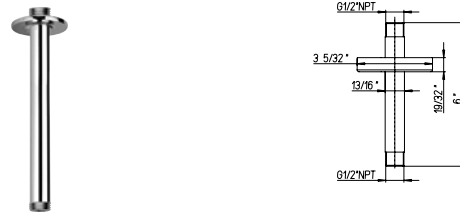
16" wallmount shower arm with strengthened fixing.



RD..74406

\$71,50 \$93,50 NA

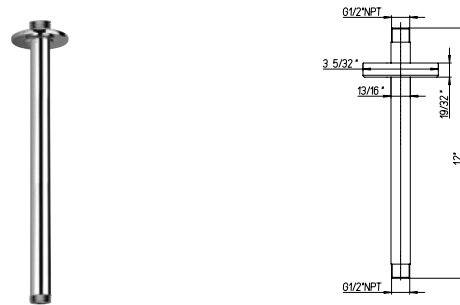
6" Ceiling mount shower arm with strengthened fixing.



RD..74412

\$104,50 \$137,50 NA

12" Ceiling mount shower arm with strengthened fixing.

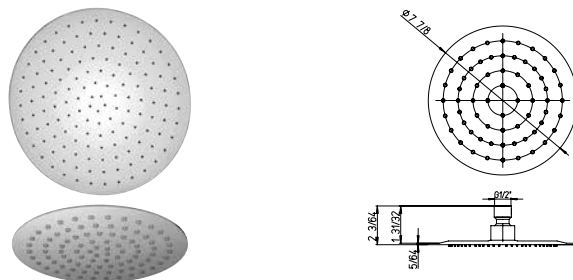


RD..75908

\$99,00 \$126,50 NA

Extraslim 8" showerhead only. Round design. 1/2" connections.

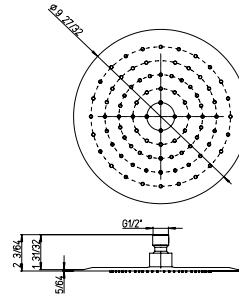
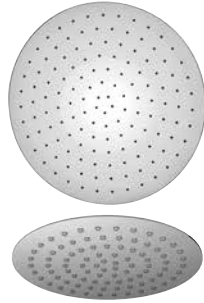
Flow Rate: 1.8 GPM @ 60 PSI MAX



RD..75910

Extraslim 10" showerhead only.
Round design.
½" connections.

Flow Rate: 1.8 GPM @ 60 PSI MAX

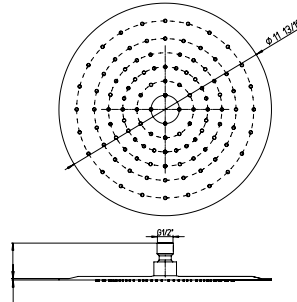
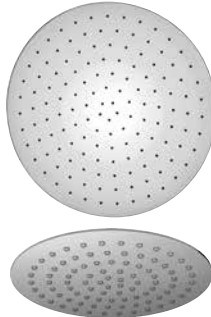


\$154,00	\$154,00	NA
----------	----------	----

RD..75912

Extraslim 12" showerhead only.
Round design.
½" connections.

Flow Rate: 1.8 GPM @ 60 PSI MAX

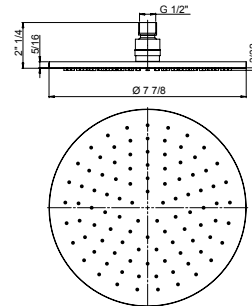


\$154,00	\$181,50	NA
----------	----------	----

78..75908

8" round brass shower head.
Anti-limestone.
½" connections.

Flow Rate: 1.8 GPM @ 60 PSI MAX

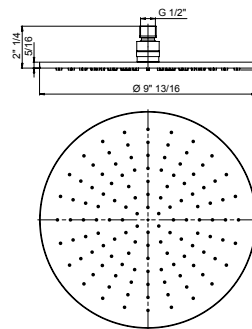


\$173,50	\$231,00	NA
----------	----------	----

78..75910

10" round brass shower head.
Anti-limestone.
½" connections.

Flow Rate: 1.8 GPM @ 60 PSI MAX

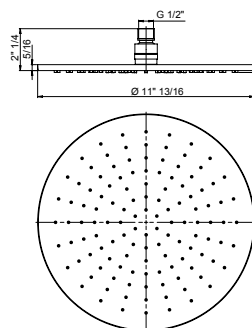


\$242,00	\$330,00	NA
----------	----------	----

78..75912

12 round brass shower head.
Anti-limestone.
½" connections.

Flow Rate: 1.8 GPM @ 60 PSI MAX



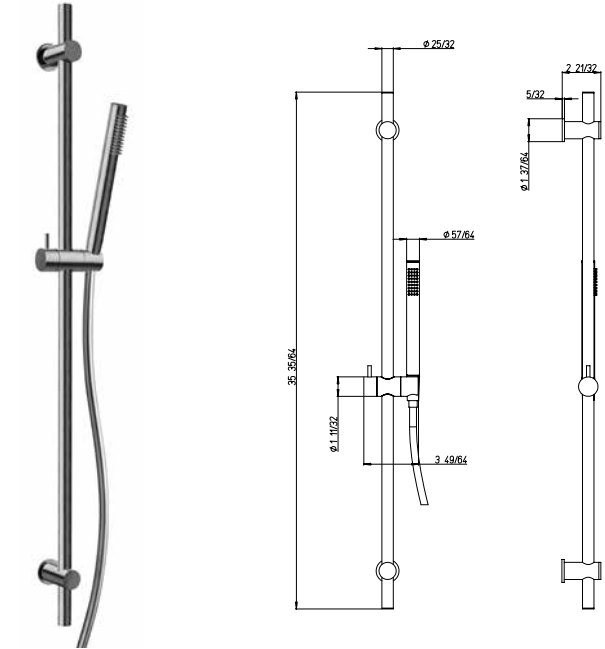
\$385,00	\$522,50	NA
----------	----------	----

RD..129

\$330,00 \$467,50 NA

24" brass slide bar kit.
Includes: Handshower,
Wall mount bracket & supply elbow,
78" flexible hose.

Flow Rate: 1.8 GPM @ 60 PSI MAX

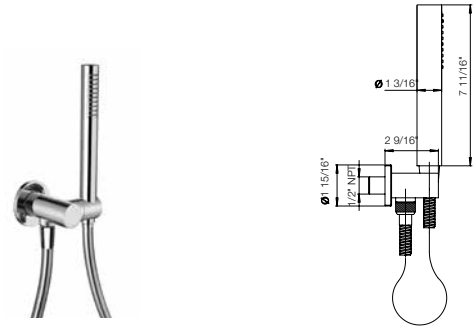


RD..440

\$192,50 \$247,50 NA

Wallmounted brass handshower kit.
1-jet hand shower.
Wall mount bracket & supply elbow.
78" flexible hose.

Flow Rate: 1.8 GPM @ 60 PSI MAX



50..162

\$27.50 \$49.50 \$60.50

78" metal shower hose.

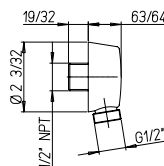


RD..503

\$38,50 \$60,50 NA

Round brass drop elbow.

1/2" NPT Connection

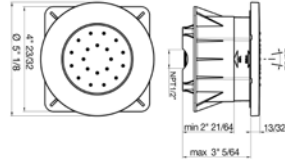


RD..721

\$220,00	\$253,00	NA
----------	----------	----

Round brass body tile spray.
 Directional Body Spray.
 30° Rotation.
 ½" Female NPT Connection.

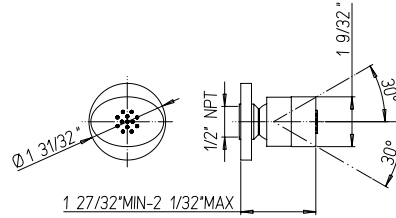
Flow Rate: 1.5 GPM @ 60 PSI MAX


86..721

\$110,00	\$137,50	NA
----------	----------	----

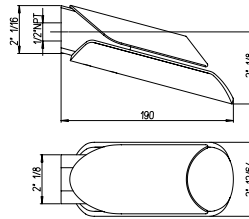
Round brass body spray.
 Directional Body Spray.
 30° Rotation.
 ½" Female NPT Connection.

Flow Rate: 1.5 GPM @ 60 PSI MAX


73..430VR glass spout
73..430LZ wengé spout

\$275,00	\$330,00	NA
-	\$330,00	NA

Brass tub spout wall mount.


RD..945

\$82,50	\$110,00	NA
---------	----------	----

Push down pop up drain.

