

Luxaar

INSTALLATION INSTRUCTIONS

Please read these instructions carefully before installation.
Installation should be carried out by a qualified electrician.

Keep the plastic corner protectores on until installation is fully completed. Do NOT strike mirror glass with hard or pointed items.It is recommended that the product is cleaned with a soft, dry,non abrasive cloth. Do NOT use cleaning agents or abrasive materials on any type of finished surface. Do NOT allow moisture to come into contact with the electrical components.

Electrical information of LED Mirror						
Item Code	Product Size(inch)	Input Voltage	Electric Power of Mirror(Watt)	Lumens	Colour temperature (Kelvin)	Life expectancy of LED Strip(Hour)
LEDBM3436	34"Wx36"H	110V	74W	3150	6000K	50,000
LEDBM4836	48"Wx36"H	110V	96W	3700	6000K	50,000
LEDBM6036	60"Wx36"H	110V	98W	4200	6000K	50,000
LEDBM7036	70"Wx36"H	110V	114W	4600	6000K	50,000

Touch Switch Application

1.ON/OFF LED Light

When the LED Light is OFF,use single finger to Short Touch the Switch Button, the LED Light will be turned ON, When the LED Light is ON, Short Touch the Switch Button, the LED light will be OFF

2.Dimmable function.

Simply press and hold the touch button to adjust lighting to your desired level.

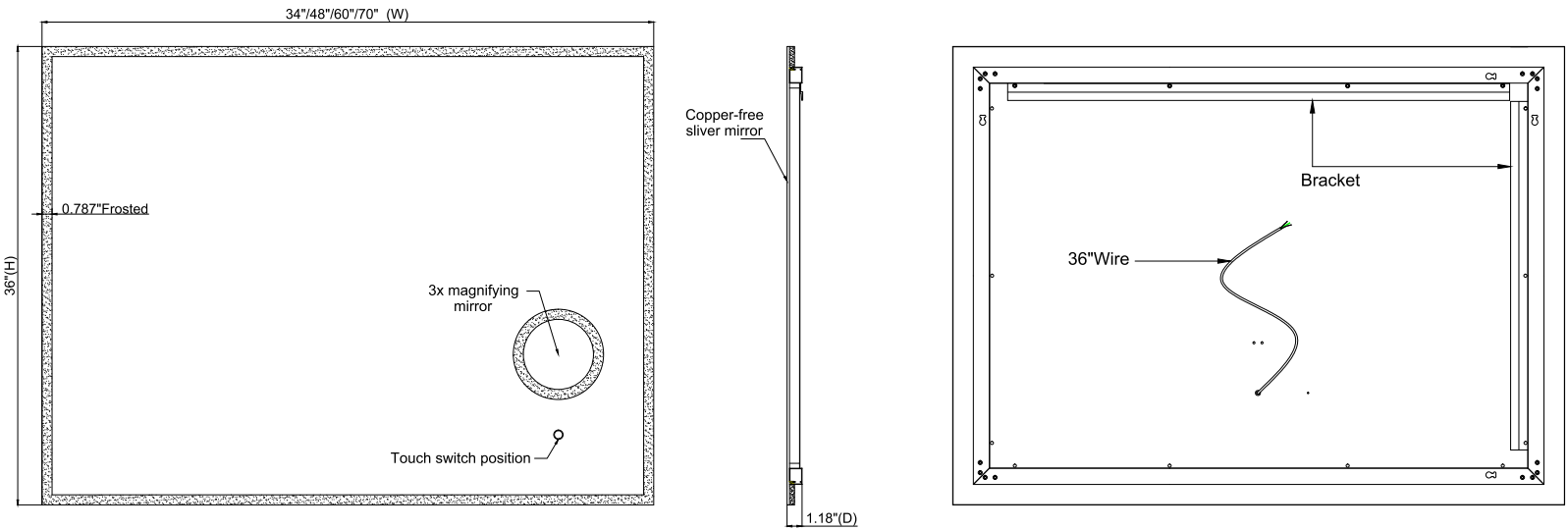
3.The Switch is with memory function.

When the LED light is turned on again, the Brightness of the LED light will be at the same status as it was turned off.

Luxaar

INSTALLATION INSTRUCTIONS

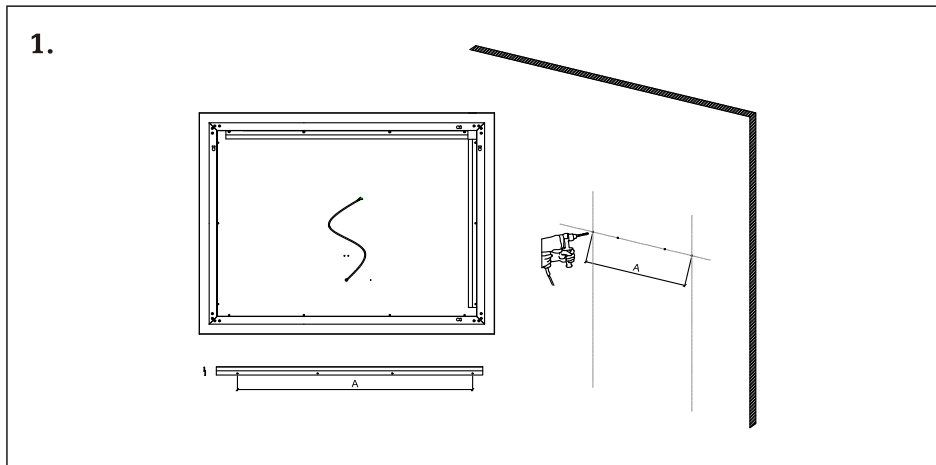
MODEL : LEDBM3436/LED4836/LED6036/LED7036



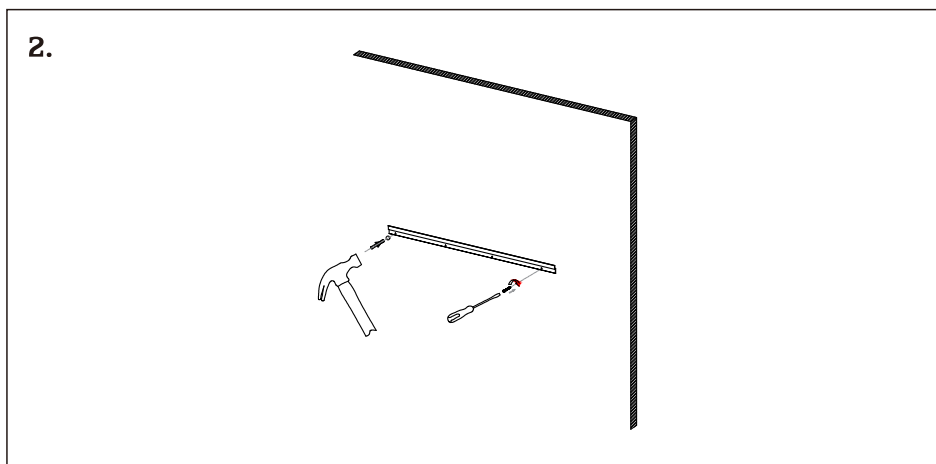
Luxaar

INSTALLATION INSTRUCTIONS

Installation procedure



1. Before your installation, make sure the location of the mirror is suitable, ensuring that the domestic main power supply is within reach of the electrical entry point of the mirror. Mounting bracket must be attached to wall stud. Measure the distance A and drill holes in the marked positions by using a suitable tool.

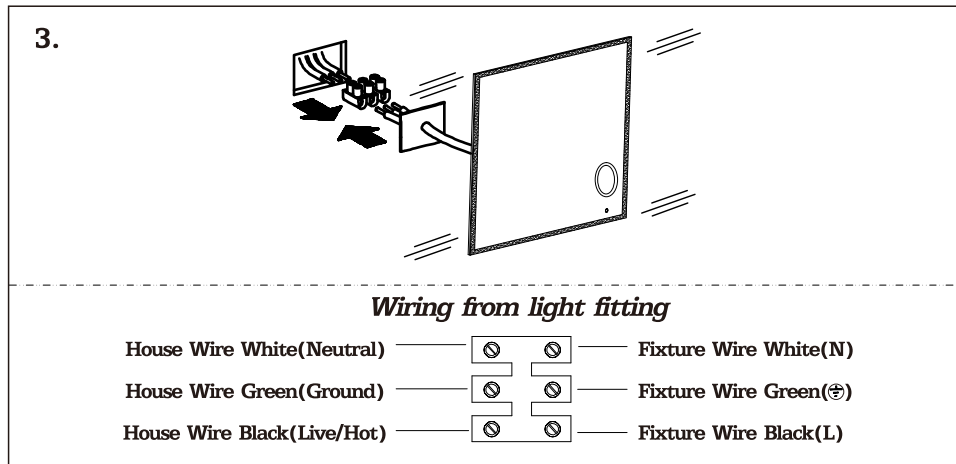


2. Insert the wall plugs on the surface of the wall. After that, fasten the supplied screws in to wall plugs. Attach the mounting bracket to the wall.

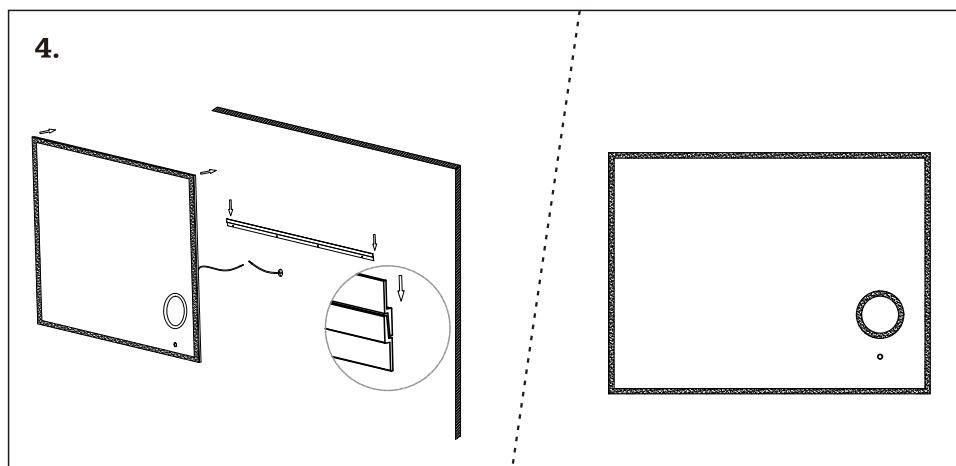
Luxaar

INSTALLATION INSTRUCTIONS

Installation procedure



3. You must have a Junction box in the wall. Carefully connect the Hard Wire to the mirror fixture wires. Please ensure the main electrical supply has been powered off to complete installation. Wiring from light fitting:
 House Wire Black(Live/Hot) to Fixture Wire Black
 House Wire White (Neutral) to Fixture Wire White
 House Wire Green (Ground) to Fixture Wire Green
 The input voltage required is 110V.



4. Hang the mirror on the bracket, peel off protective film and clean the mirror with a soft, dry non abrasive cloth. After that, turn on the domestic electrical main power supply for the mirror light.