

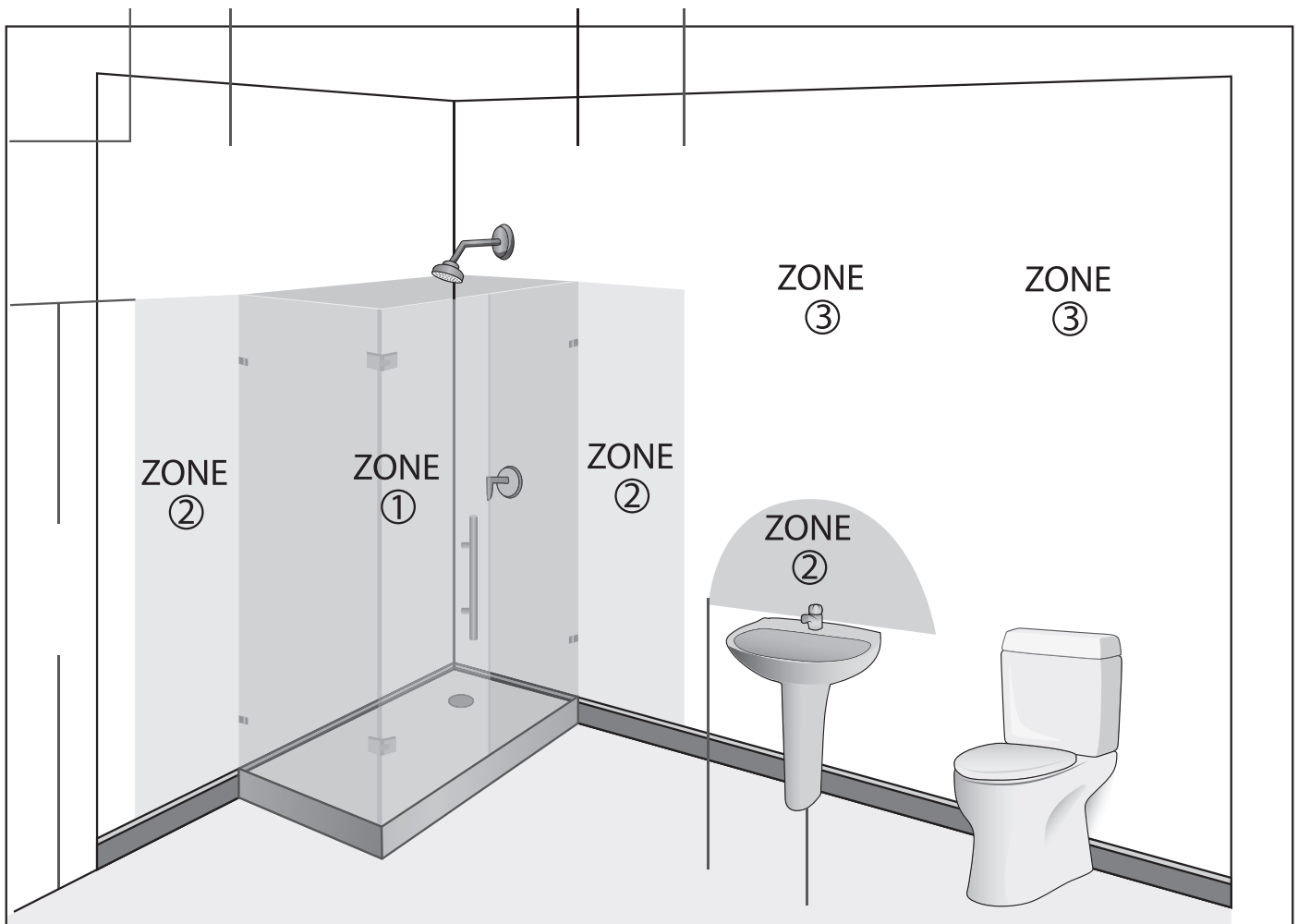
Rolls 2030

Medicine Cabinet Installation & User Guide

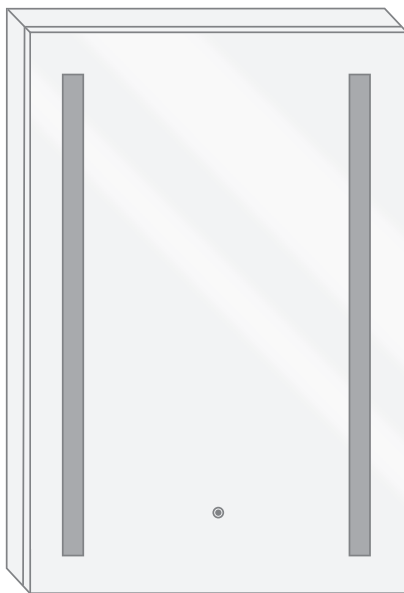


WARNING

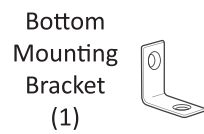
- All fittings must be installed in accordance with current IEE wiring regulations. If in doubt, consult a qualified electrician.
- Switch off the electrical supply at the main circuit board BEFORE installation and maintenance.
- Suitable for Bathroom Zones 2, 3 and non bathroom/dry areas. See diagram below.
- NOT suitable for above baths or Zone 1 nor for installation in Saunas, Steam Rooms or Shower Cubicles.
- DO NOT connect to a plug and socket outlet. Suitable for indoor use only.
- DO NOT fix to damp or conductive surfaces.
- Site well away from curtains and fabrics.
- Never cover the mirror.
- Switch off after use.



PARTS LIST



Cabinet
(1)



Bottom
Mounting
Bracket
(1)



Shelf Clip
(12)

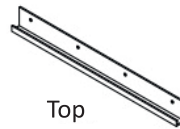


Glass Shelf
(3)



Wire Nut
(6)

Hardware
Screws
(6)



Top
Mounting
Bracket
(1)

Screw Cap
(16)



Hole Plug
(6)

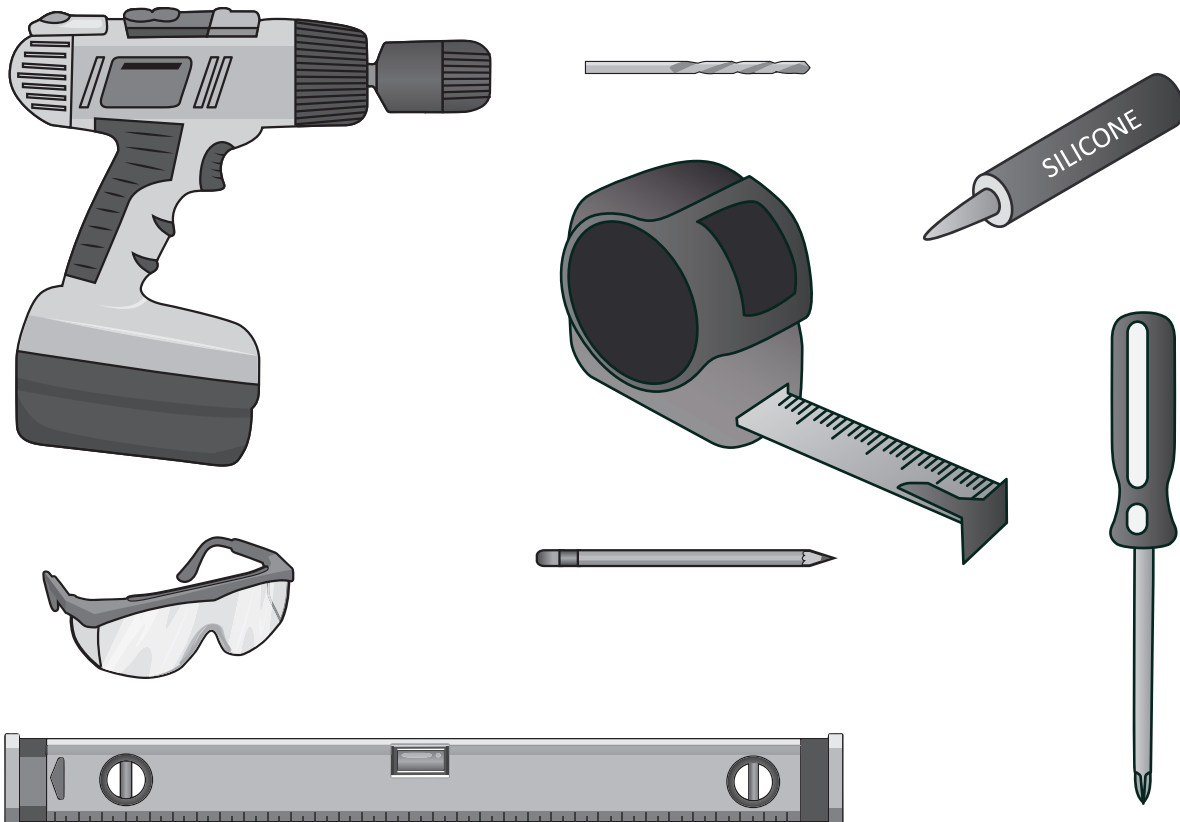
IMPORTANT—BEFORE YOU BEGIN

- Inspect the product immediately upon receipt for transit damage or missing parts.
- Handle the product with care and protect against knocks to all sides and edges of the glass.
- Make sure that you have all the tools you need to complete the job. (SEE BELOW)
- Ensure there are no hidden pipes or cables in the wall before drilling.
- If drilling holes in ceramic tiles use a piece of masking tape on the tile to stop the drill bit from slipping.

Aftercare Instructions

- Clean using a soft dry cloth only when turned off.
- Never use cleaning agents or abrasive materials.
- Do not allow moisture to come into contact with lamps.

TOOLS USED



ELECTRICAL WIRE INFORMATION

Rolls Electrical Connection

The LED Driver inside Rolls Cabinet already has converted the electric to 110 volts. You are able to connect lead coming out the back of the mirror directly to your electrical connection box.

The Lead Contains 3 Wires:

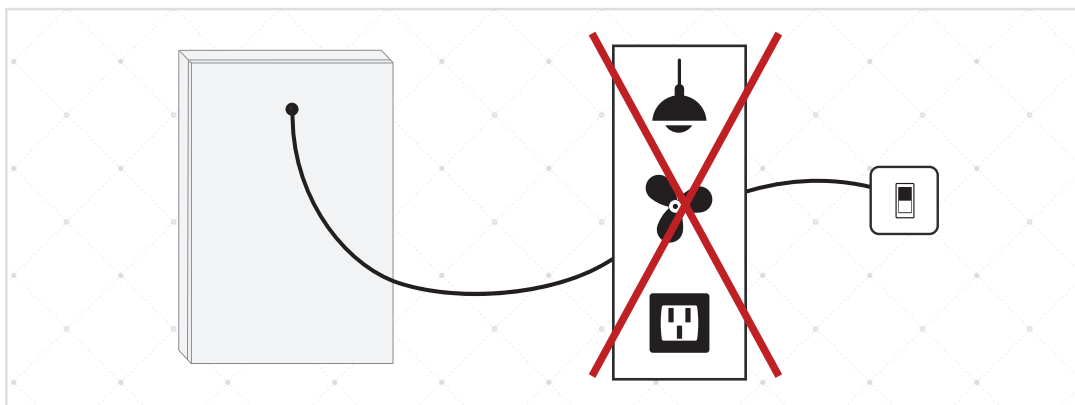
COPPER WIRE (GREEN) = *GROUND WIRE*...Connect to *GROUND WIRE* in your box, or to the box as a ground.

WHITE (or BROWN) = *NEUTRAL WIRE*...Connect to the *WHITE NEUTRAL WIRE* in your box.

BLACK (or BLUE) = *HOT WIRE*...Connect to the *BLACK HOT WIRE* in your box.

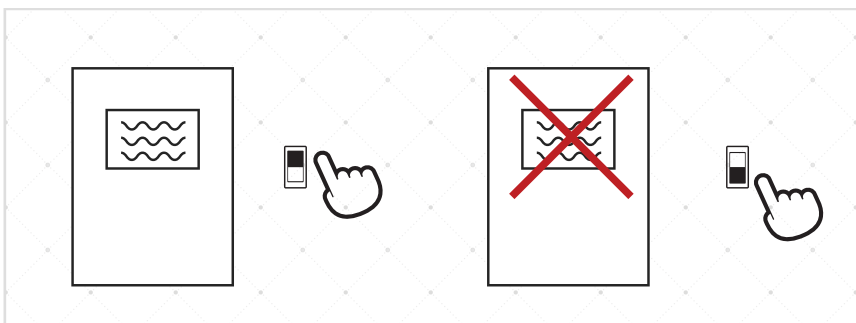
The Rolls wires will be connected to your 110 Volt electric box. This should be placed in the wall, behind your Rolls Cabinet. The suggested method for placement is towards the center, however there is flexibility with the lead wire.

Rolls Medicine Cabinet requires a dedicated electrical line

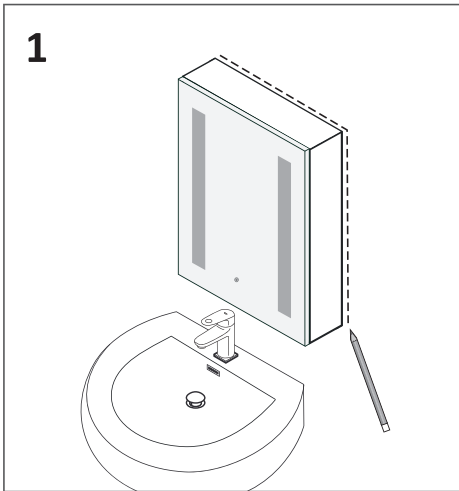


*Install optional outside switch to control the defogger
Refer to how to use guide for more information*

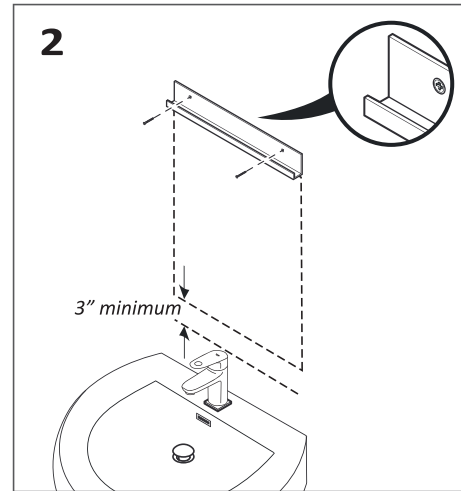
You CANNOT use an outside dimmer with the mirror



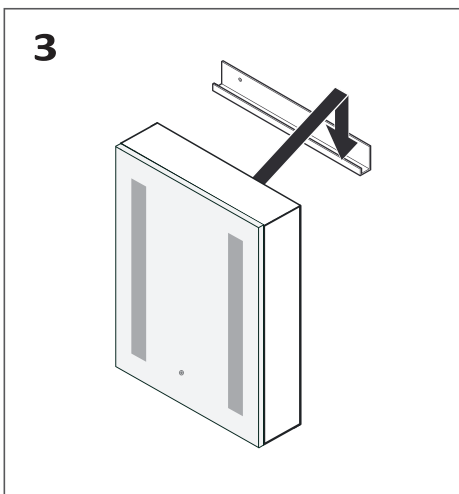
INSTALLATION



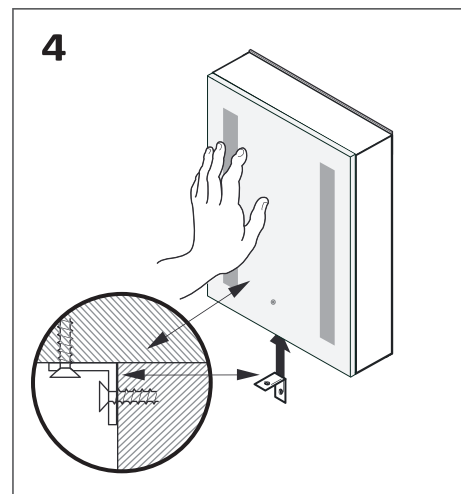
Level and mark the cabinet's location on the wall



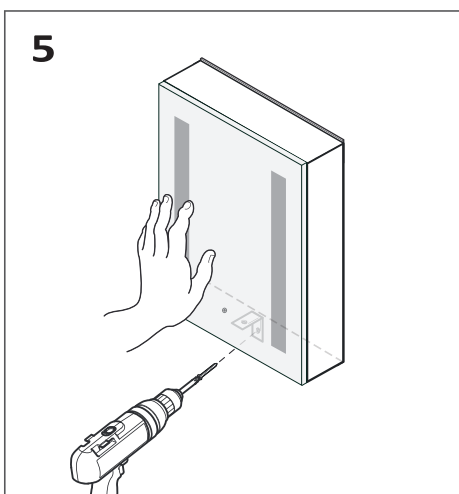
Attach the top bracket to wall



With assistance hang the cabinet on the top mounting bracket and hold in place

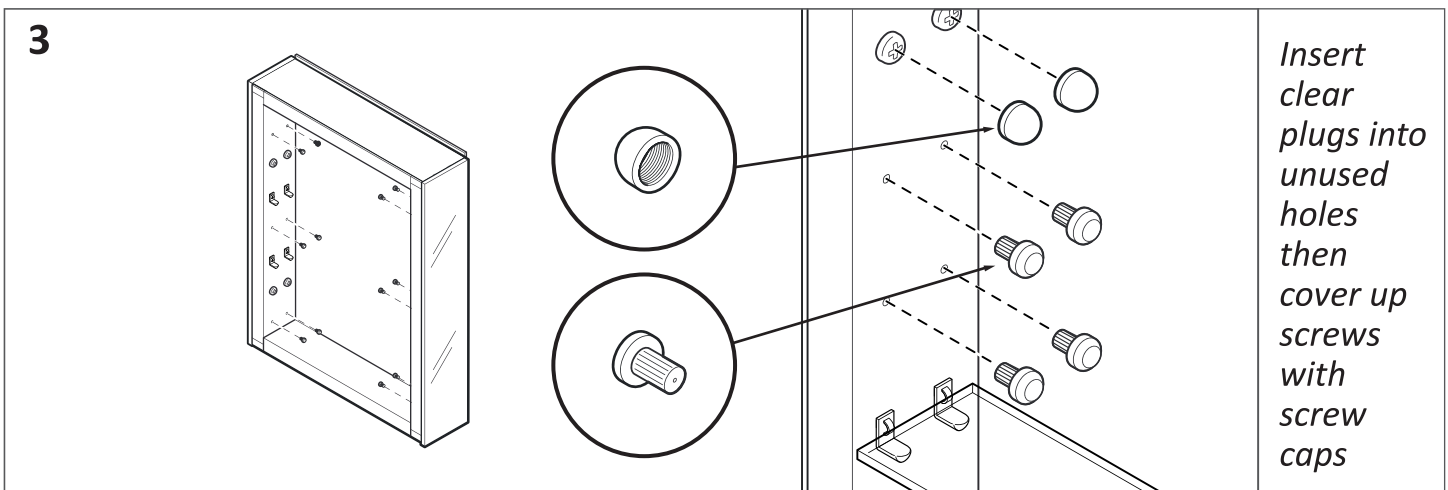
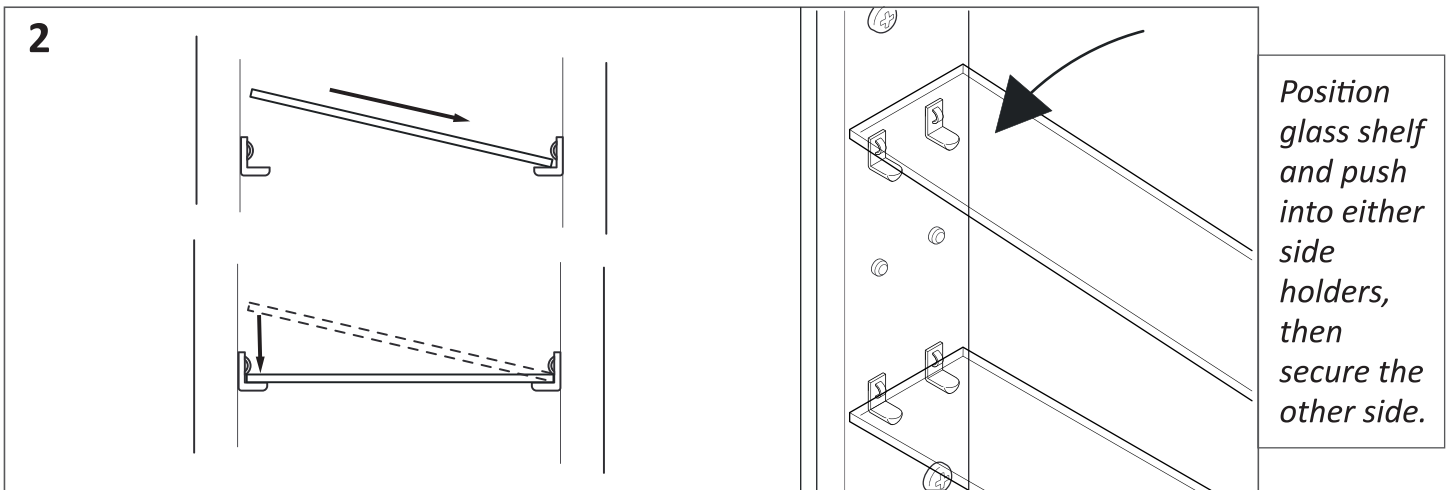
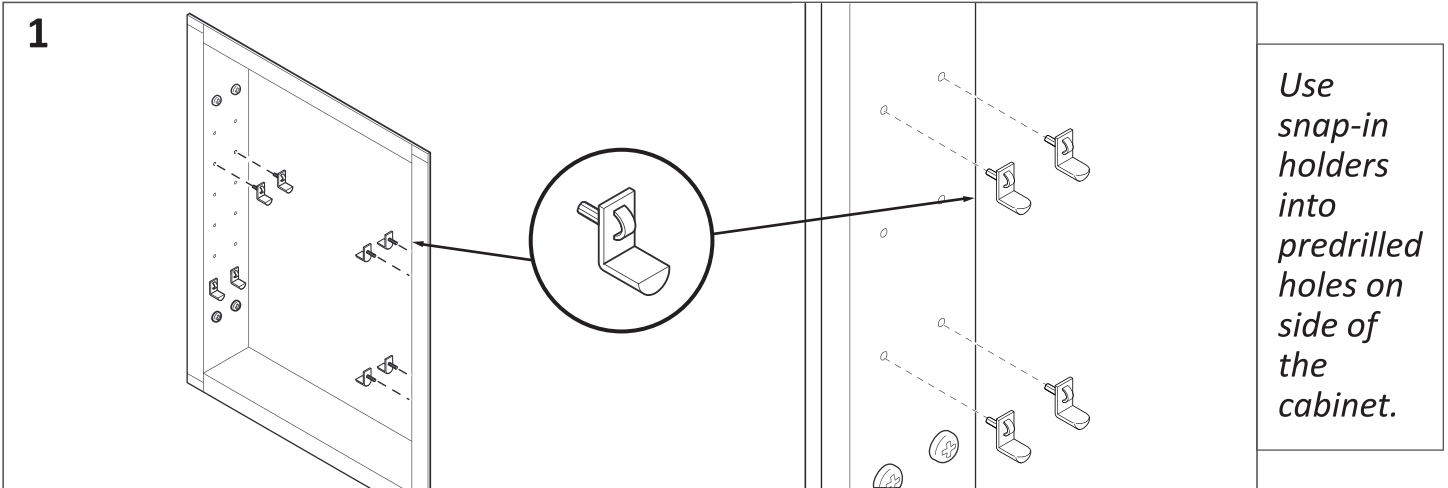


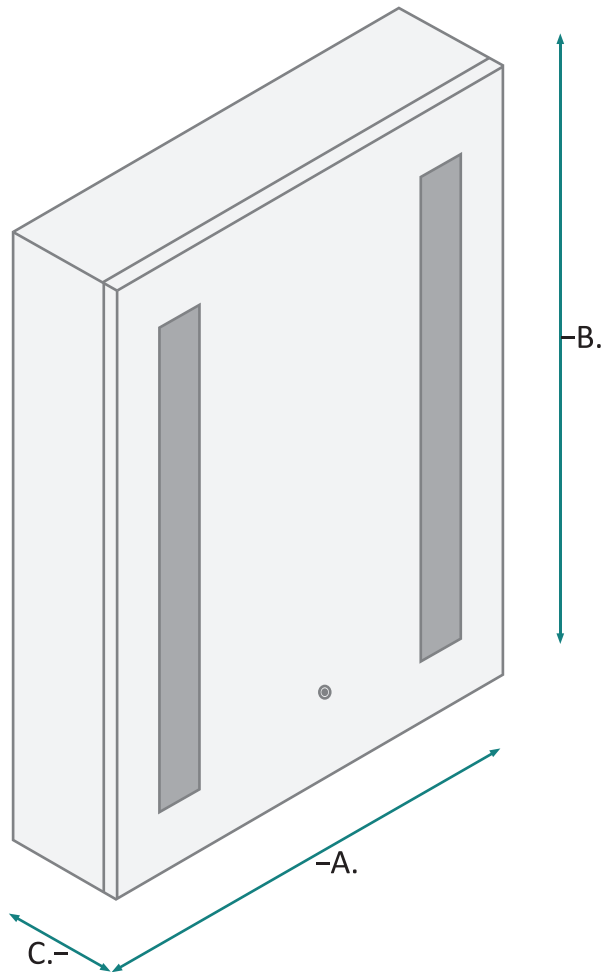
Insert bottom mounting bracket into the bottom of the cabinet



Attach the bottom mounting bracket to the wall using a screw gun

FINAL ASSEMBLY





- A** - Cabinet's Width
- B** - Cabinet's Height
- C** - Cabinet's Depth

MODELS	A	B	C
ROLLS 2030L	20	30	6
ROLLS 2030R	20	30	6

Note: All dimensions & specifications are approximate and subject to change without notice.

USE AND MAINTENANCE

- The interior is constructed of mirrored glass and aluminum. Use only a damp cloth to clean. Ammonia or vinegar-based cleaners can damage mirrors.
- When cleaning, spray the cloth, not the mirror, or surrounding surfaces. Do not use abrasive cleansers on any part of the light fixture.

LIMITED LIFETIME WARRANTY

Subject to the terms and conditions specified herein, Krugg Reflections USA LLC, (“KRUGG”) hereby extends a limited lifetime warranty (this “Limited Warranty”) to original Purchasers (as defined below) of the Krugg LED Medicine Cabinet (the “Product”) with respect to certain specified components of the Product. Specifically, KRUGG, by this Limited Warranty, warrants that, for the durations specified herein, Products purchased directly from KRUGG or KRUGG’s authorized retailers will be free of defects in the material and workmanship of the Product’s electrical components, glass, mirrors, and certain mechanical components, which defects would cause the Product to substantially fail to function when subject to normal use.

ONE-YEAR LIMITED COMMERCIAL WARRANTY

Subject to the terms and conditions specified herein, Krugg Reflections USA LLC, (“KRUGG”) hereby extends a limited one-year warranty (this “Limited Warranty”) to Commercial Purchasers (as defined below) of the Krugg LED Medicine Cabinet (the “Product”) with respect to certain specified structural components of the Product. Specifically, KRUGG, by this Limited Warranty, warrants that, for a one-year period, Products purchased directly from KRUGG or KRUGG’s authorized retailers will be free of defects in the material and workmanship of the Product’s electrical components, glass, mirrors, and certain mechanical components, which defects would cause the Product to substantially fail to function when subject to normal use.