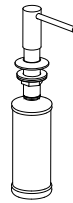




Installation Guide



KSD100



KSD101

Installation Considerations

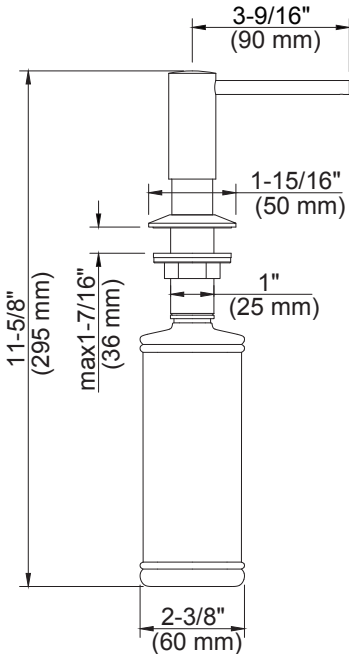
These products should be located and mounted to a countertop or kitchen sink with soap dispenser hole.

Keep this booklet and the receipt (or other proof of date and place of purchase) for this product in a safe place. The receipt is required should it be necessary to request warranty parts.

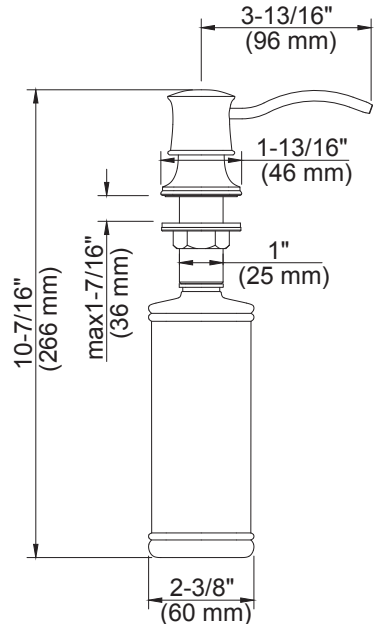
Please keep the box and packaging materials until your product is completely installed.

Dimensions

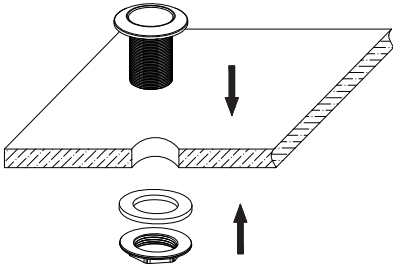
KSD100



KSD101



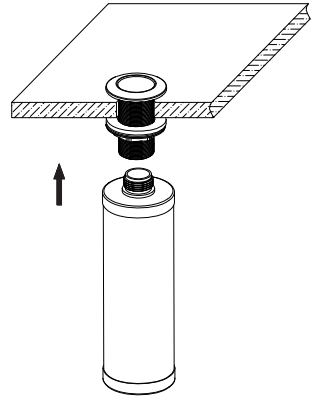
1



Put one washer into the groove in the bottom of the neck and then pass the threaded part of the neck through the countertop hole.

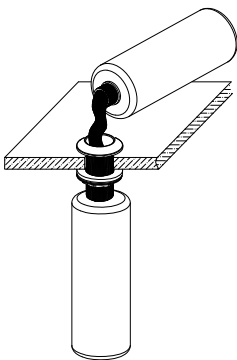
Put the second washer to the threaded part of the neck, under the sink. Then install the nut and hand tighten to keep it in place.

2



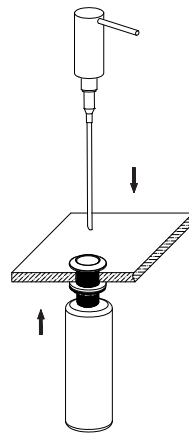
Then hand tight (gently) the soap container into the thread of the neck.

3



Now fill the container with the soap by pouring it from the top.

4



Insert the soap dispenser pump from the top. It may take a few pumps before the soap works its way through the nozzle.

Cleaning Instructions:

We DO NOT recommend using any household cleaners to clean the product. The product should be cleaned only with soapy water. Rinsed with clean water and dry with a soft cloth.

Warranty:

Warranted to be free from manufacturing defects for a period of one (1) year from the date of purchase.