

# CRAFTMADE

KENSWICK #35403-PR / #35404-PR

**PLEASE READ AND SAVE FOR FUTURE REFERENCE.**

## CAUTION

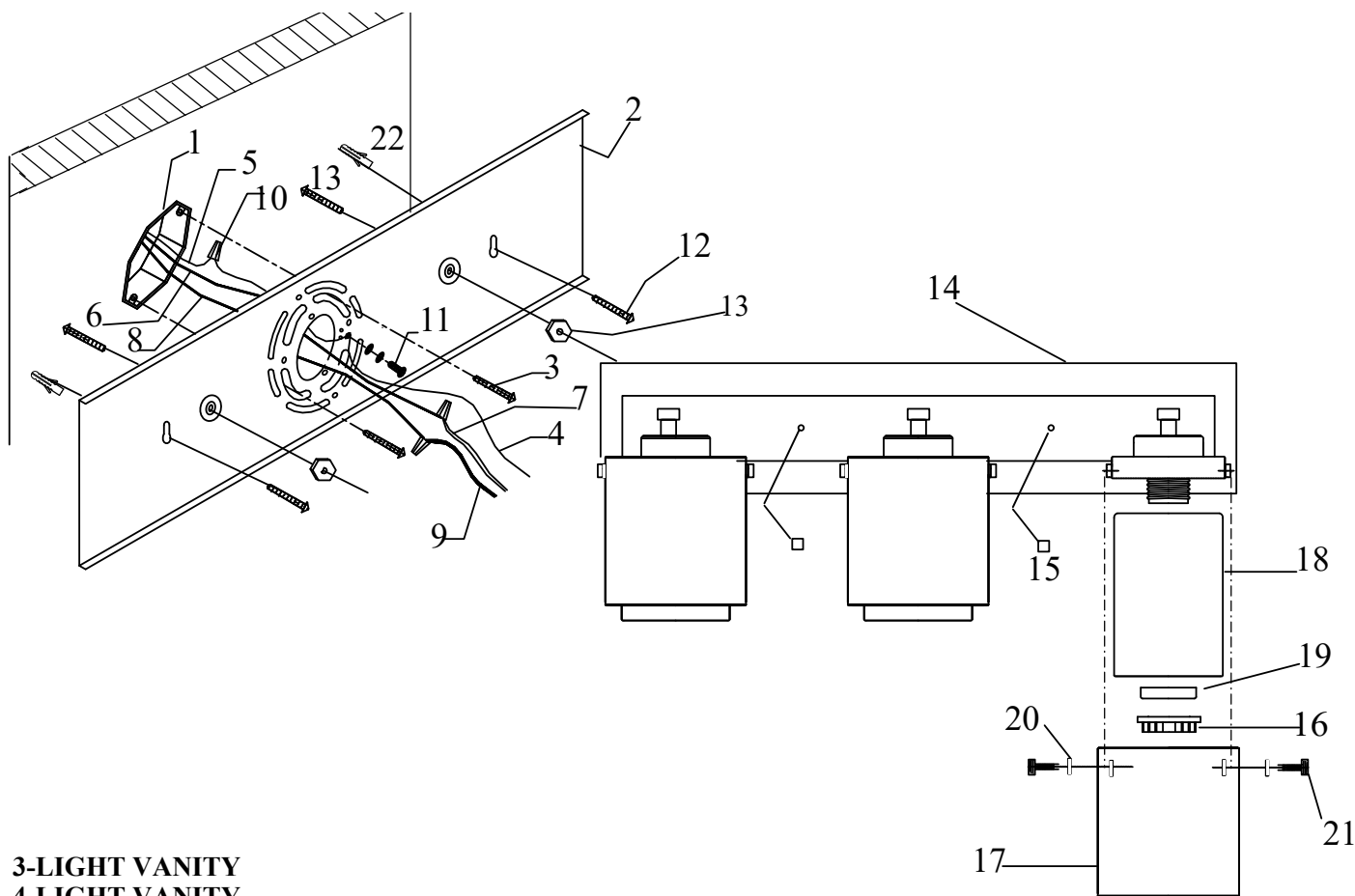
1. Turn off the main power at the circuit breaker before installing the fixture in order to prevent possible shock.
2. All electrical connections must be in accordance with local and National Electrical Code (N.E.C.) standards. If you are unfamiliar with proper electrical wiring connections obtain the services of a qualified electrician.

## GENERAL

Remove all parts and hardware from the box and make sure that none are missing by referencing the illustrations provided.

**Bulbs Required (not included): 3 Medium Base 100 Watt Max. (for 3-light vanity bar)**

**4 Medium Base 100 Watt Max. (for 4-light vanity bar)**



**3-LIGHT VANITY  
4-LIGHT VANITY**

- |  |  |
|--|--|
| 1) Outlet Box (not included)                                 | 12) Wall Anchor Screw                          |
| 2) Mounting Plate  | 13) Fixture Screws and Hex Nuts (pre-attached) |
| 3) Outlet Box Screw and Washers (pre-attached to outlet box) | 14) Fixture                                    |
| 4) Fixture Ground Wire                                       | 15) Decorative Nut                             |
| 5) Supply Ground Wire (not included)                         | 16) Socket Rings (pre-attached)                |
| 6) White Supply Wire (not included)                          | 17) Clear Glass                                |
| 7) Ribbed (or White) Fixture Lead Wire                       | 18) Alabaster Glass                            |
| 8) Black Supply Wire (not included)                          | 19) Socket Rings (pre-attached)                |
| 9) Smooth (or Black) Fixture Lead Wire                       | 20) Rubber Washers (pre-attached)              |
| 10) Wire Connector   | 21) Decorative Screws (pre-attached)           |
| 11) Ground Screw (pre-attached)                              | 22) Wall Anchors                               |