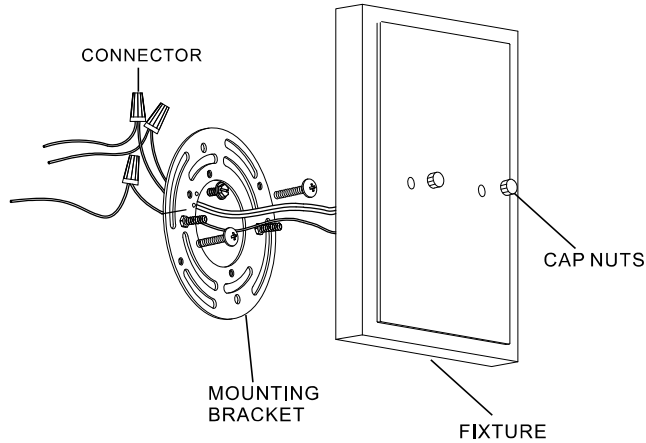


## INSTALLATION INSTRUCTION FOR WALL LAMP



### CAUTION: DISCONNECT POWER DURING INSTALLATION

- 1.) IF YOU ARE REPLACING AN EXISTING FIXTURE, DISCONNECT AND REMOVE THE OLD FIXTURE, EXPOSE THE SUPPLY WIRING FROM THE OUTLET BOX.
- 2.) THREAD THE MACHINE SCREWS INTO THE OPPOSITE SIDE OF THE MOUNTING BRACKET FROM THE GREEN GROUND SCREW. LOCK THE MACHINE SCREWS INTO PLACE WITH LOCK NUTS.
- 3.) FASTEN THE MOUNTING BRACKET TO THE OUTLET BOX USING THE TWO SCREWS SUPPLIED WITH THE OUTLET BOX.
- 4.) STREND THE ELECTRICAL WIRES SO THAT THE BLACK WIRES ARE ON ONE SIDE OF THE OUTLET BOX AND THE WHITE WIRES ARE ON THE OTHER SIDE.
- 5.) GROUNDING INSTRUCTIONS.
  - A) ON FIXTURES WHERE MOUNTING BRACKET IS PROVIDED WITH A GREEN SCREW AND TWO REISED DIMPLES. WRAP GROUND WIRE FROM OUTLET BOX MOUND GREEN GROUND SCREW AND TIGHTEN.
  - B) ON FIXTURES WHERE MOUNTING BRACKET IS PROVIDED WITH A GREEN GROUND WIRE ATTACHED. CONNECT MOUNTING PLATE GROUND WIRE TO GROUND WIRE CONNECTOR.
- 6.) TO MAKE ELECTRICAL CONNECTIONS: CONNECT THE WHITE WIRE(S) FROM THE FIXTURE TO THE WHITE WIRE OF THE OUTLET BOX. CONNECT THE BLACK WIRE(S) FROM THE FIXTURE TO THE BLACK WIRE OF THE OUTLET BOX. NOTE: BLACK OUTLET BOX WIRE MAYBE RED, ROUND & SMOOTH AND / OR HAVE COPPER CONDUCTOR. WHITE OUTLET BOX WIRE MAYBE SQUARE & RIDGED AND / OR HAVE A SILVER CONDUCTOR.
- 7.) PLACE FIXTURE AGAINST MOUNTING SURFACE ALLOWING THE MACHINE SCREWS TO PASS THROUGH THE FIXTURE COVER PLATE. SECURE WITH CAP NUTS.

## INSTALLATION

1. REMOVE SOCKET RING FROM SOCKET.
2. POSITION GLASS ON LAMP. SECURE WITH SOCKET RING.
3. INSTALL BULBS. (BULB NOT INCLUDED).

7001-1S/7001-2V/7001-3V/7001-4V/7001-5V

