

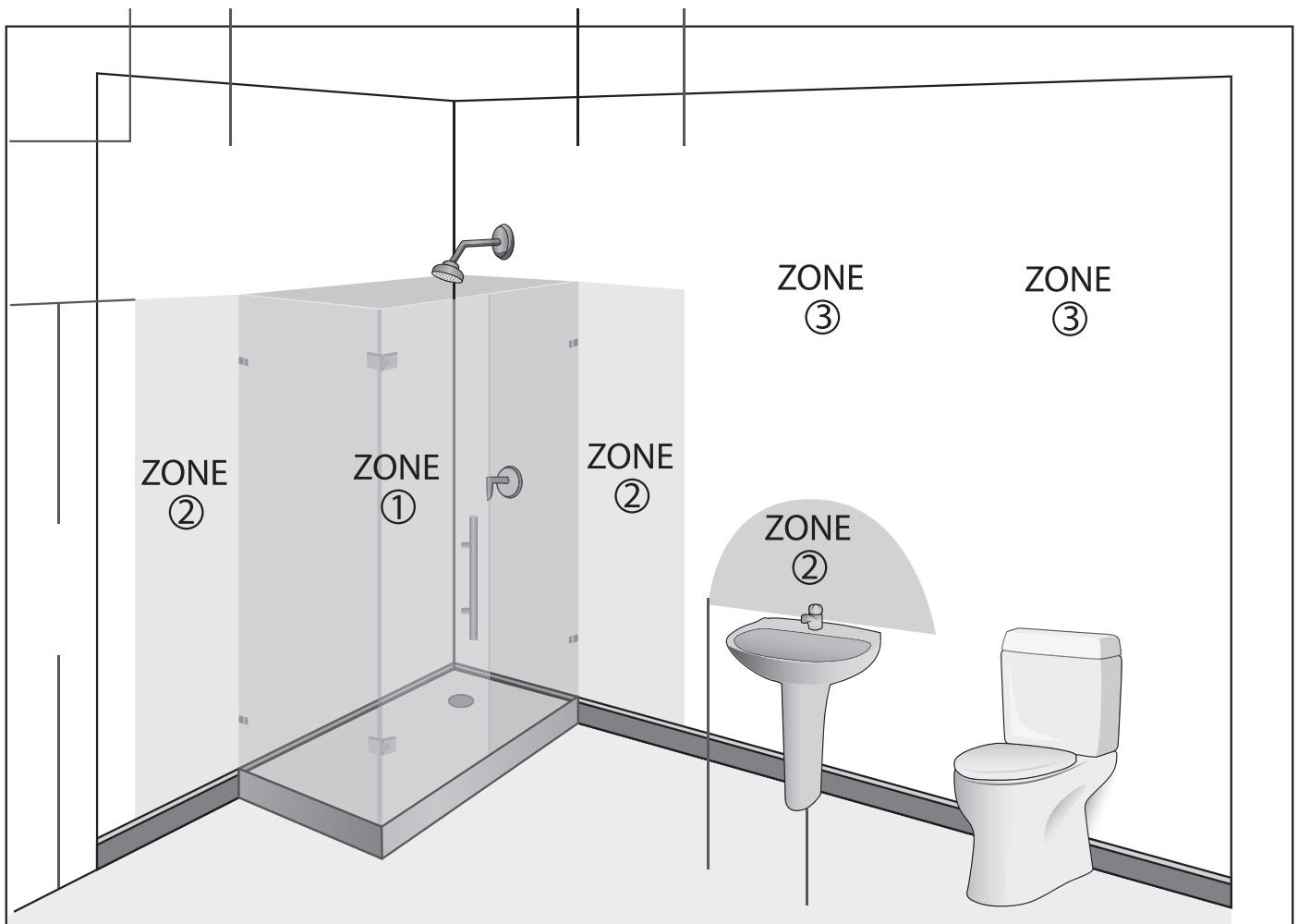
SVANGE

Medicine Cabinet Installation & User Guide

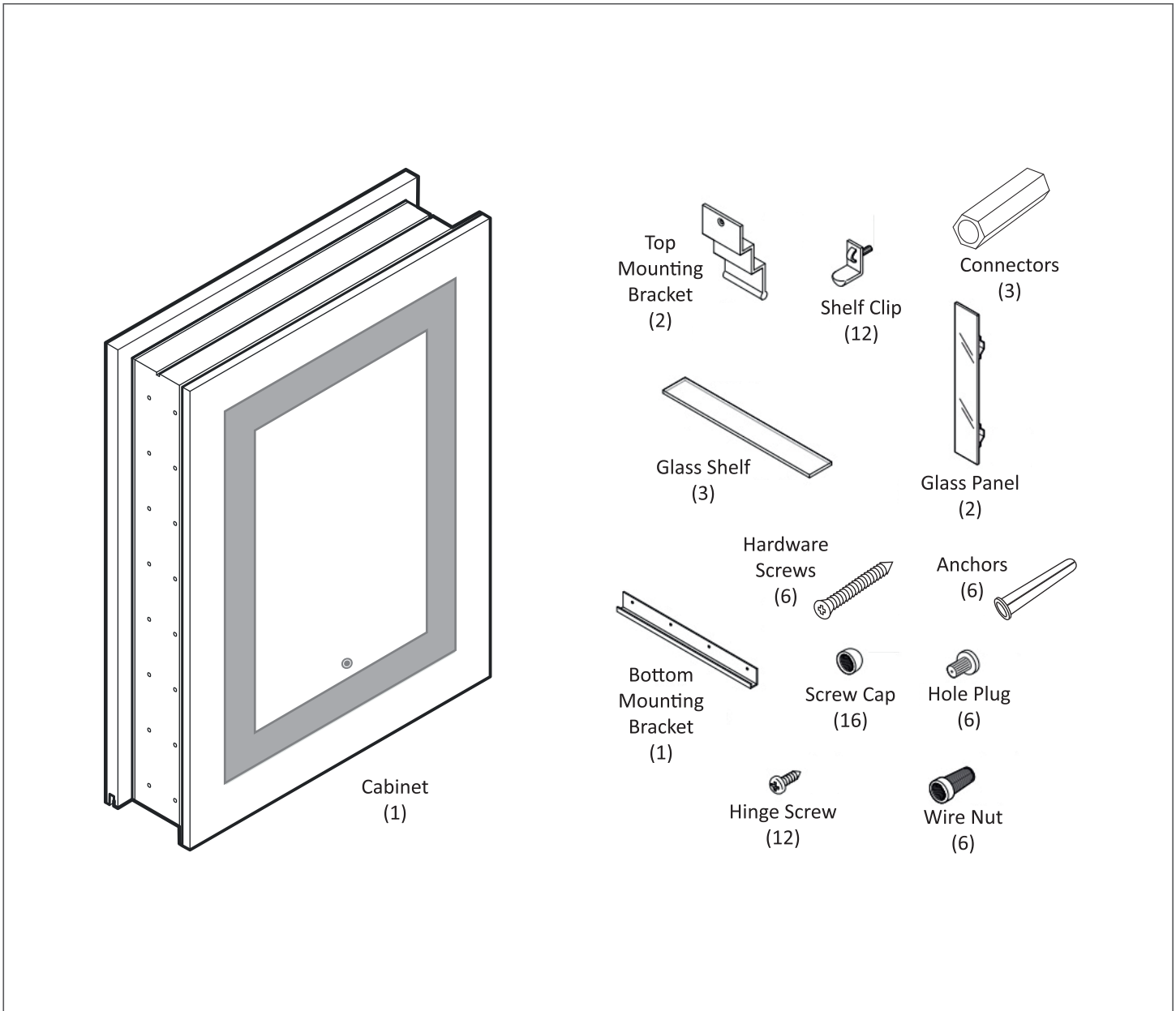


WARNING

- All fittings must be installed in accordance with current IEE wiring regulations. If in doubt, consult a qualified electrician.
- Switch off the electrical supply at the main circuit board BEFORE installation and maintenance.
- Suitable for Bathroom Zones 2, 3 and non bathroom/dry areas. See diagram below.
- NOT suitable for above baths or Zone 1 nor for installation in Saunas, Steam Rooms or Shower Cubicles.
- DO NOT connect to a plug and socket outlet. Suitable for indoor use only.
- DO NOT fix to damp or conductive surfaces.
- Site well away from curtains and fabrics.
- Never cover the mirror.
- Switch off after use.



PARTS LIST



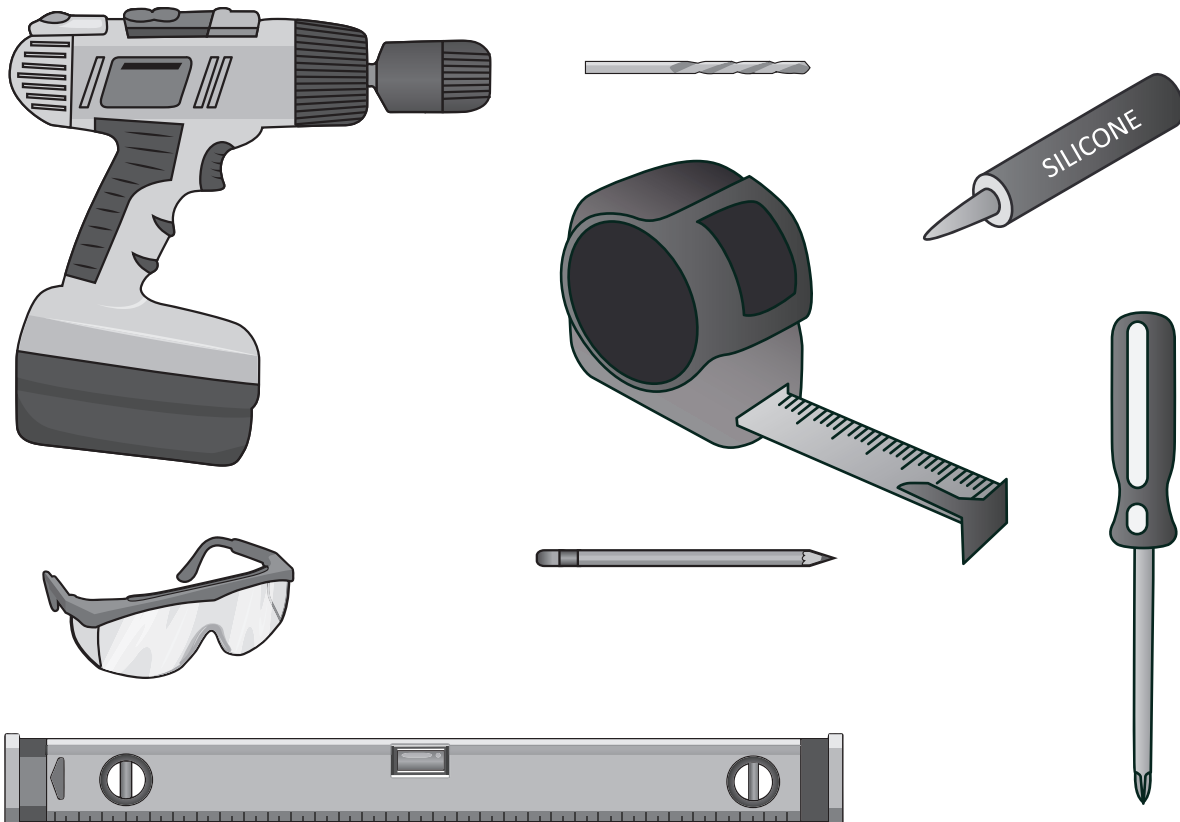
IMPORTANT—BEFORE YOU BEGIN

- Inspect the product immediately upon receipt for transit damage or missing parts.
- Handle the product with care and protect against knocks to all sides and edges of the glass.
- Make sure that you have all the tools you need to complete the job. (SEE BELOW)
- Ensure there are no hidden pipes or cables in the wall before drilling.
- If drilling holes in ceramic tiles use a piece of masking tape on the tile to stop the drill bit from slipping.

Aftercare Instructions

- Clean using a soft dry cloth only when turned off.
- Never use cleaning agents or abrasive materials.
- Do not allow moisture to come into contact with lamps.

TOOLS USED



ELECTRICAL WIRE INFORMATION

Svange Electrical Connection

The LED Driver inside Svange Cabinet already has converted the electric to 110 volts. You are able to connect lead coming out the back of the mirror directly to your electrical connection box.

The Lead Contains 3 Wires:

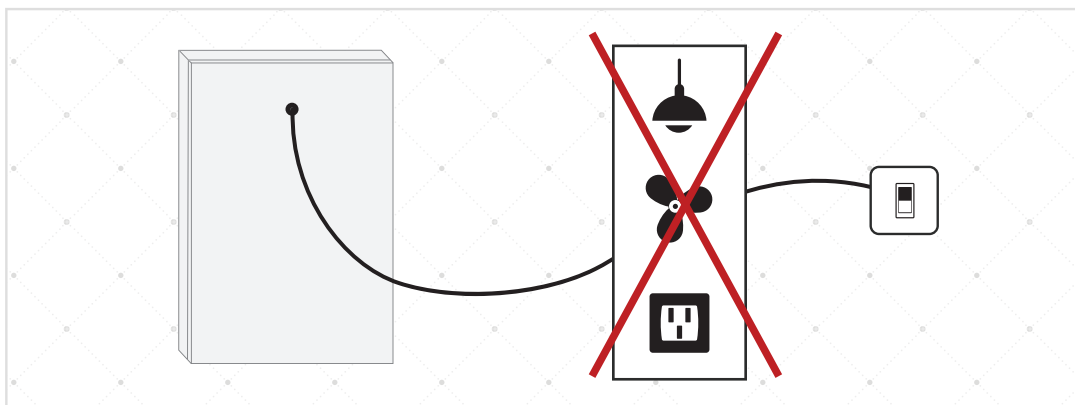
COPPER WIRE (GREEN) = *GROUND WIRE*...Connect to *GROUND WIRE* in your box, or to the box as a ground.

WHITE (or BROWN) = *NEUTRAL WIRE*...Connect to the *WHITE NEUTRAL WIRE* in your box.

BLACK (or BLUE) = *HOT WIRE*...Connect to the *BLACK HOT WIRE* in your box.

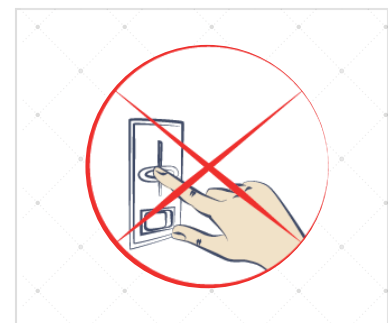
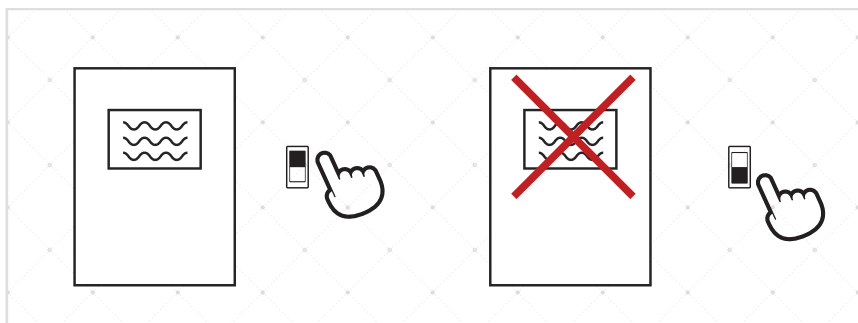
The Svange wires will be connected to your 110 Volt electric box. This should be placed in the wall, behind your Svange Cabinet. The suggested method for placement is towards the center, however there is flexibility with the lead wire.

Svange Medicine Cabinet requires a dedicated electrical line

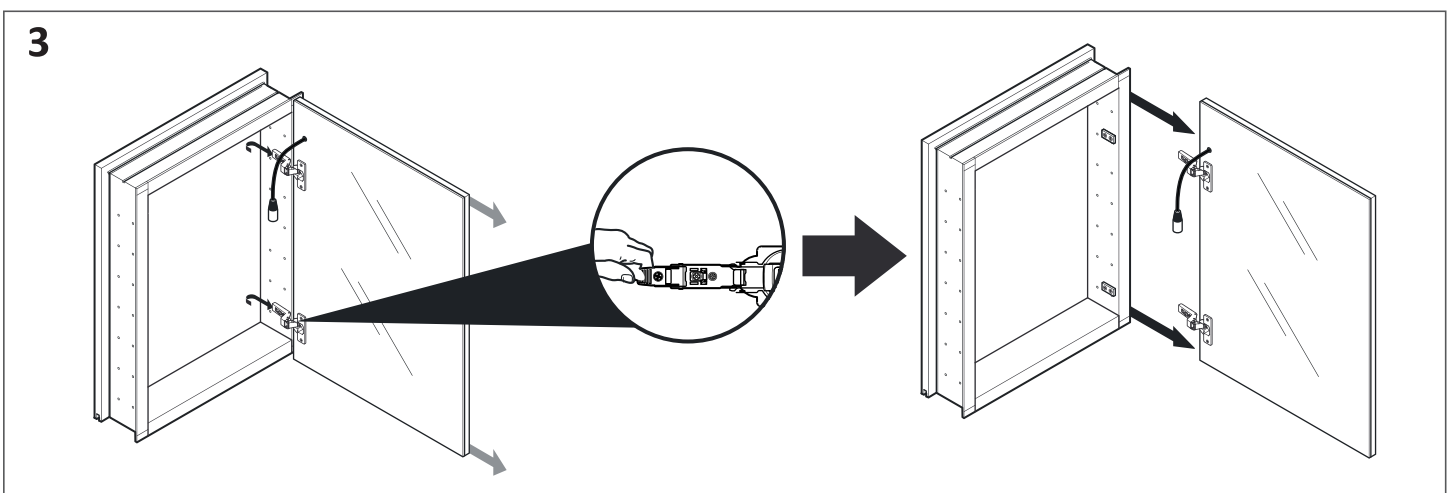
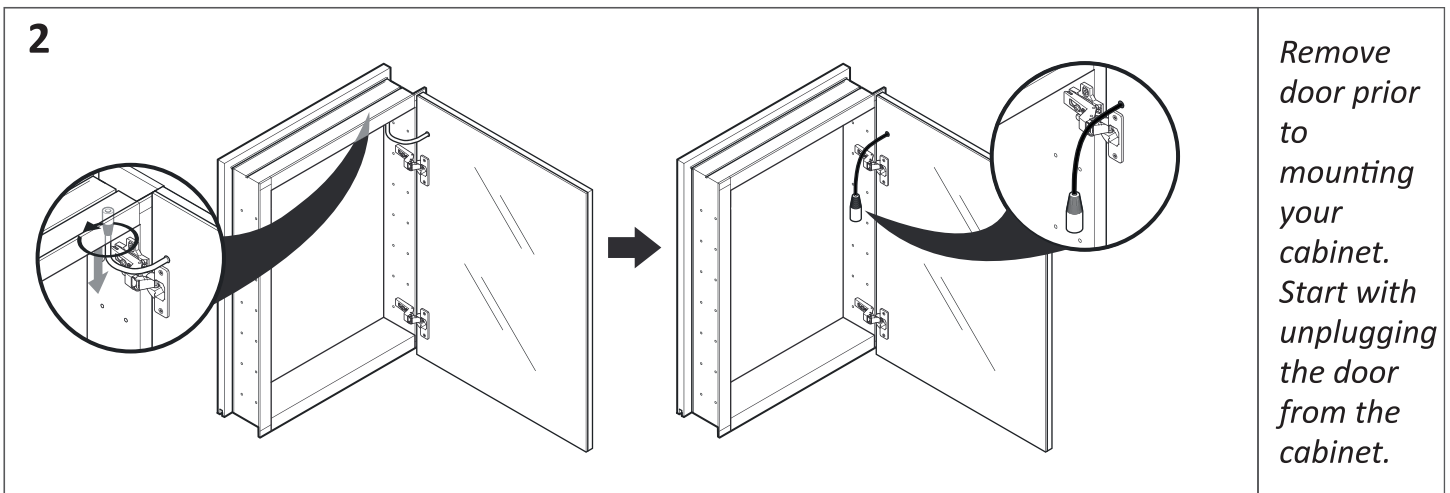
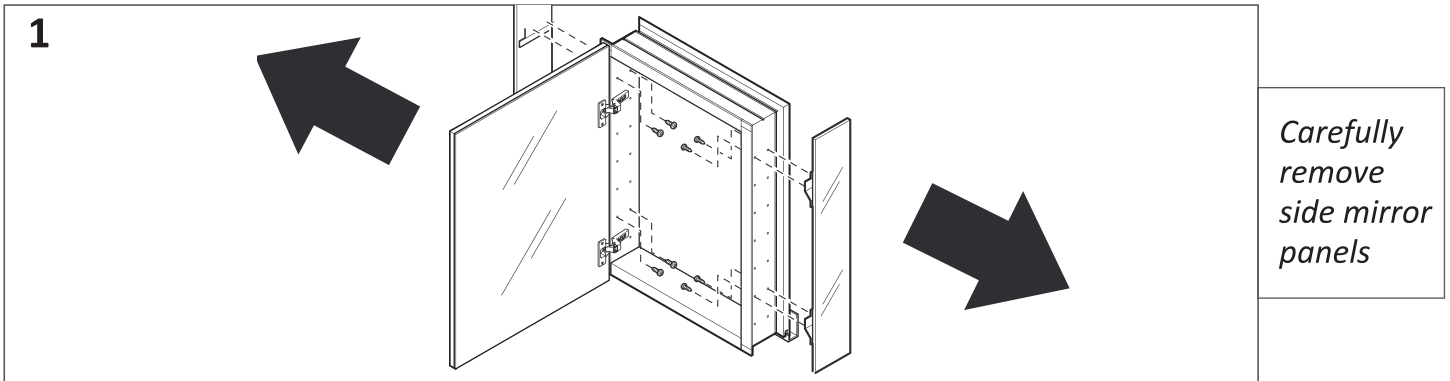


*Install optional outside switch to control the defogger
Refer to how to use guide for more information*

You CANNOT use an outside dimmer with the mirror

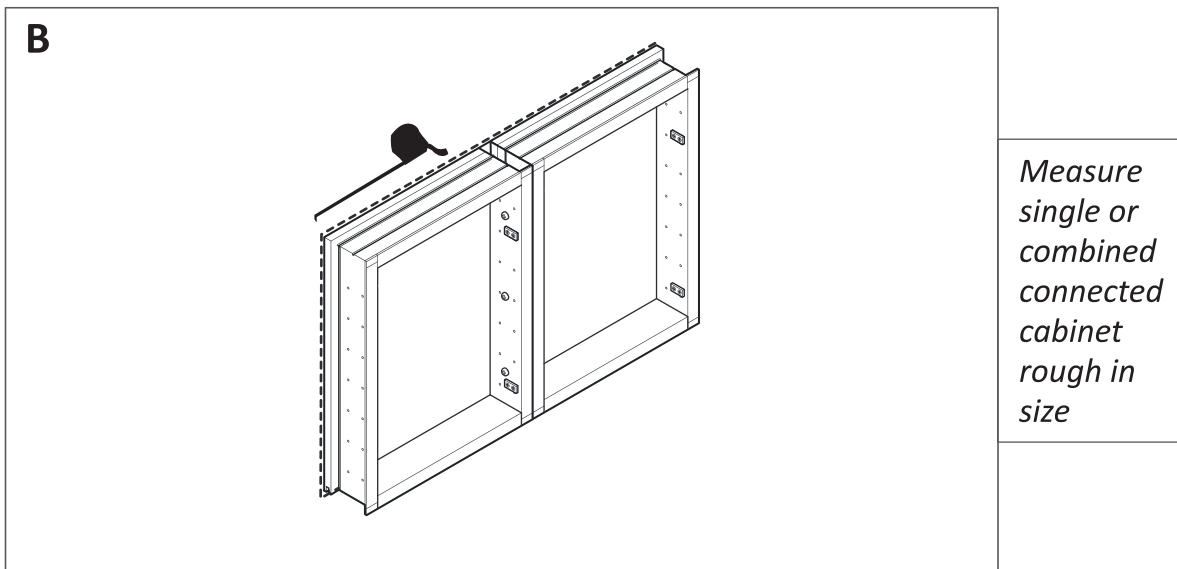
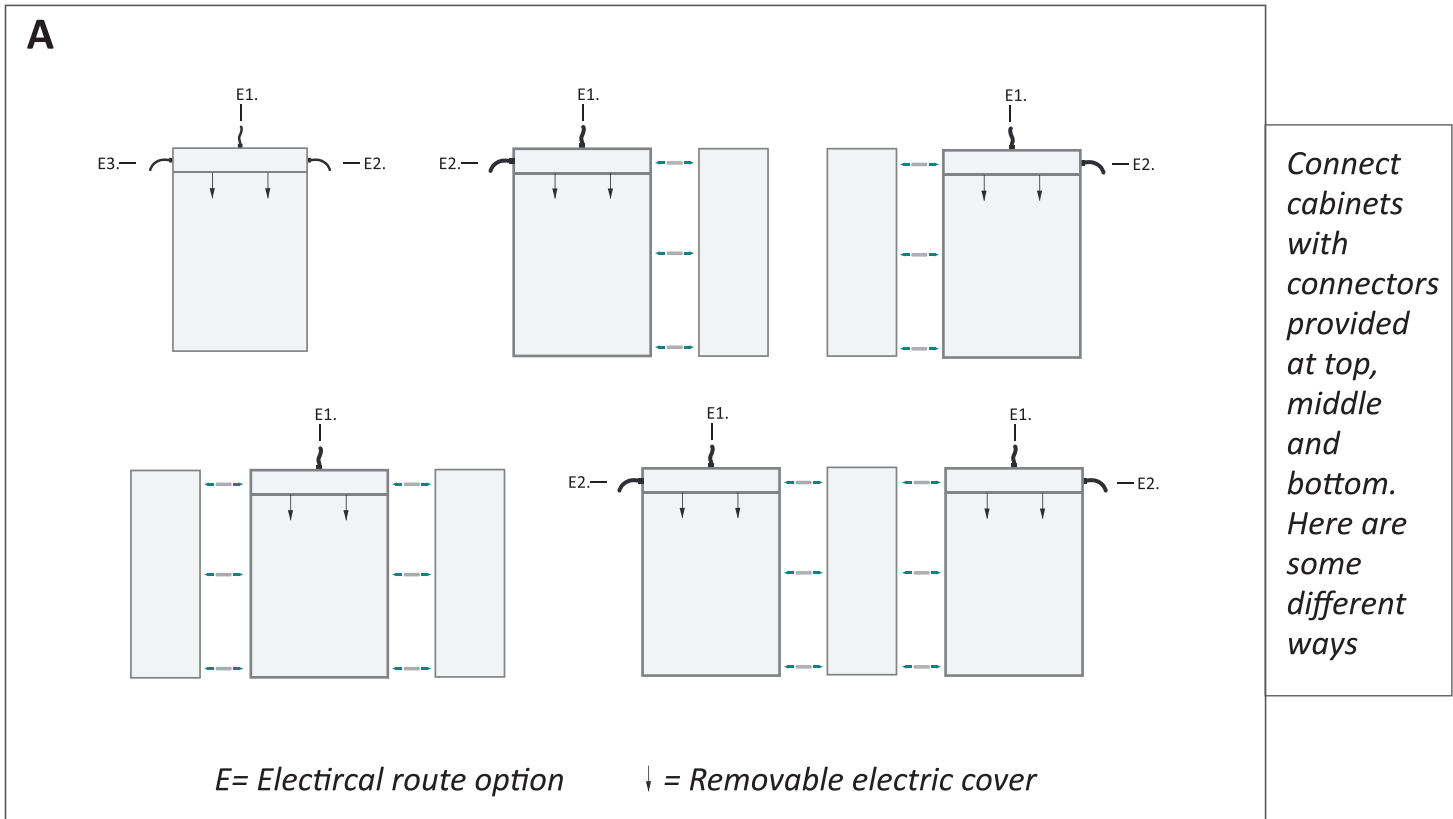


RECESS MOUNT INSTALLATION

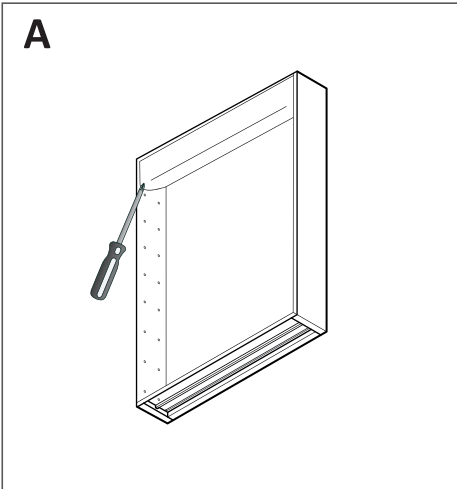


While supporting the door release (the lever under the hinge arm), slide the door off the frame.

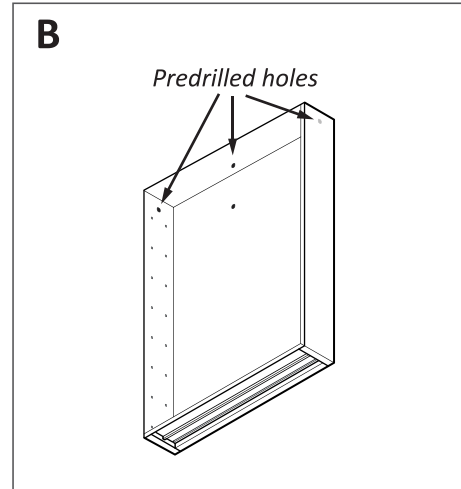
CONNECTING CABINETS (OPTIONAL RECESS MOUNTING)



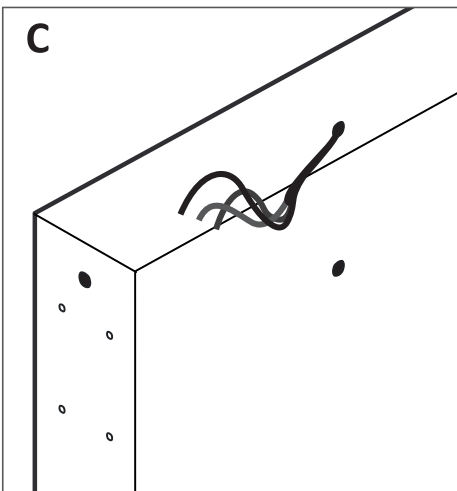
ELECTICAL PREPARATION



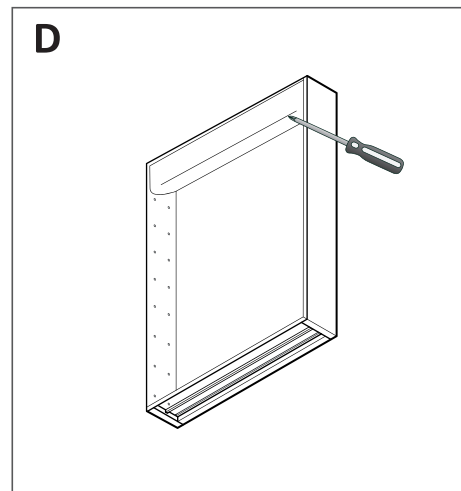
Remove the electric box panel inside the cabinet



Use optional predrilled holes for electrical connection

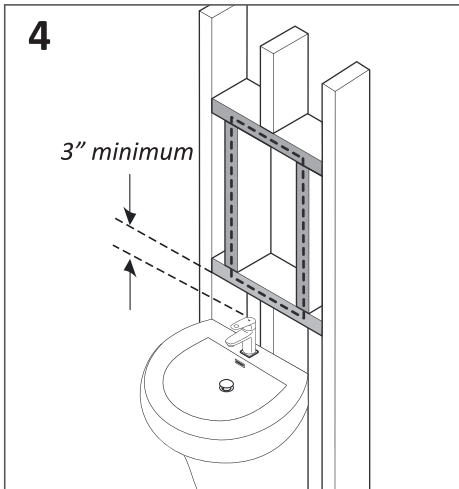


With panel removed change the location of electrical cord according to your electrical needs

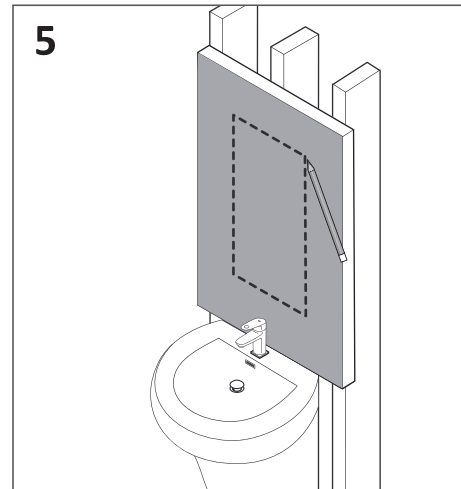


Reattach the electrical box panel

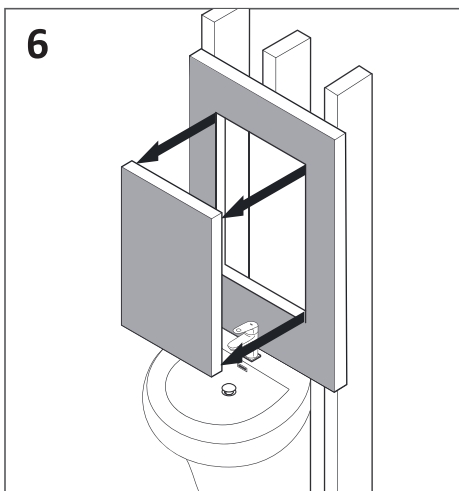
RECESS MOUNT INSTALLATION CONTINUED



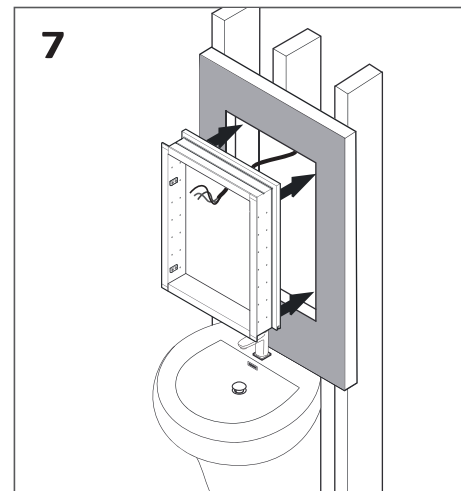
Frame the opening for the cabinet based on the measurement



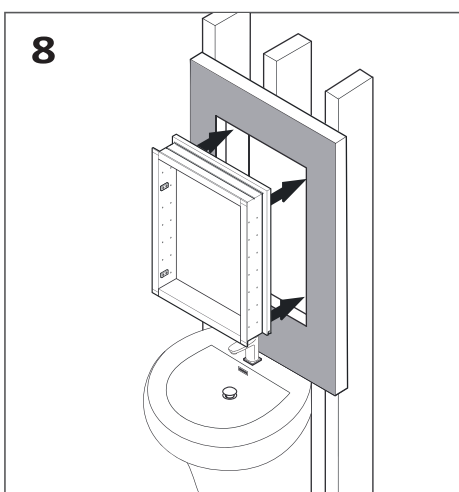
Draw the perimeter of the cabinet on the wall



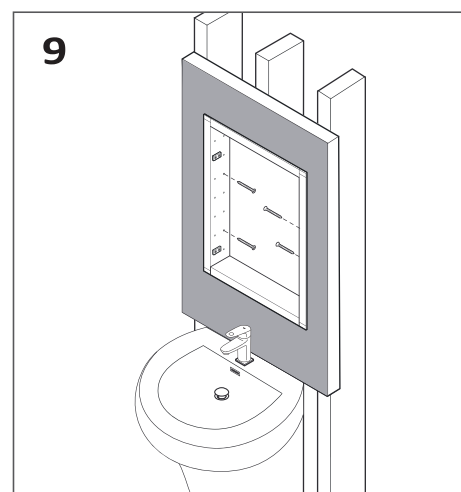
Cut the marked perimeter with suitable tool



Connect electrical wires before inserting the cabinet into the opening

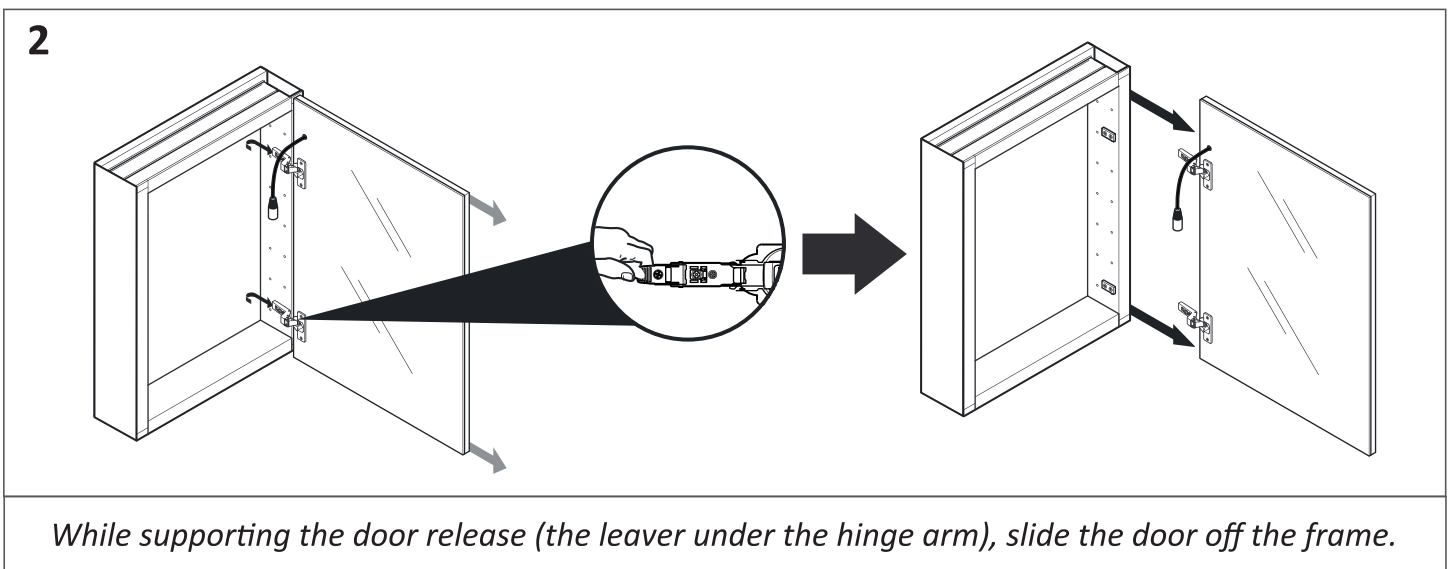
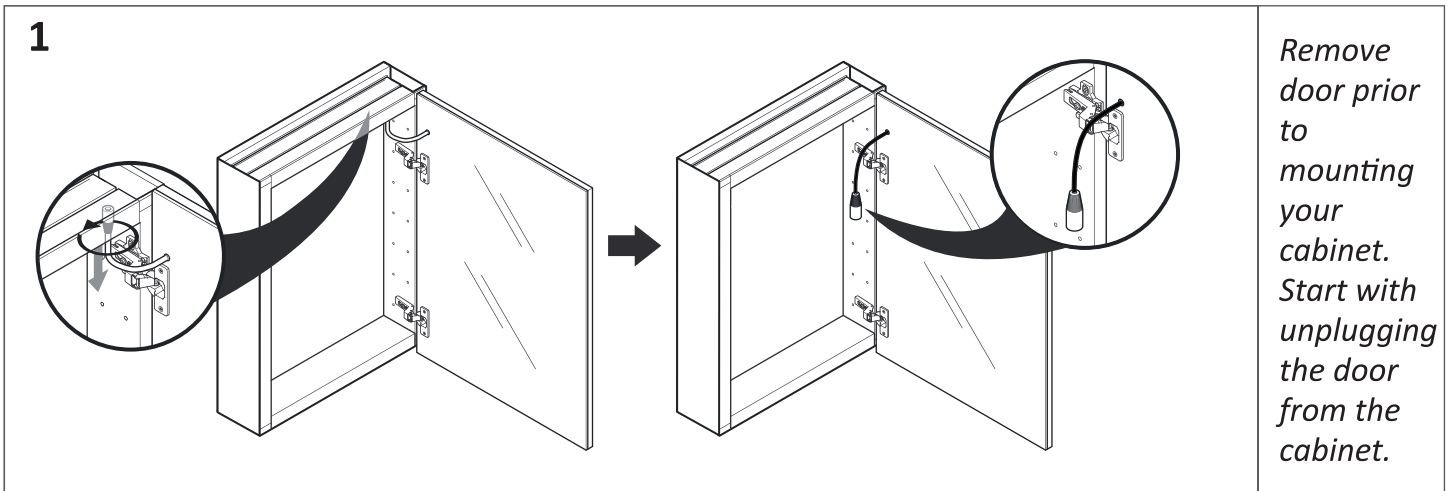


Position cabinet in cutout opening

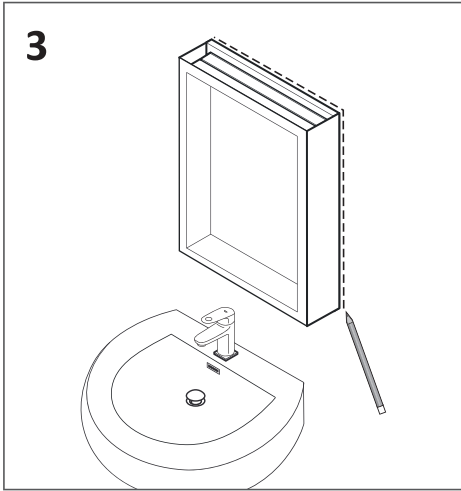


Affix using screws into the studs

SURFACE MOUNT INSTALLATION

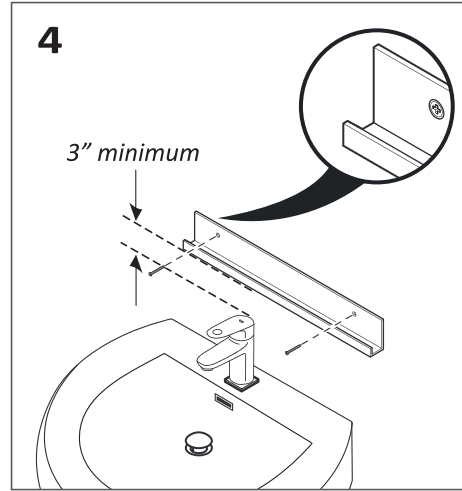


SURFACE MOUNT INSTALLATION CONTINUED



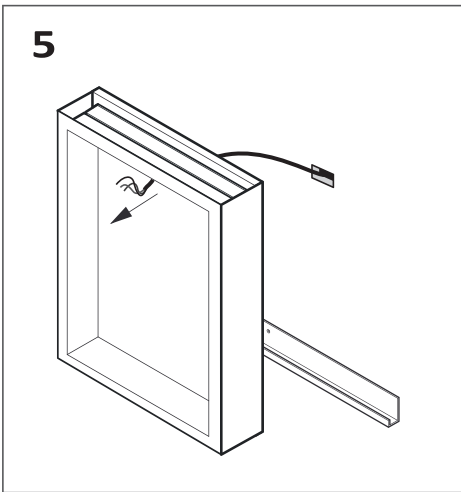
3

Level and mark the cabinet's location on the wall



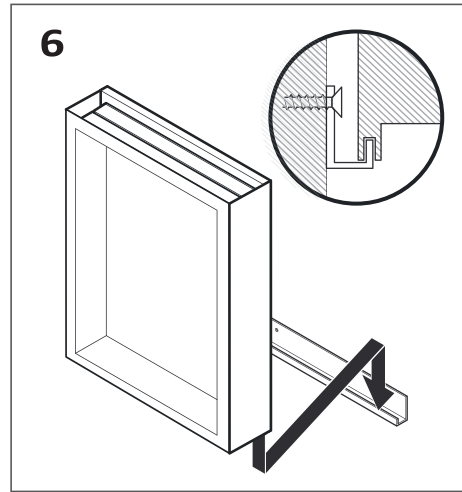
4

Attach bottom bracket to wall



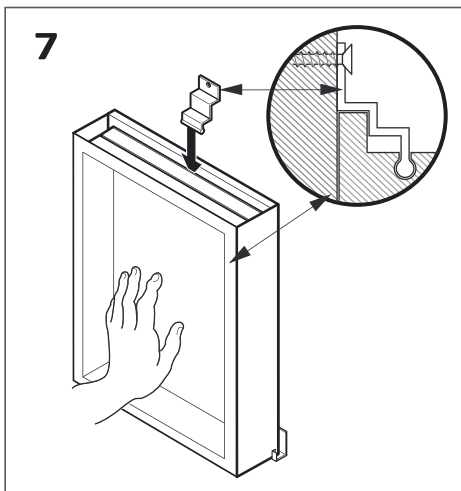
5

Pull through the electrical wires



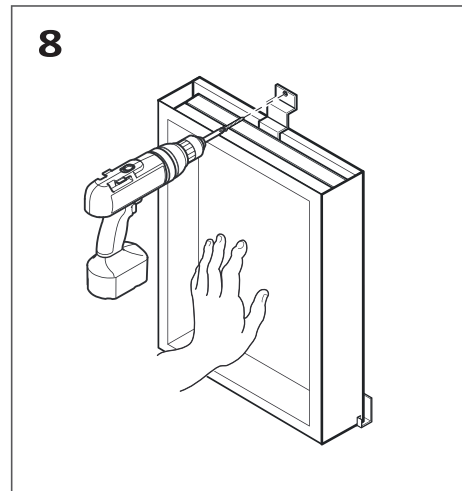
6

With assistance rest the cabinet on the bottom mounting bracket and hold in place



7

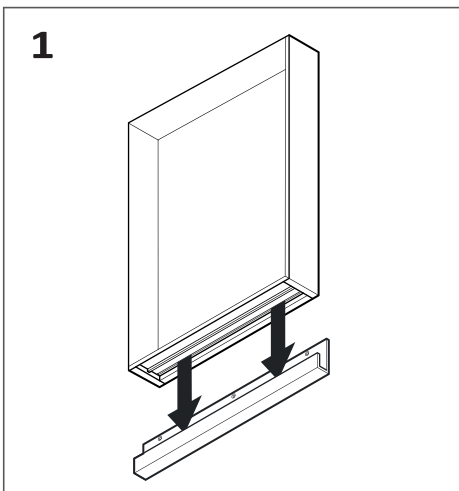
Insert top mounting bracket into the top of the cabinet



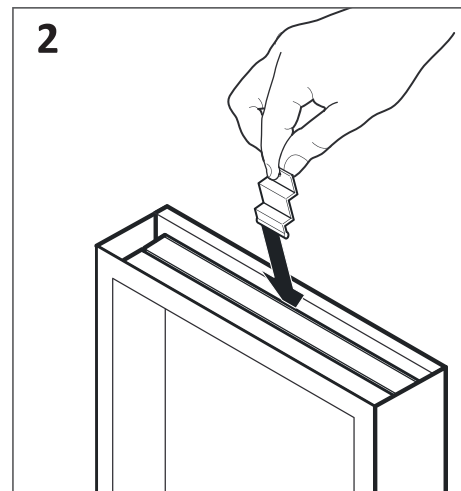
8

Attach the top mounting bracket to the wall using a screw gun

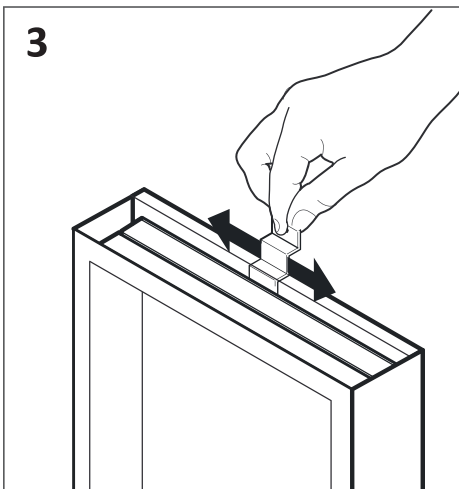
MOUNTING BRACKETS (FOR SURFACE MOUNT INSTALLATION)



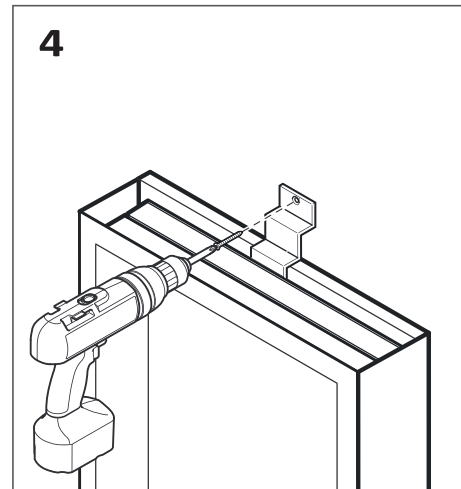
Rest the cabinet on top of the bracket



Slide top bracket into the channel at the top of the cabinet



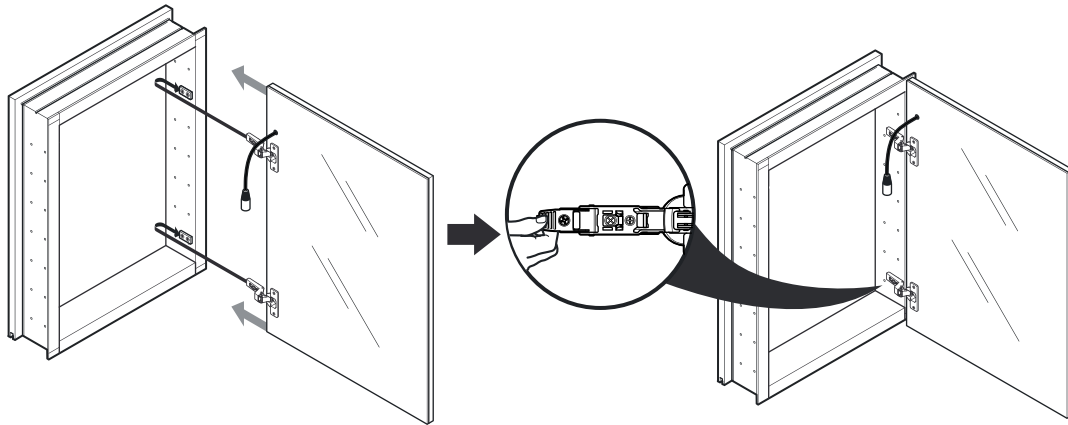
Make sure top bracket is locked in the groove



Secure the top bracket to the wall using screw gun

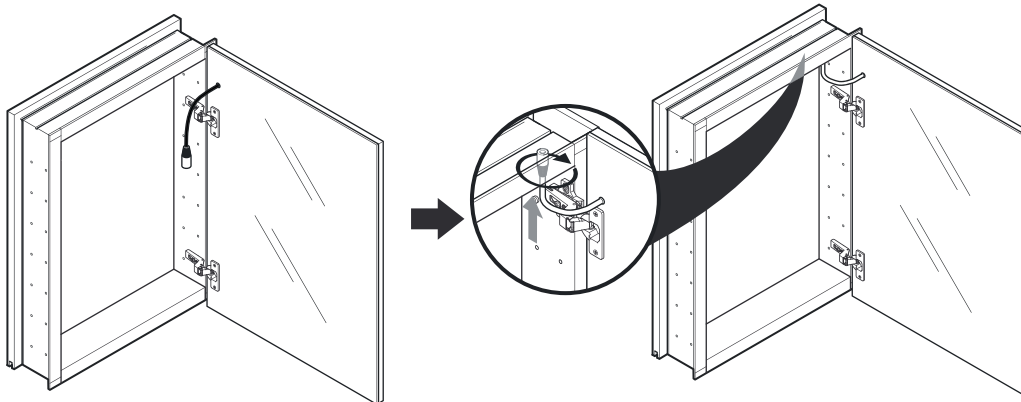
FINAL ASSEMBLY (BOTH)

1



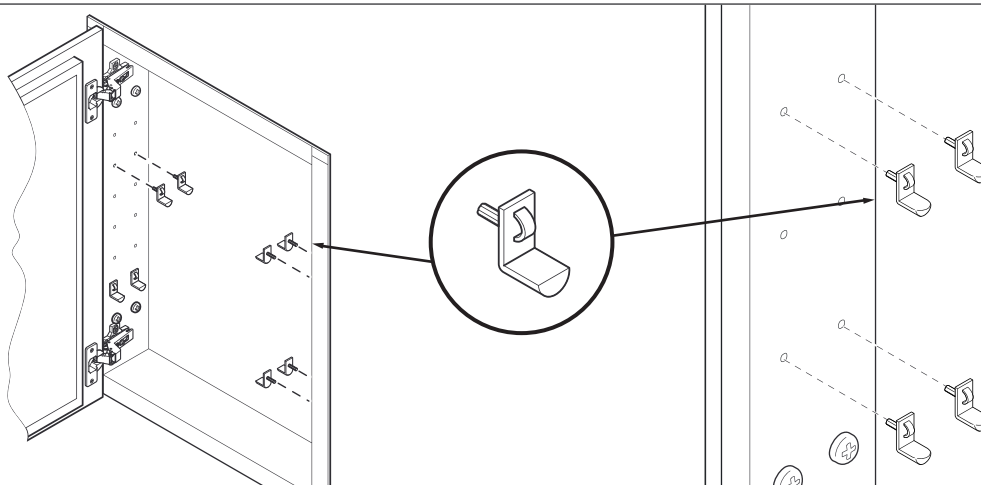
Slide the doors into place by pinching the end of the hinge

2



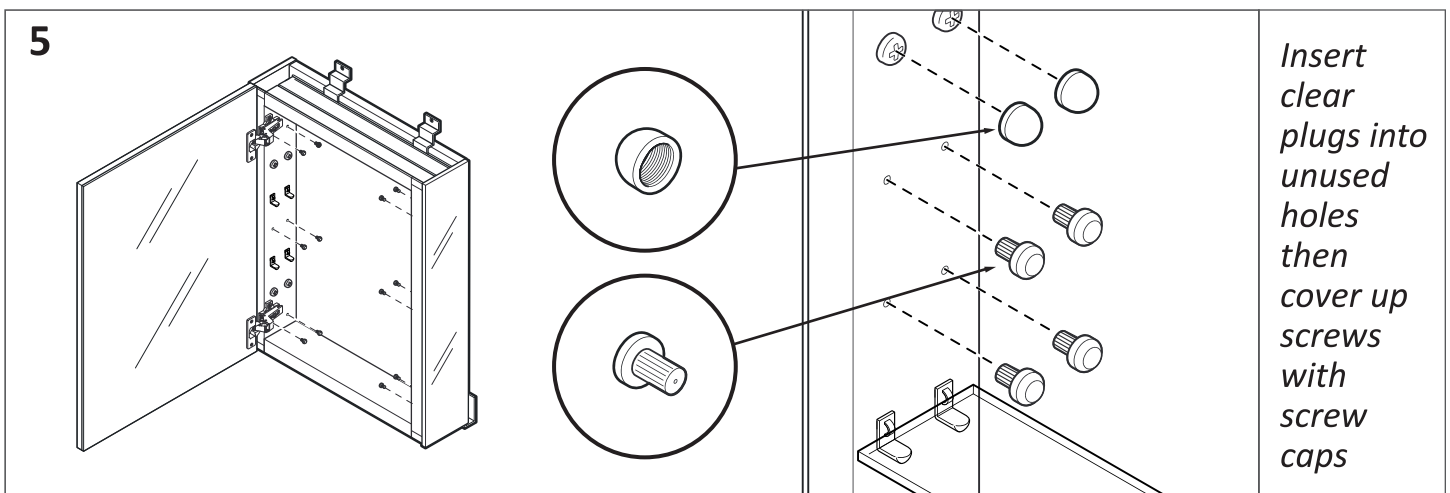
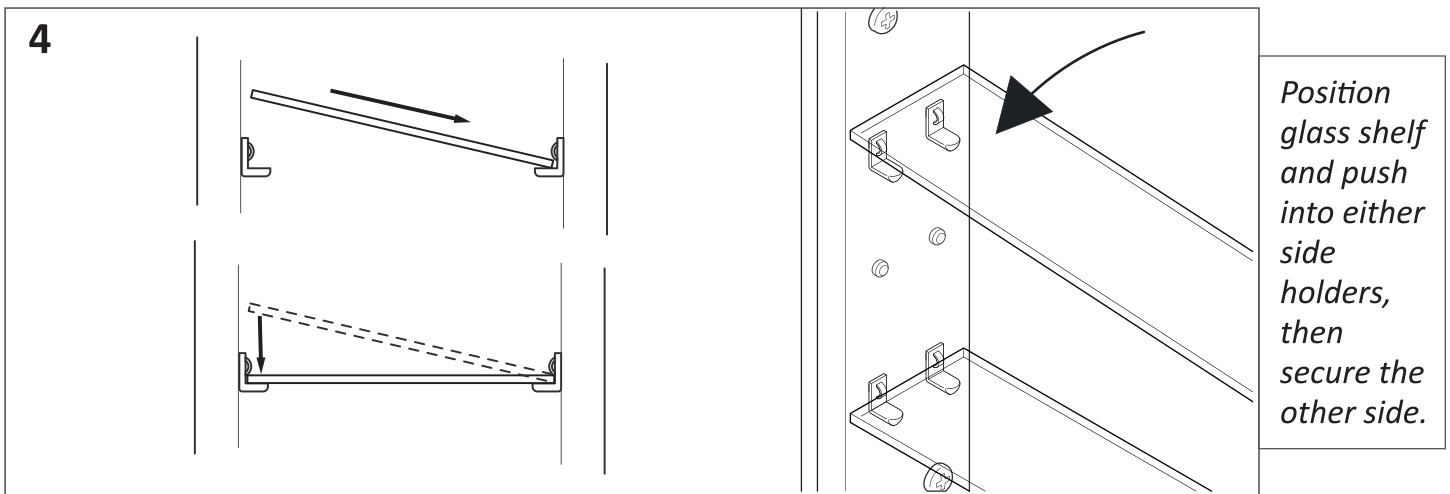
Plug the door into the cabinet

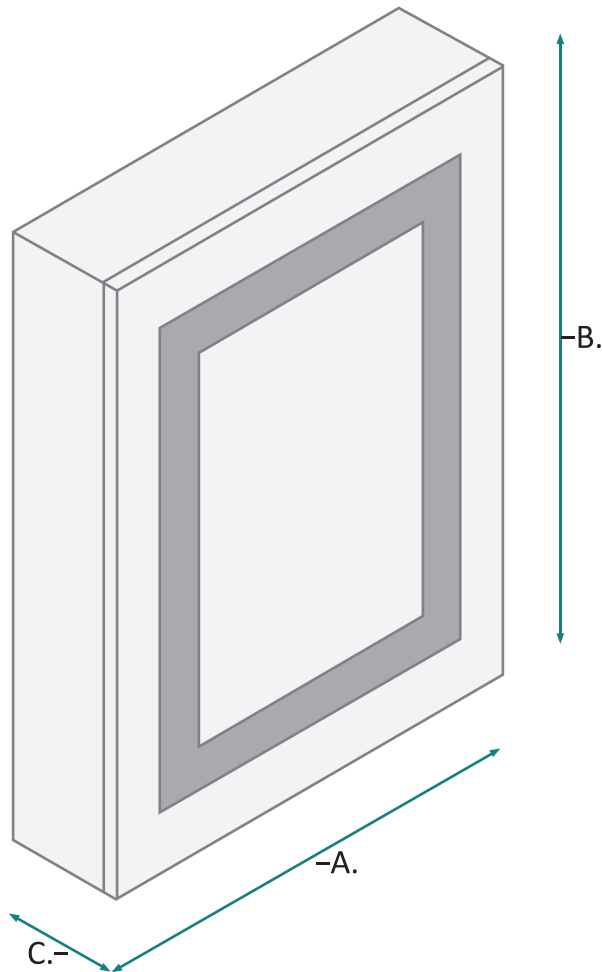
3



Use snap-in holders into predrilled holes on side of the cabinet.

FINAL ASSEMBLY CONTINUED

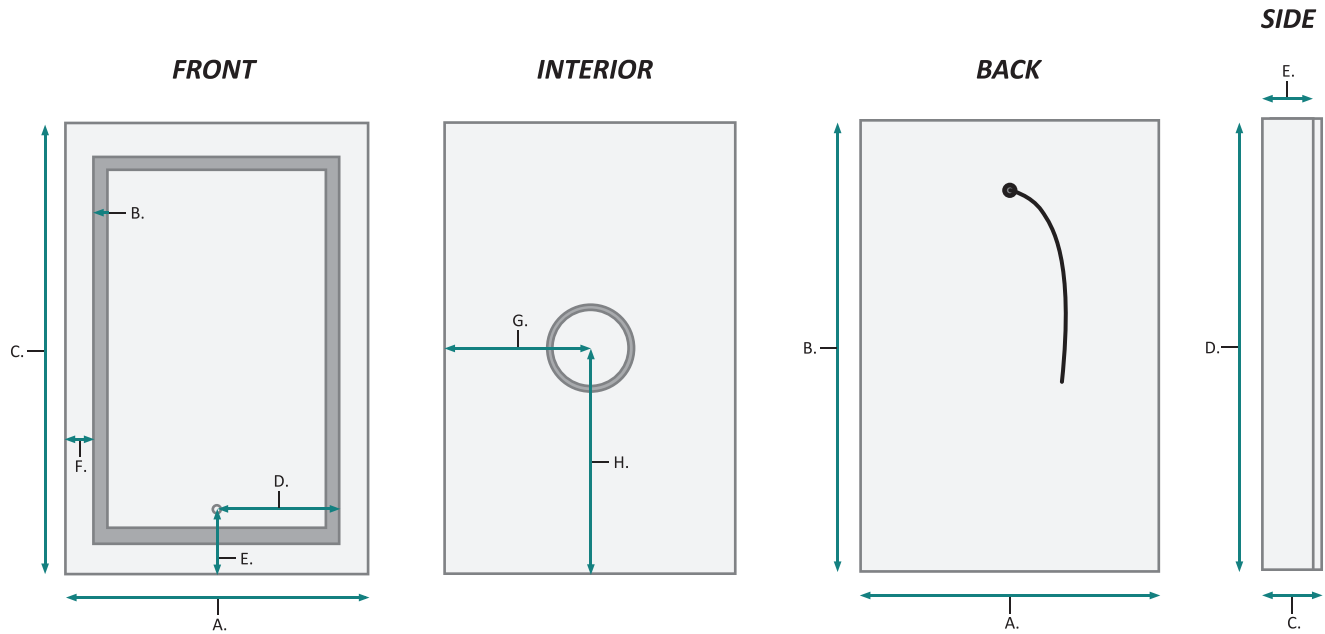




- A** - Cabinet's Width
- B** - Cabinet's Height
- C** - Cabinet's Depth

MODELS	A	B	C
SVANGE 2436L	24	36	4.75
SVANGE 2436R	24	36	4.75
SVANGE 1236L	12	36	4.75
SVANGE 1236R	12	36	4.75
SVANGE 1836L	18	36	4.75
SVANGE 1836R	18	36	4.75

Note: All dimensions & specifications are approximate and subject to change without notice.



FRONT & INSIDE

MODELS	A	B	C	D	E	F	G	H
SVANGE 2436L	24	1-1/4	36	12	6-1/4	2-1/2	11	17-1/2
SVANGE 2436R	24	1-1/4	36	12	6-1/4	2-1/2	11	17-1/2
SVANGE 1236L	24	1-1/4	36	12	6-1/4	2-1/2	N/A	N/A
SVANGE 1236R	24	1-1/4	36	12	6-1/4	2-1/2	N/A	N/A
SVANGE 1836L	24	1-1/4	36	12	6-1/4	2-1/2	N/A	N/A
SVANGE 1836R	24	1-1/4	36	12	6-1/4	2-1/2	N/A	N/A

BACK & SIDE

MODELS	A	B	C	D	E	ELECTRIC CURRENT	WATTAGES
SVANGE 2436L	23	35-1/2	4-3/4	36	3-1/2	0.00A	0W
SVANGE 2436R	23	35-1/2	4-3/4	36	3-1/2	0.00A	0W
SVANGE 1236L	23	35-1/2	4-3/4	36	3-1/2	0.00A	0W
SVANGE 1236R	23	35-1/2	4-3/4	36	3-1/2	0.00A	0W
SVANGE 1836L	23	35-1/2	4-3/4	36	3-1/2	0.00A	0W
SVANGE 1836R	23	35-1/2	4-3/4	36	3-1/2	0.00A	0W

USE AND MAINTENANCE

- The interior is constructed of mirrored glass and aluminum. Use only a damp cloth to clean. Ammonia or vinegar-based cleaners can damage mirrors.
- When cleaning, spray the cloth, not the mirror, or surrounding surfaces. Do not use abrasive cleansers on any part of the light fixture.

LIMITED LIFETIME WARRANTY

Subject to the terms and conditions specified herein, Krugg Reflections USA LLC, (“KRUGG”) hereby extends a limited lifetime warranty (this “Limited Warranty”) to original Purchasers (as defined below) of the Krugg LED Medicine Cabinet (the “Product”) with respect to certain specified components of the Product. Specifically, KRUGG, by this Limited Warranty, warrants that, for the durations specified herein, Products purchased directly from KRUGG or KRUGG’s authorized retailers will be free of defects in the material and workmanship of the Product’s electrical components, glass, mirrors, and certain mechanical components, which defects would cause the Product to substantially fail to function when subject to normal use.

ONE-YEAR LIMITED COMMERCIAL WARRANTY

Subject to the terms and conditions specified herein, Krugg Reflections USA LLC, (“KRUGG”) hereby extends a limited one-year warranty (this “Limited Warranty”) to Commercial Purchasers (as defined below) of the Krugg LED Medicine Cabinet (the “Product”) with respect to certain specified structural components of the Product. Specifically, KRUGG, by this Limited Warranty, warrants that, for a one-year period, Products purchased directly from KRUGG or KRUGG’s authorized retailers will be free of defects in the material and workmanship of the Product’s electrical components, glass, mirrors, and certain mechanical components, which defects would cause the Product to substantially fail to function when subject to normal use.