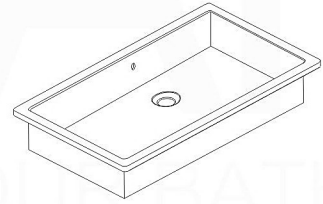
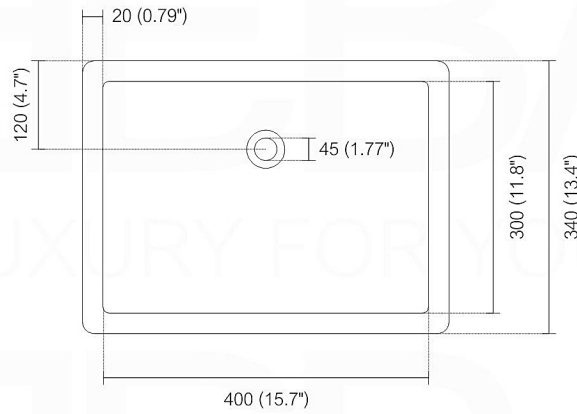


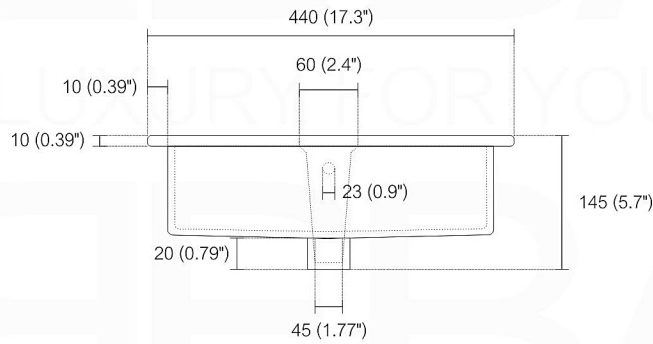
SQUARE UNDERMOUNT SINK KB16



TOP ELEVATION



FRONT ELEVATION



SIDE ELEVATION

