

ZLINE



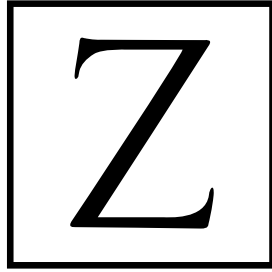
**PRESSURE BALANCE
SHOWER SYSTEMS**

Installation Guide
and Users Manual



This product can expose you to chemicals including nickel, which is known to the State of California to cause cancer, and birth defects or other reproductive harm. For more information go to www.P65Warnings.ca.gov.

Even though the materials used in all ZLINE Kitchen and Bath products conform to all federal government regulations and all national product standards, California's Prop 65 requires all businesses to provide a "clear and reasonable warning" if one or more listed chemicals may be present in the product, even if that chemical is present in trace quantities

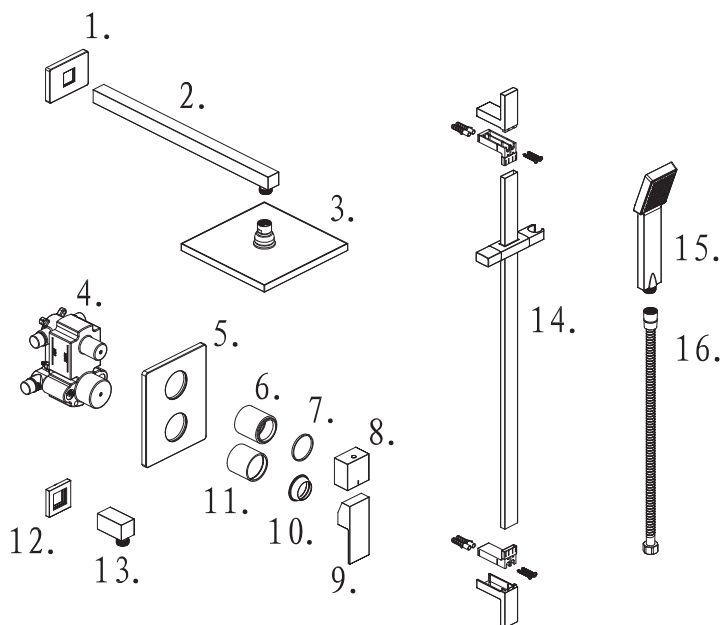


ZLINE

Sourced with materials from across the world, ZLINE's shower systems are easy to operate, reduce water waste, and complement bathroom décor. This exclusive collection blends modern technology with traditional appeal — offering a wide array of finishes.

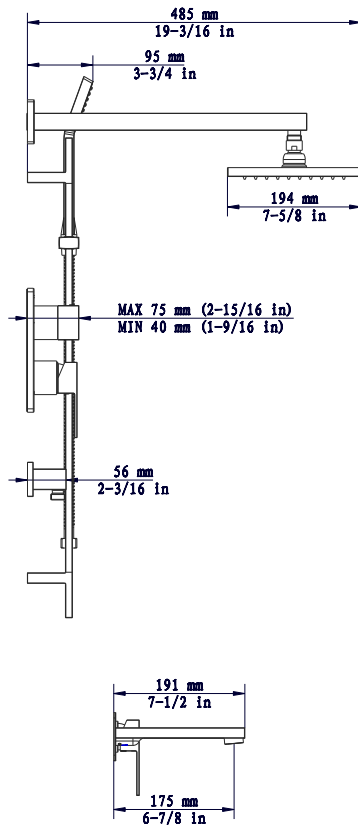
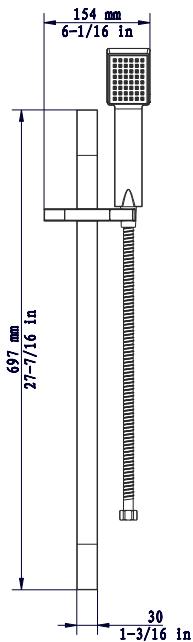
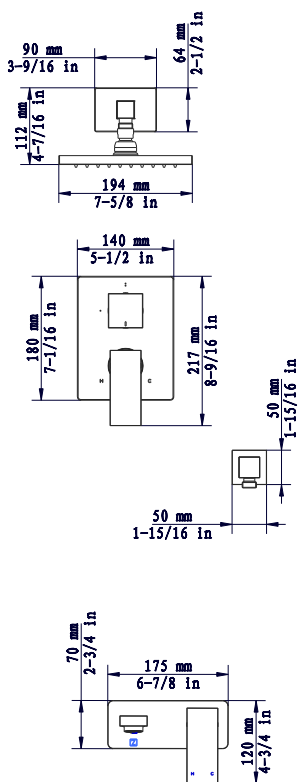
ZLINE showers offer an aerated water flow for resource conservation, helping both the environment and your wallet. The housing material composition consists largely of brass, which is extremely durable and leak proof. Each shower system produced is examined thoroughly by hand to ensure quality and consistency.

BLISS SHOWER SYSTEM (BLS-SHS)



- | | |
|---------------------|-------------------|
| 1. Flange cover | 9. Switch handle |
| 2. Shower arm | 10. Cap |
| 3. Top spray shower | 11. Sleeve |
| 4. Wall valve body | 12. Flange cover |
| 5. Faceplate | 13. Angle valve |
| 6. Sleeve | 14. Shower rail |
| 7. Washer | 15. Shower handle |
| 8. Steering handle | 16. Hose |

BLISS SHOWER SYSTEM (BLS-SHS)

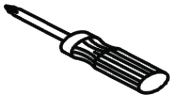


BLISS SHOWER SYSTEM (BLS-SHS)

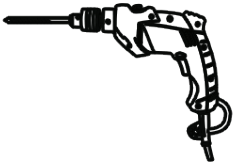
Tools:



Wrench



Screwdriver



Drill

Time required:



+/- 120 minutes

Legend:



Hot Water



Cold Water



Torch



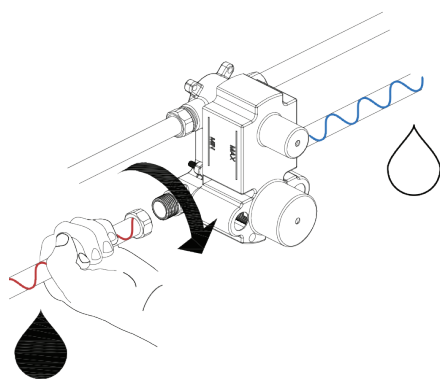
Warning



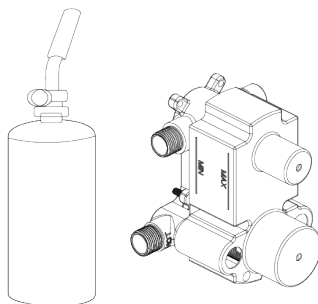
Plumber's Tape

BLISS SHOWER SYSTEM (BLS-SHS)

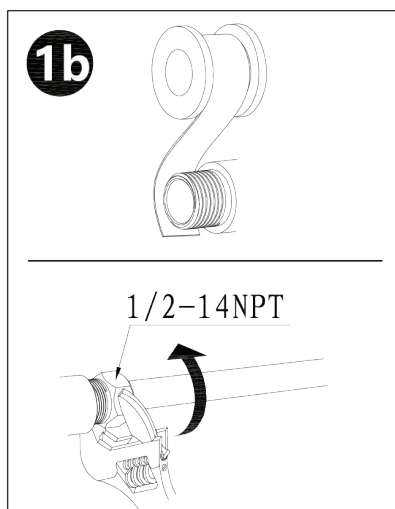
1a



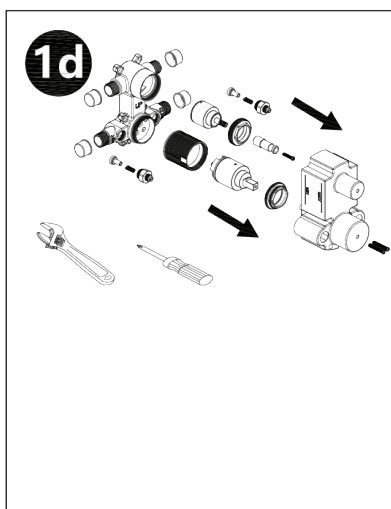
1c



1b



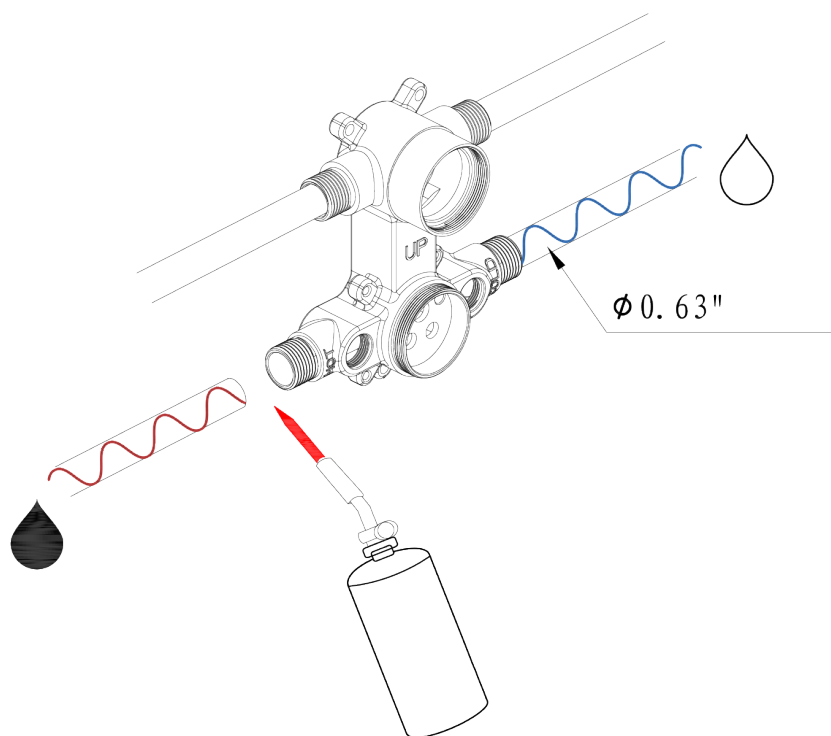
1d



Slide the sleeves onto the pipes and then insert pipes into the wall valve. Tighten the ring around the pipes with the wrench. **NOTE:** If welding is involved, you must remove the internal valve components prior to the welding. Please note the original position of the cartridge.

BLISS SHOWER SYSTEM (BLS-SHS)

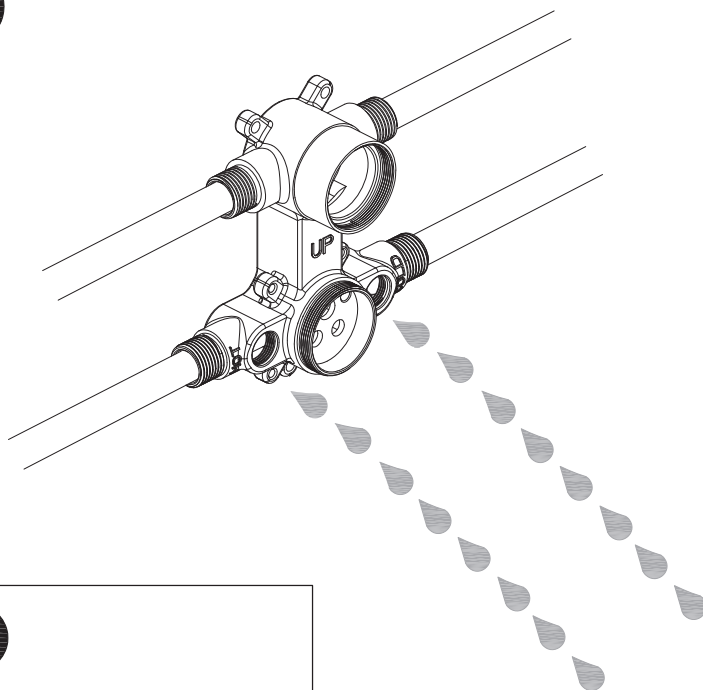
2



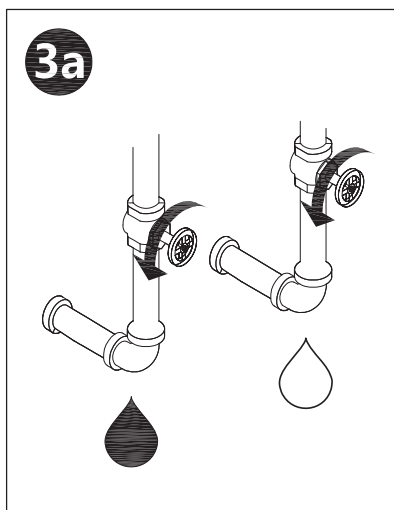
Weld the copper together or use plumber's tape to prevent leaks.

BLISS SHOWER SYSTEM (BLS-SHS)

3



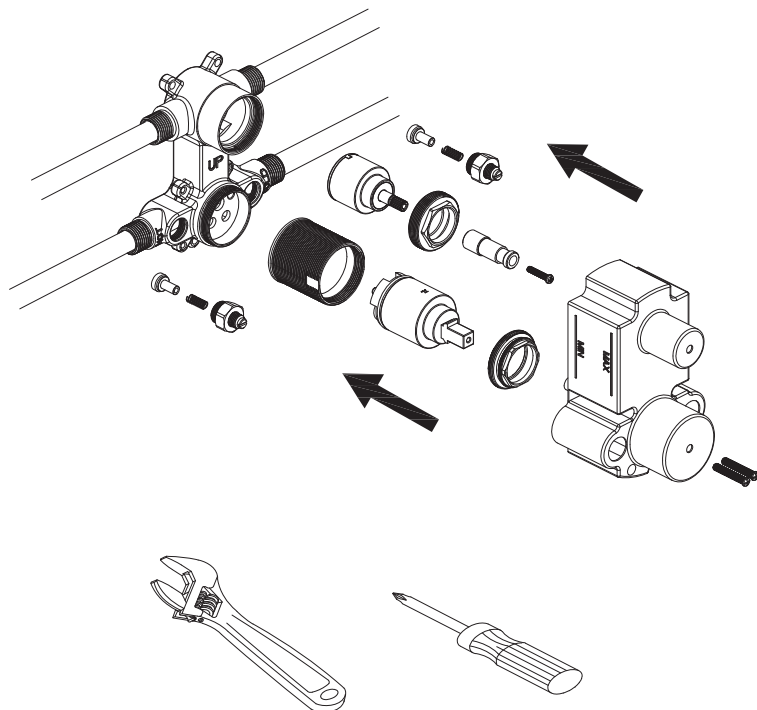
3a



After welding, purge the water supply system for 30 seconds.

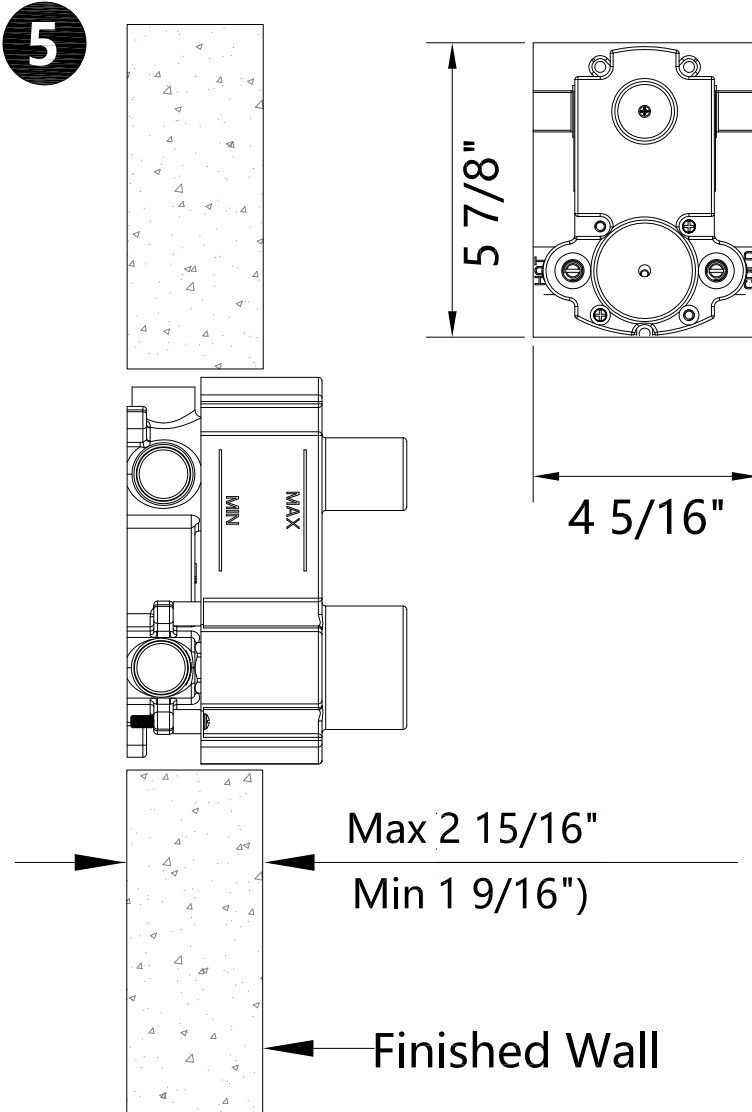
BLISS SHOWER SYSTEM (BLS-SHS)

4



Reinstall the valve components into their original positions.

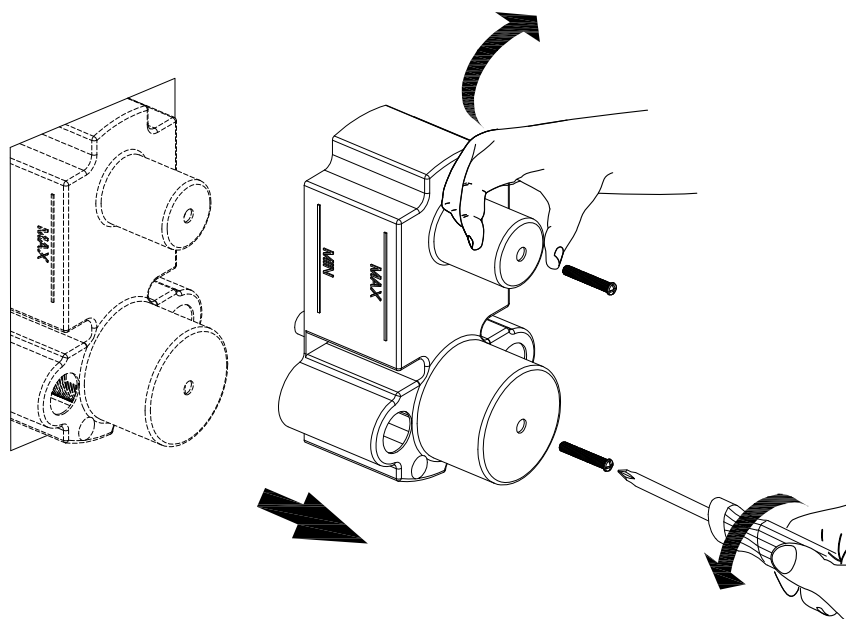
BLISS SHOWER SYSTEM (BLS-SHS)



Use this diagram to understand the placement of the wall valve.

BLISS SHOWER SYSTEM (BLS-SHS)

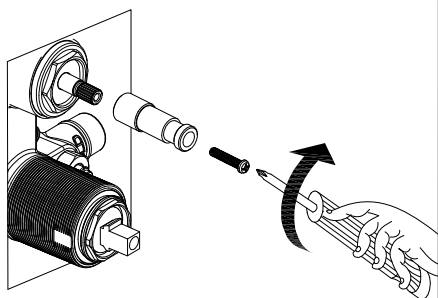
6



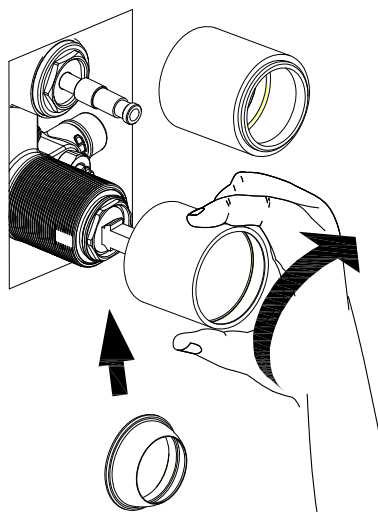
Screw the wall valve body into the system with a screwdriver. Do not overtighten.

BLISS SHOWER SYSTEM (BLS-SHS)

7a



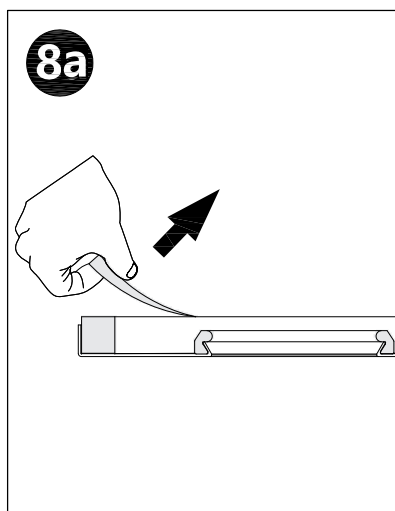
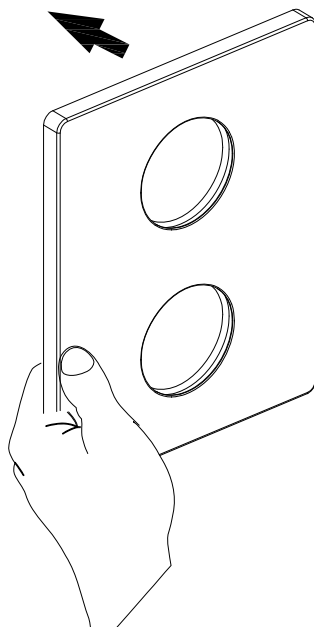
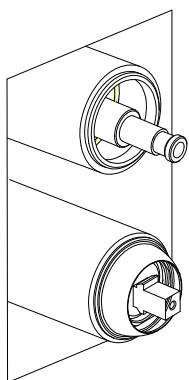
7b



Screw the sleeve and washer into the wall valve body.

BLISS SHOWER SYSTEM (BLS-SHS)

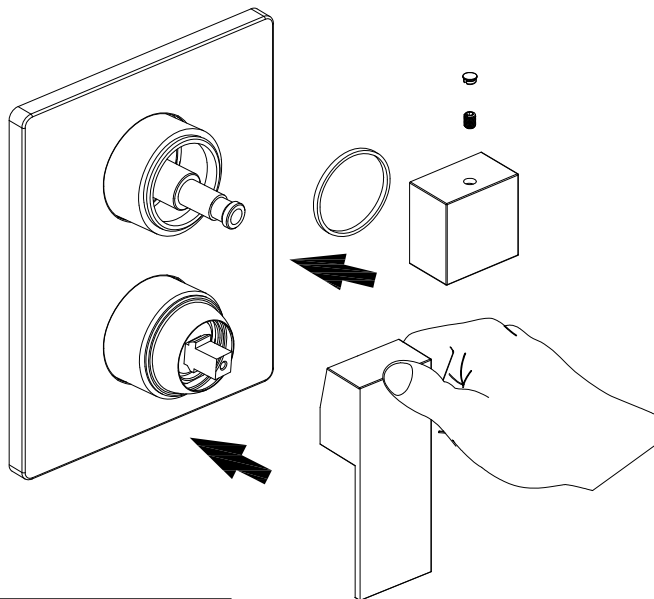
8



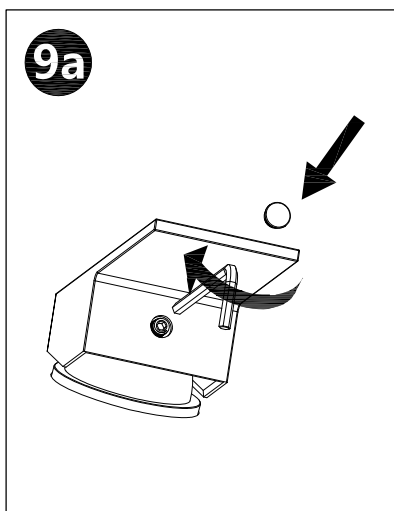
Attach the face plate and remove the plastic.

BLISS SHOWER SYSTEM (BLS-SHS)

9



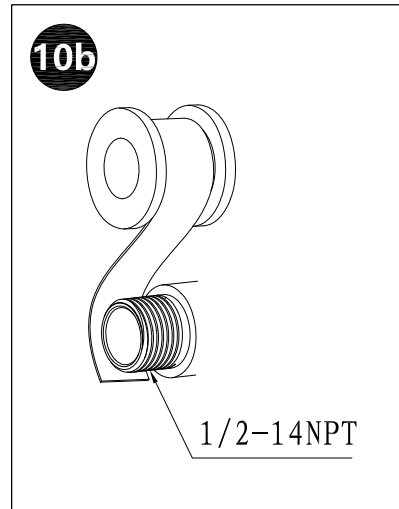
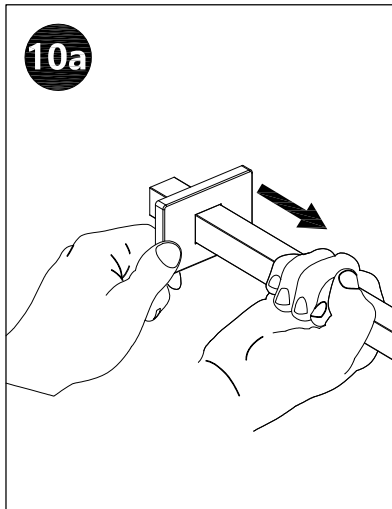
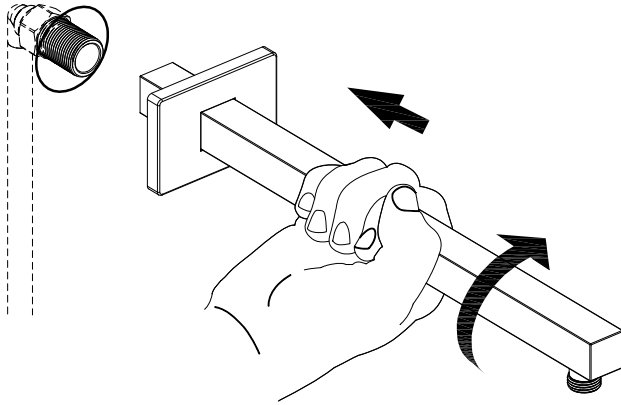
9a



Attach the steering handle.

BLISS SHOWER SYSTEM (BLS-SHS)

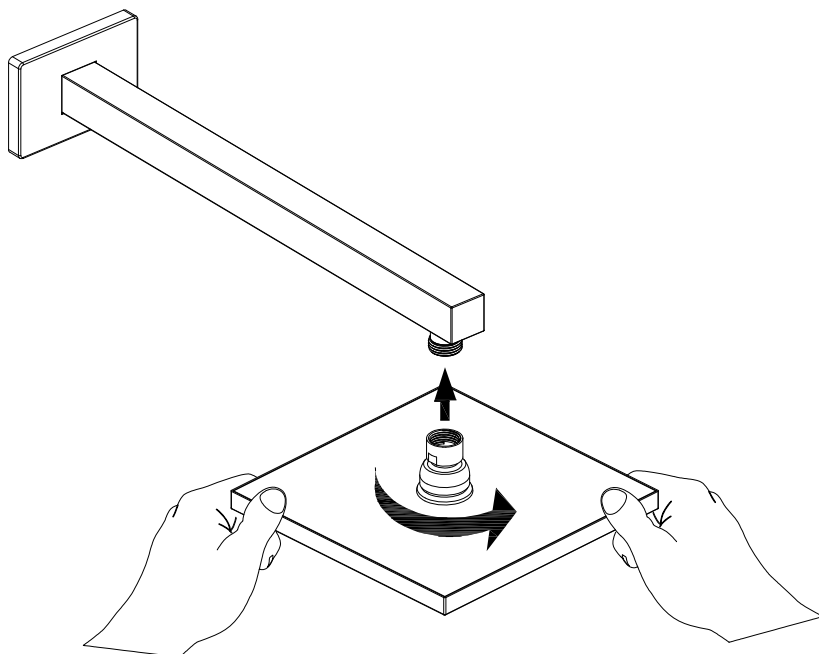
10



Connect the flange cover to the spout in the wall. Secure with plumber's tape to prevent leaks.

BLISS SHOWER SYSTEM (BLS-SHS)

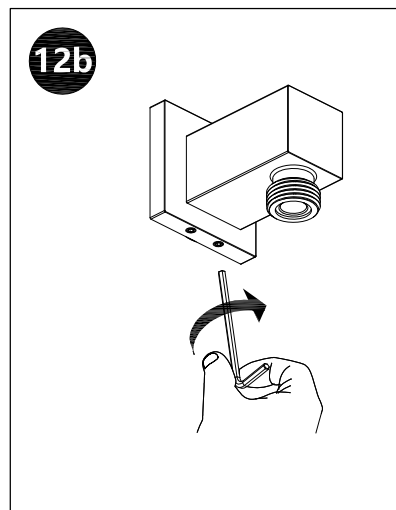
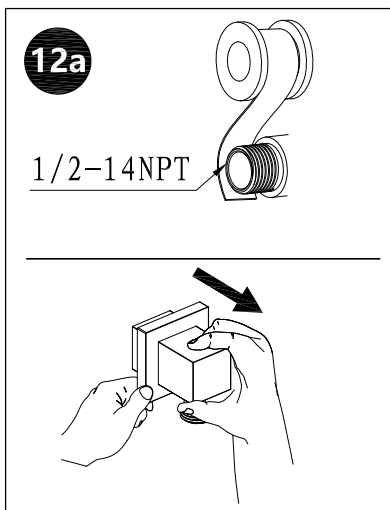
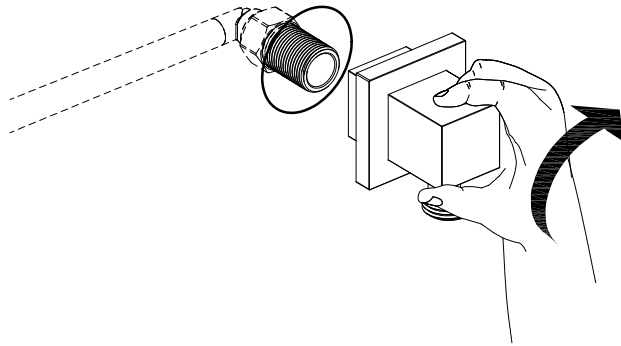
11



Twist the top spray shower into the shower arm.

BLISS SHOWER SYSTEM (BLS-SHS)

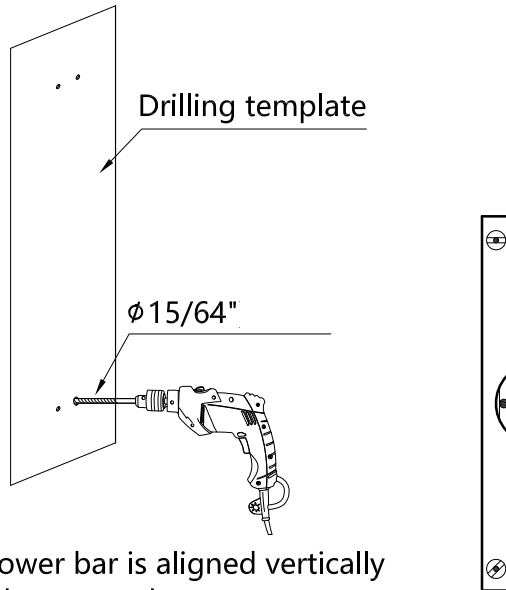
12



Connect the angle valve to the flange cover and screw together. Secure with plumber's tape to prevent leaks.

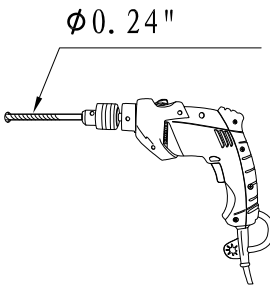
BLISS SHOWER SYSTEM (BLS-SHS)

13

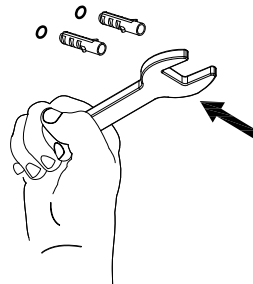


Make sure the shower bar is aligned vertically before installing the top anchor.

13a

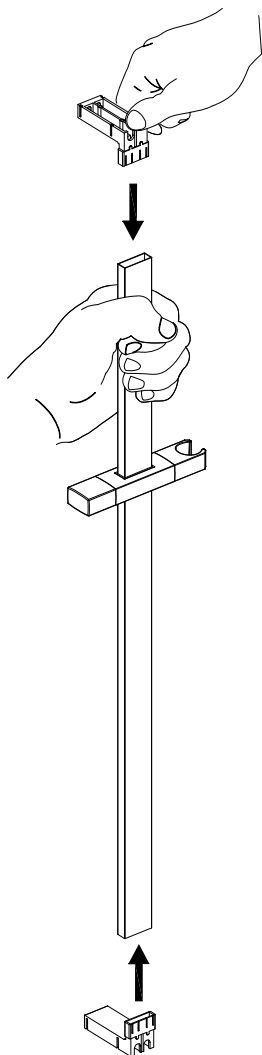


13b



Use a pencil to mark the mounting holes on the wall. Use a wrench to put the screws in.

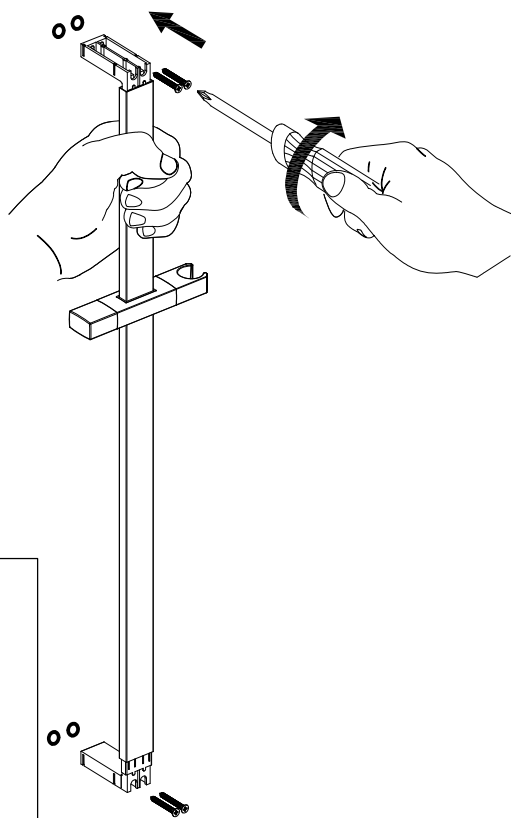
14



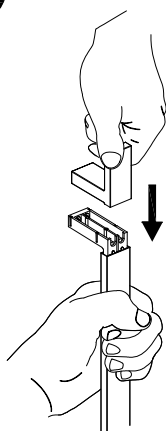
Connect the components of the shower rail.

BLISS SHOWER SYSTEM (BLS-SHS)

15



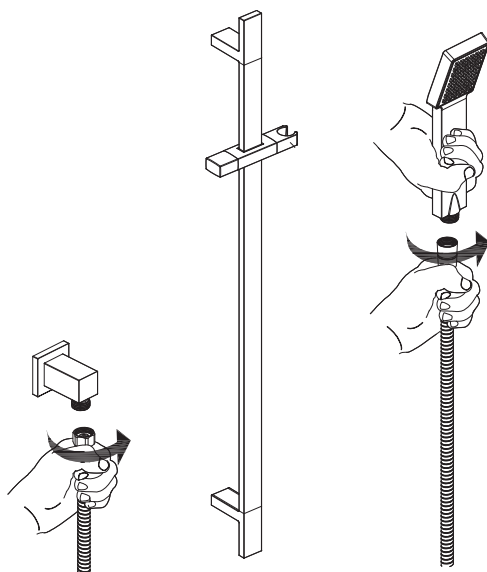
15a



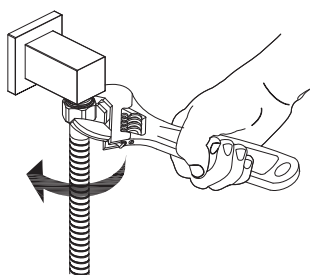
Screw the shower rail into the wall.

BLISS SHOWER SYSTEM (BLS-SHS)

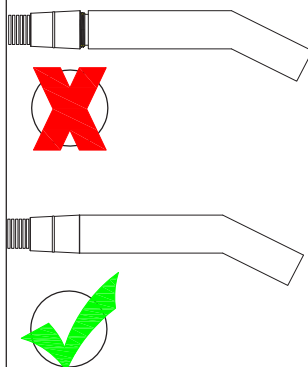
16



16a



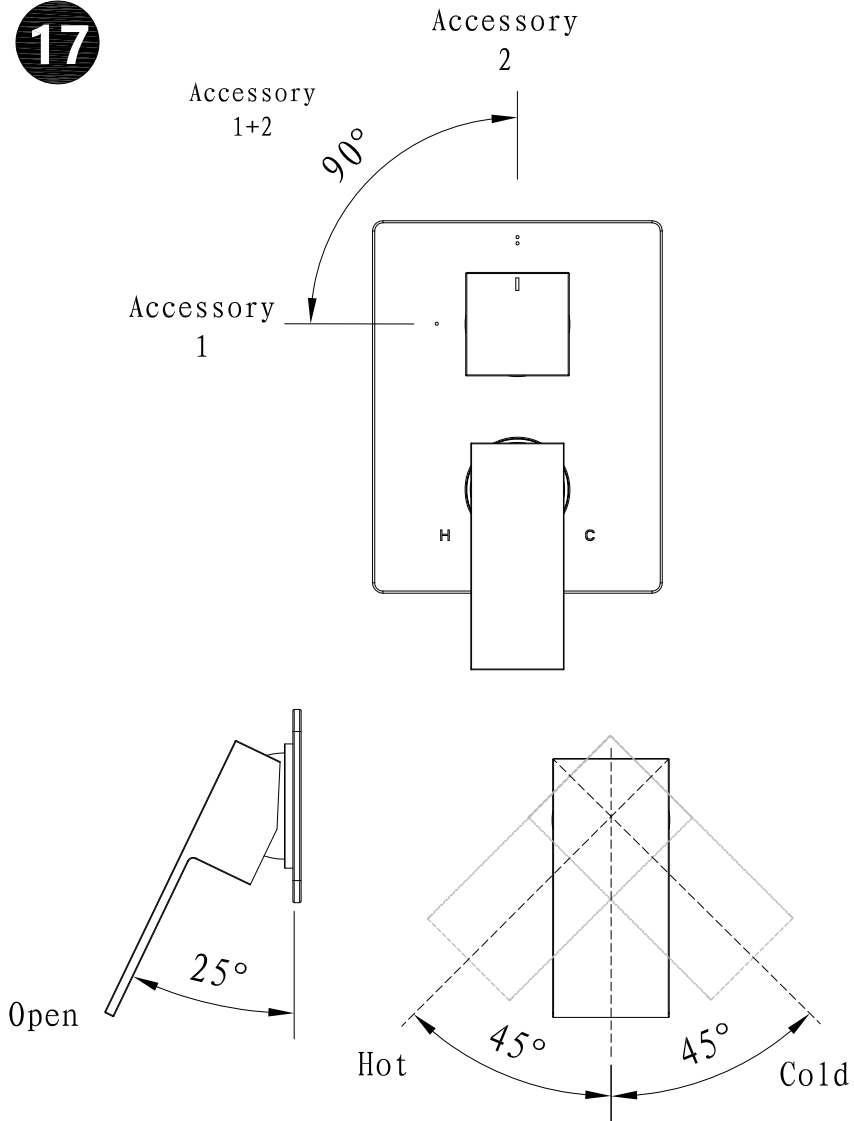
16b



Connect the shower handle to the shower rail. Tighten with a wrench.

BLISS SHOWER SYSTEM (BLS-SHS)

17



Review the diagram to understand the hot, cold, and open settings.



ZLINE
KITCHEN AND BATH