

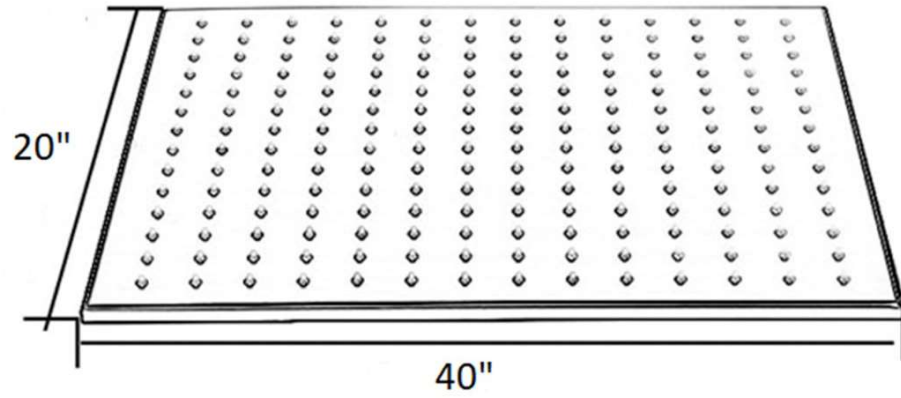
Installation Instructions For Fontana Genoa Sandino Thermostatic Ceiling Mount Rain Fall LED Shower Set



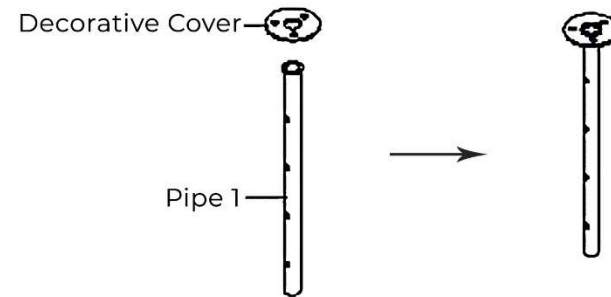
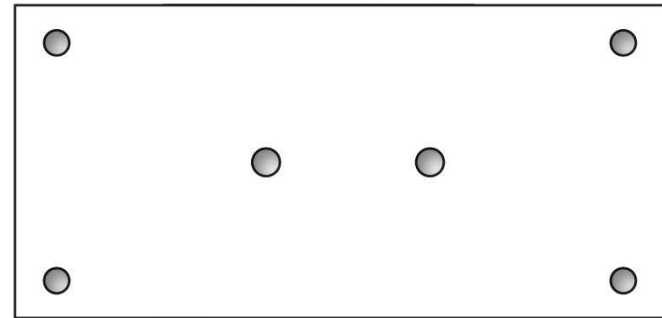
- Unpack and inspect the product for any shipping damages. If you find damages, do not install.
- Please note all showers must be installed by a professional and certified plumber otherwise warranty might **be voided**.

Shower Head Installation Instructions

Shower Head Installation Instructions

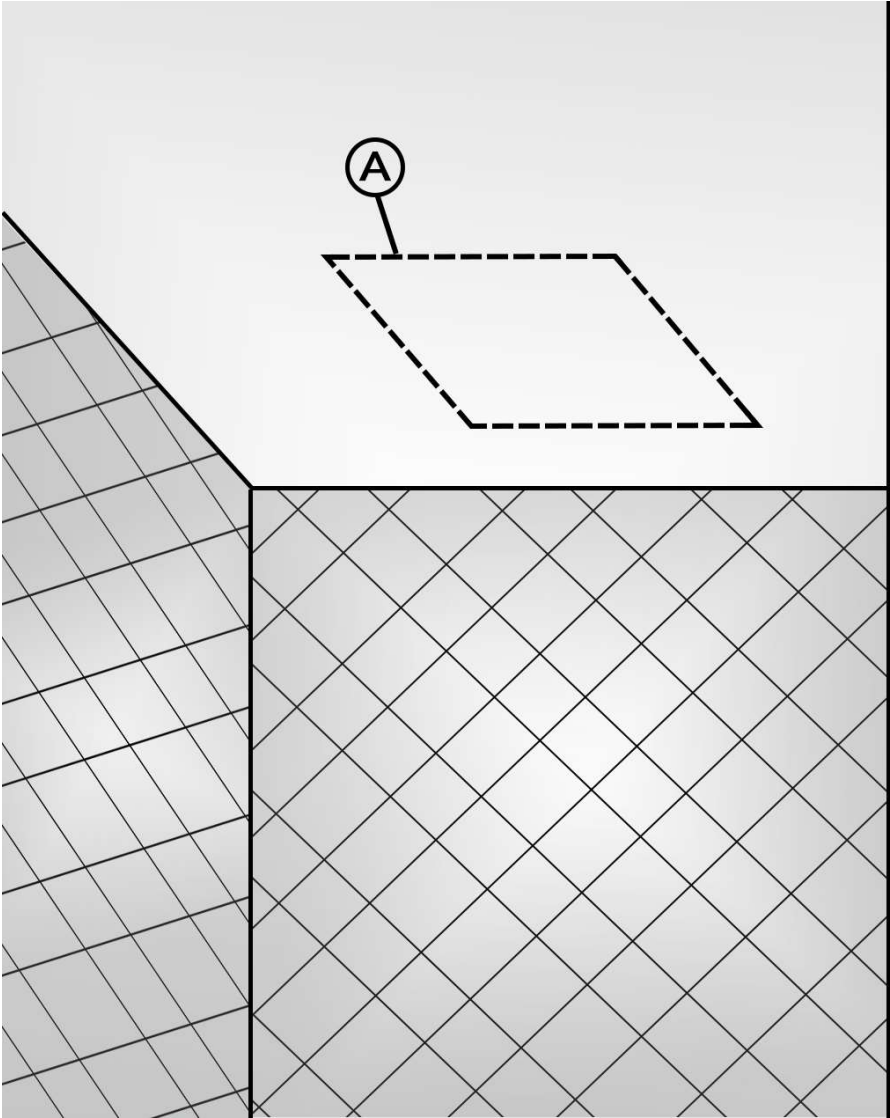


Shower Parts

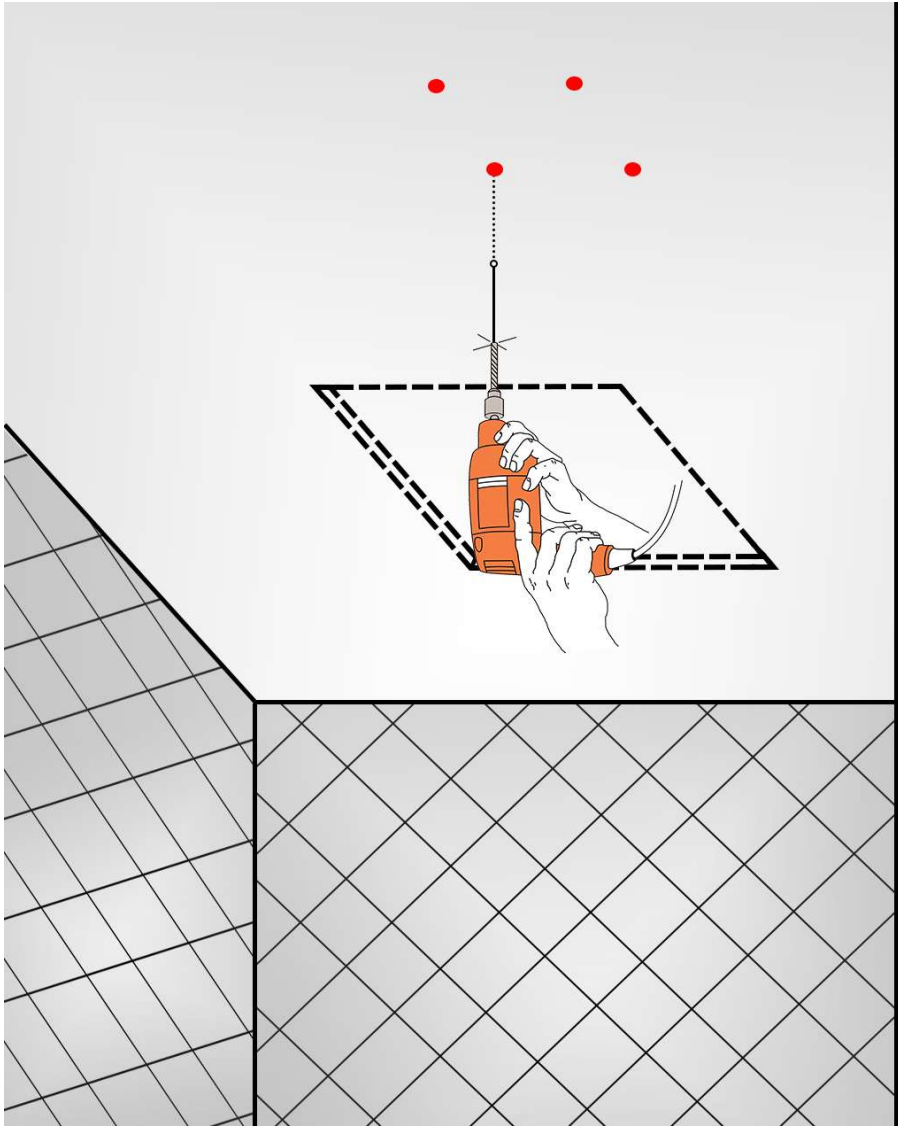


Connect pipe 1 with decorative cover

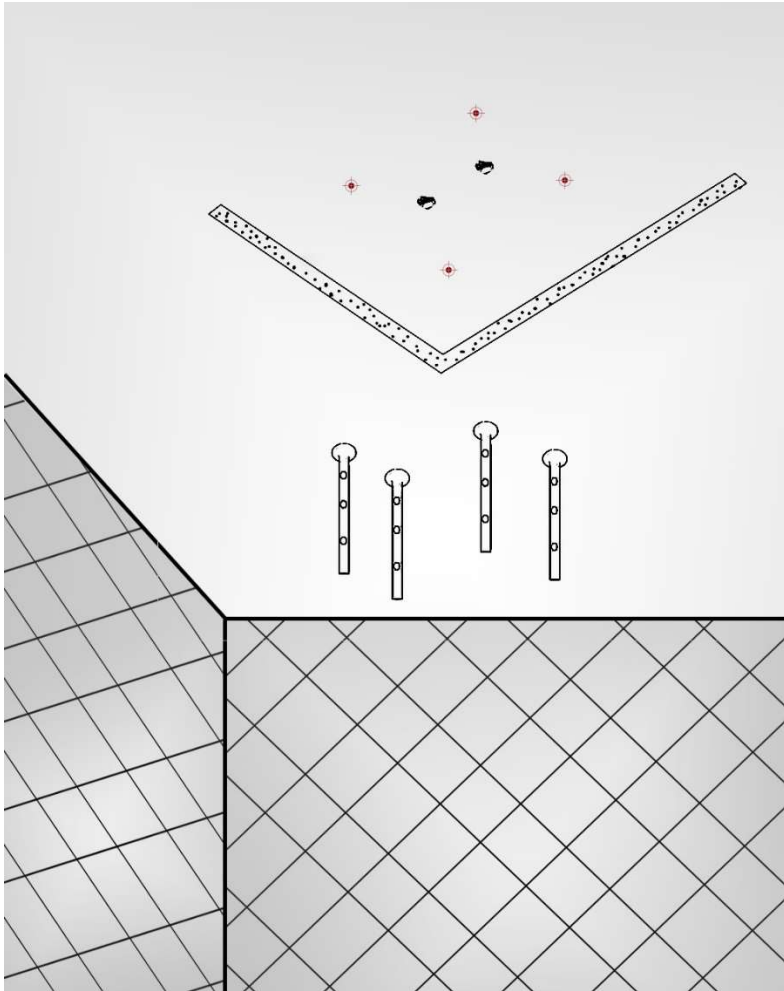
Step 1



Step 2

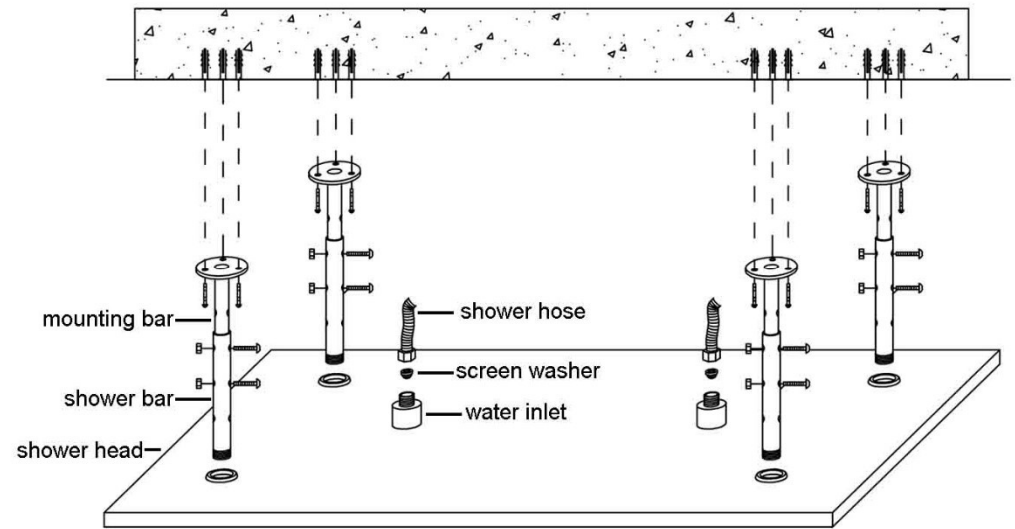


Step 3



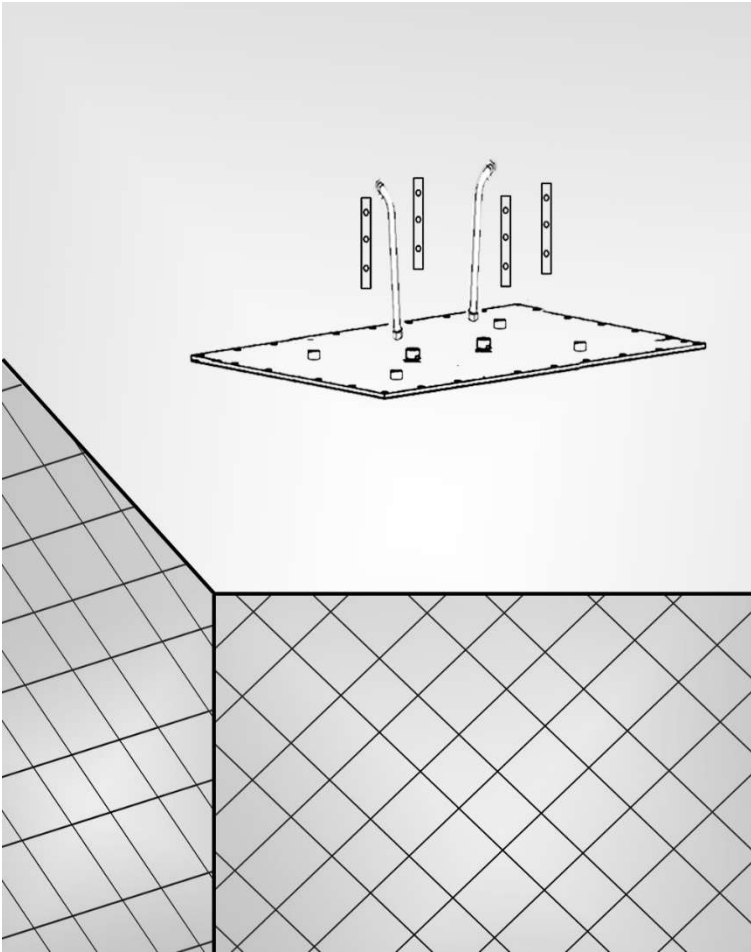
Put the screw bolts through the hole on the side to lock pipes.

Step 4

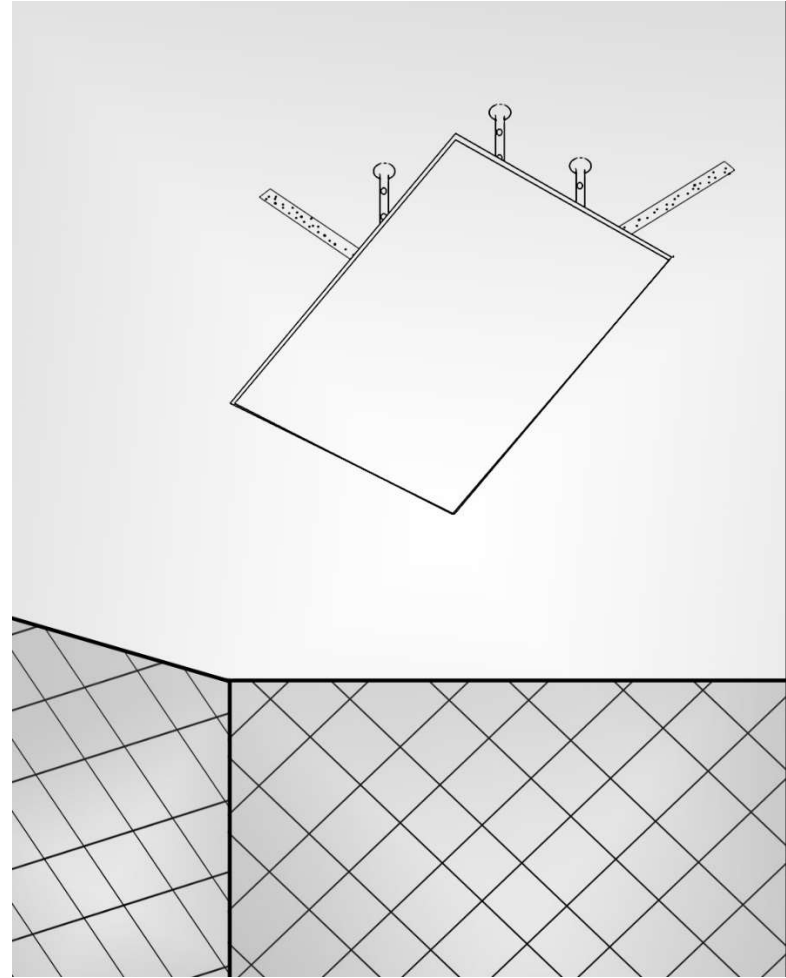


Install the four-pipes on the showerhead.

Step 5



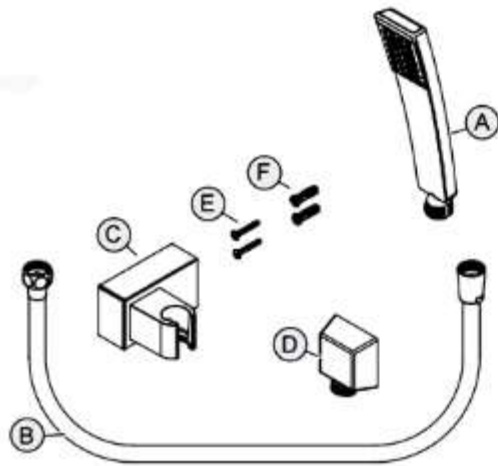
Step 6



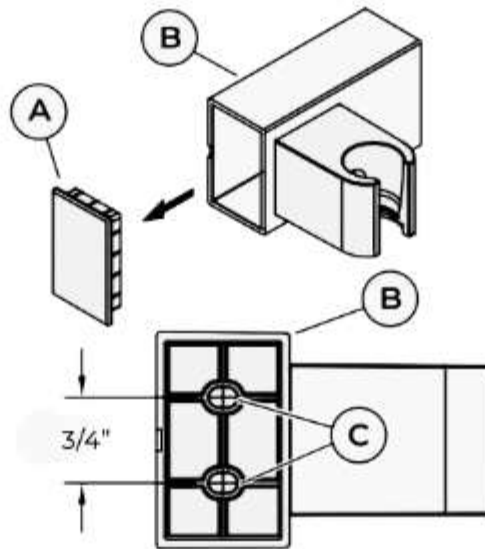
1. Mark the fixing positions and drill holes to suit the anchors.
2. Install the anchors and fix the mounting bar to the ceiling with screws.
3. Screw the shower bars into the shower head tightly.
4. Attach the shower bar to the mounting bar and fix screws and nuts to lock shower bar with mounting bar at the desired height.
5. Add screen washers. Screw shower hose (not included) to the water inlet on the showerhead and then to the water outlet in the ceiling.

Hand-Held Shower Installation Instructions

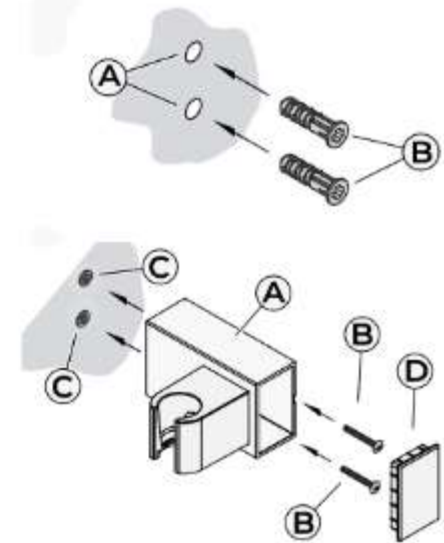
Step 1:



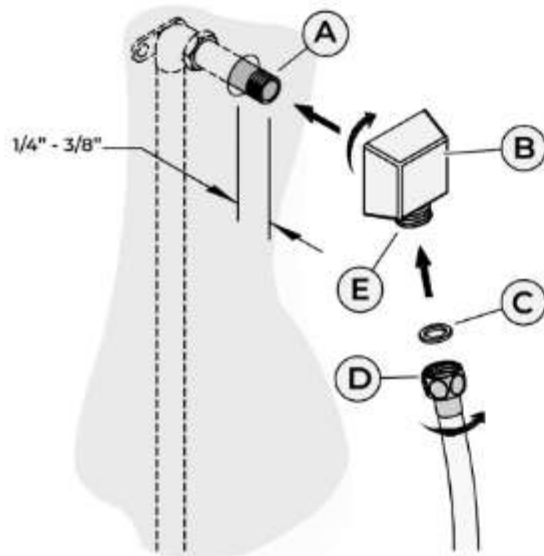
Step 2:



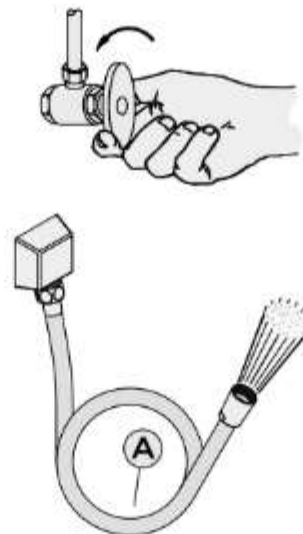
Step 3 & 4:



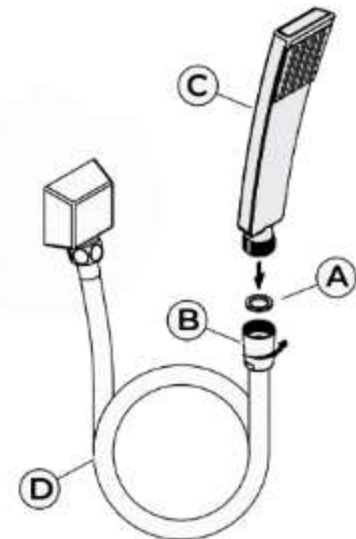
Step 5:



Step 6 & 7:



Step 8:



1. Gather All Parts

2. Hole Locations For Wall Mount

Remove Front Cover (A) from Wall Mount (B). Use Wall Mount Screw Holes (C) to place the desired location. Using a punch or awl, tap the screw hole locations. Holes must be vertically aligned.

3. Anchor Installation

Drill two 1/4" dia. Holes (A). If installing into a studs drill two 1/8" dia. holes and do not use Anchors (B). Insert Anchors (B) into Holes (A) and tap flush with the wall.

4. Wall Mount Installation

Place Wall Mount (A) into wall and inset Mounting Screws (B) through Wall Mount Holes (C) and tighten until Wall Mount (A) is flush with the wall. Do Not Over Tighten! Insert Front Cover (D) into Wall Mount (A)

5. Drop Elbow & Hose Installation

Apply PTFE plumbers tape on both ends of Pipe Nipple (A) (not included). Screw Pipe Nipple (A) into the elbow inside the wall. The Pipe Nipple (A) is to project 1/4" – 3/4" from the finished wall. Screw Drop Elbow (B) onto Pipe Nipple (A) and tighten until Drop Elbow (B) is property positioned and flush to the finished wall. Place Rubber Seal (C) inside Hex Hose Fitting (D). Connect Hex Hose Fitting (D) into Drop Elbow Outlet (E) by turning Hex Hose Fitting (D).

6. Unit Startup

Turn on hot and cold water supplies, and check all connections for leaks.

7. Final Flushing

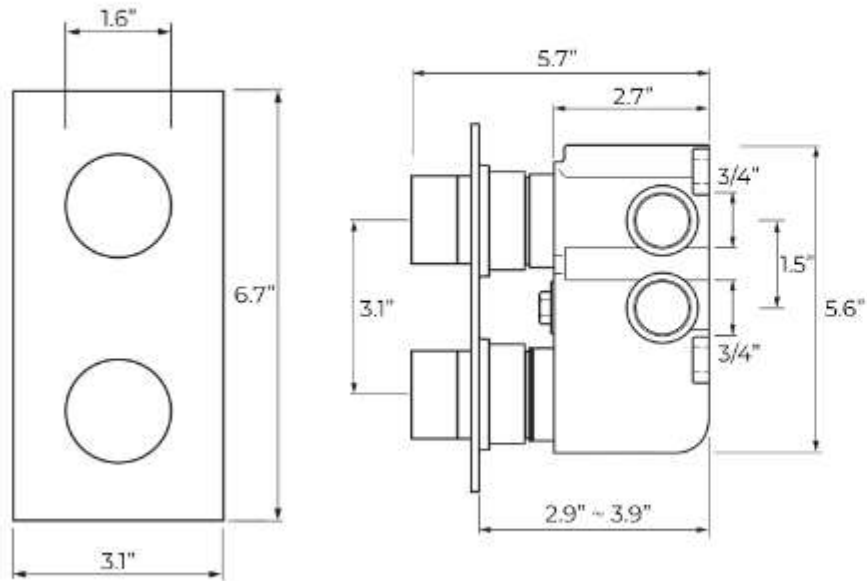
For final flushing, turn the valve on and allow water to run through the Hose (A) for several minutes. Allow water to run for several minutes until all foreign matter clears the line.

8. Shower Arm Installation

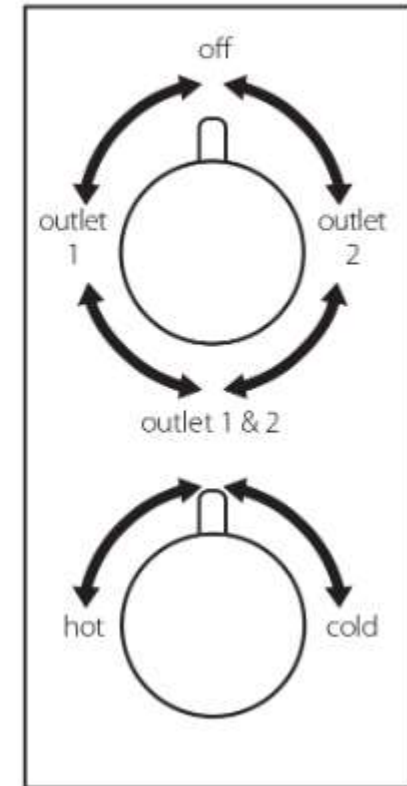
Place Rubber Seal (A) inside Tapered Hose Fitting (B). Conned Hand Shower (C) to Hose (D) by turning Tapered Hose Fitting (B) clockwise. Warning: Make sure Hand Shower (C) is securely tightened to Hose (D).

Thermostatic Mixer Installation Instructions

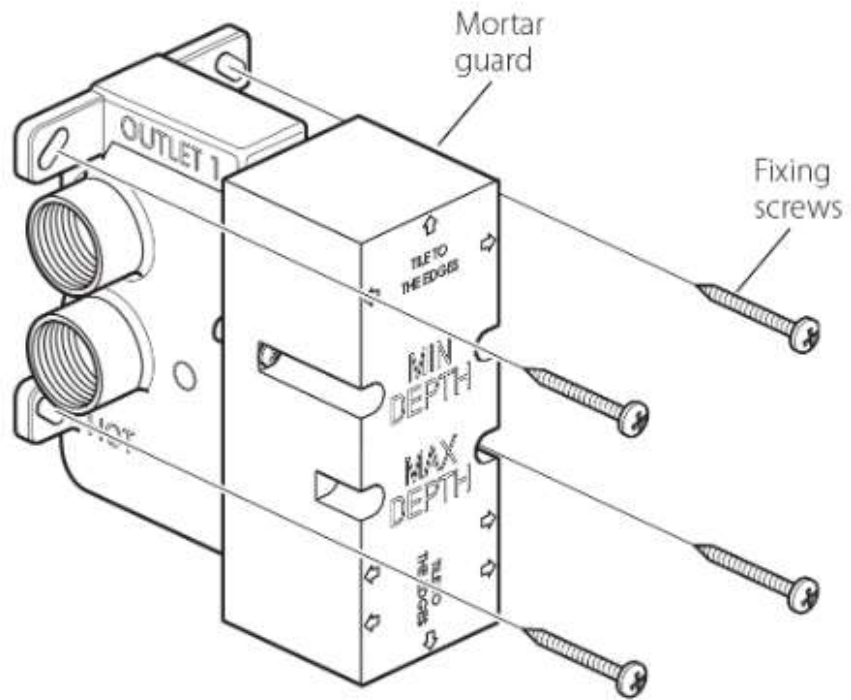
Step 1:



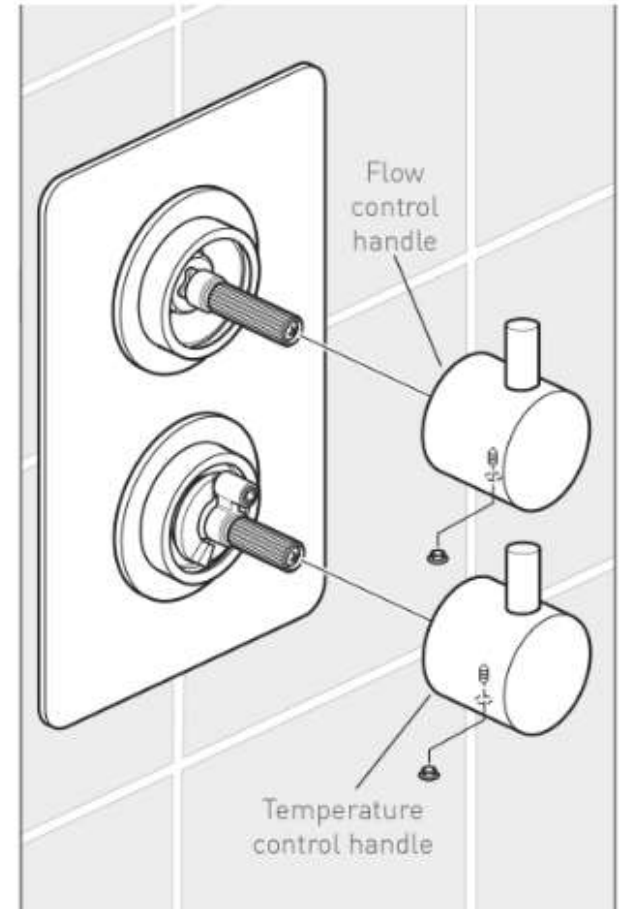
Step 2:



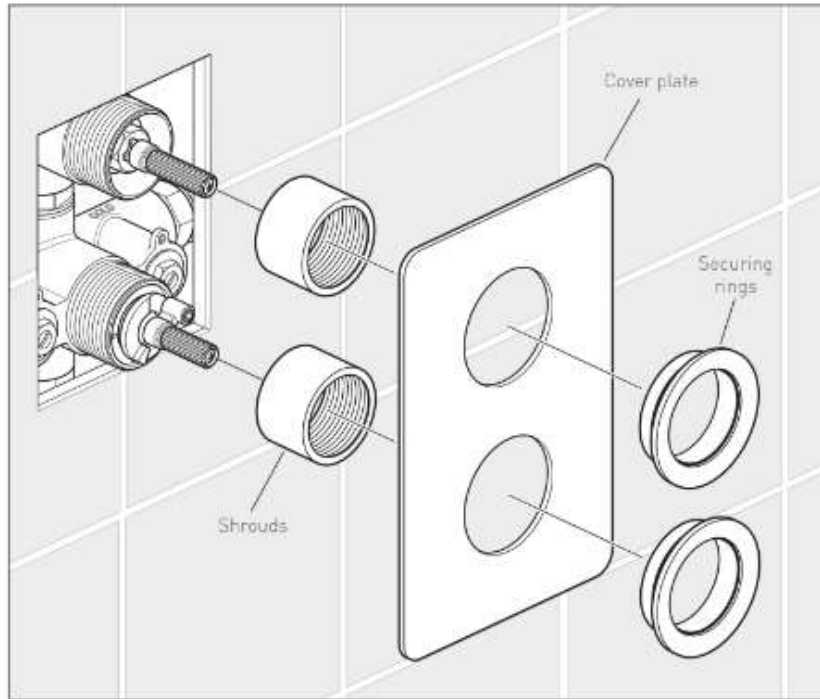
Step 3:



Step 4:



Step 5:



Step 6:



Step 7:



Step 8:



Step 9:



How to install the Shower Set with Wall Mount Showerhead, Hand Held Shower and Shower Mixer