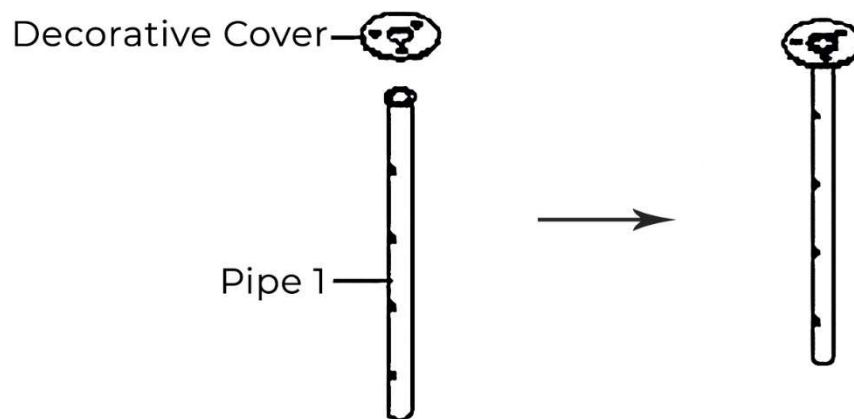
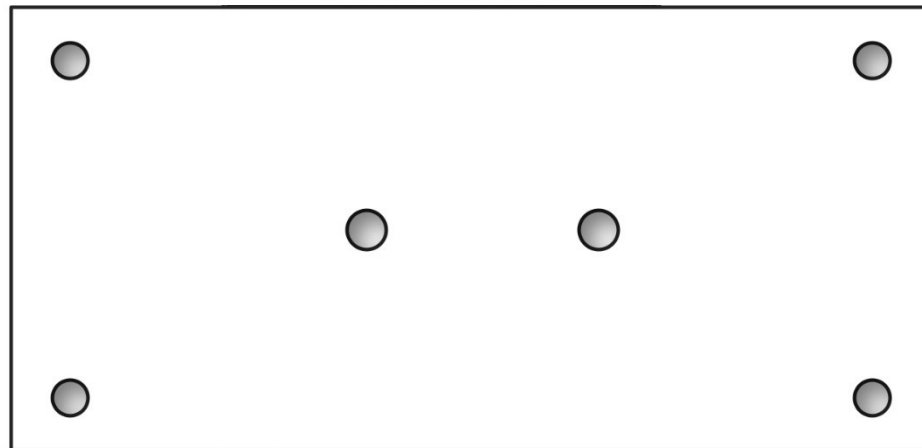


Installation Instructions for Fontana Diadema 20" x 40" Large Oil Rubbed Bronze Shower Head



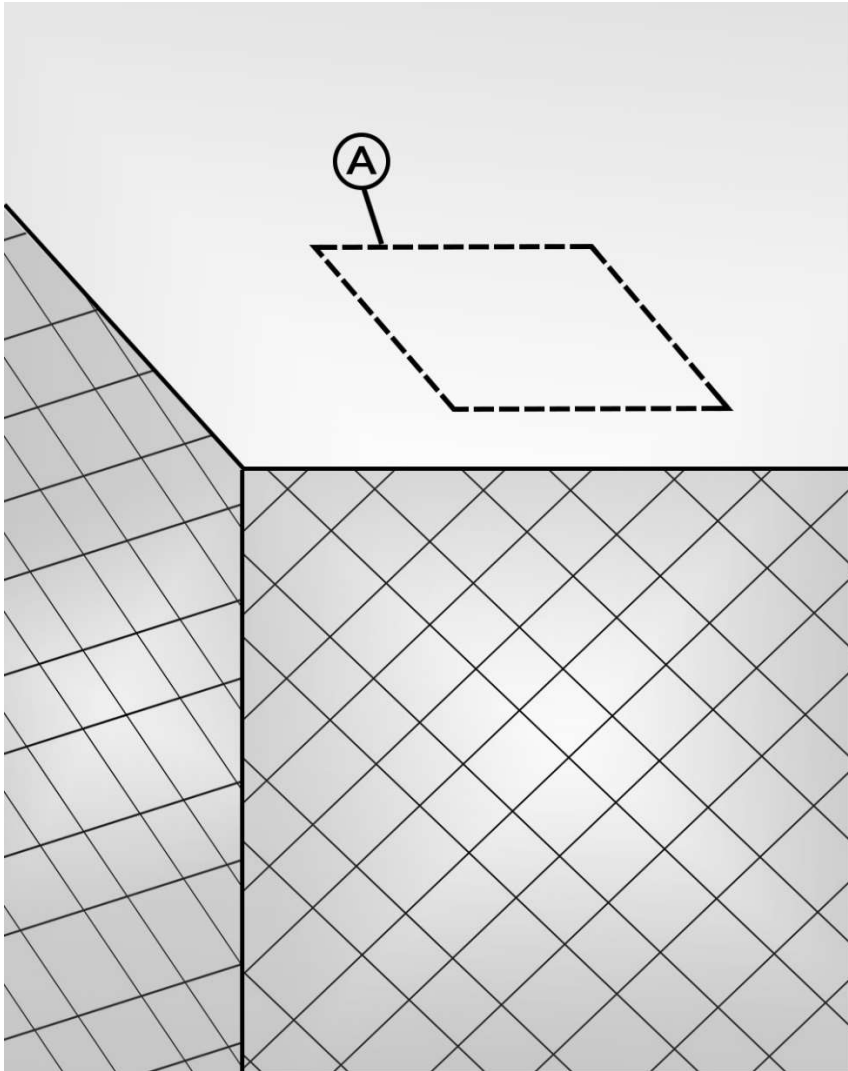
- Before you begin, please read the installation instructions below. Observe all local building and safety codes.
- Unpack and inspect the product for any shipping damages. If you find damages, do not install.
- Please note all showers must be installed by a professional and certified plumber otherwise warranty might be voided.

SHOWER HEAD INSTALLATION INSTRUCTIONS



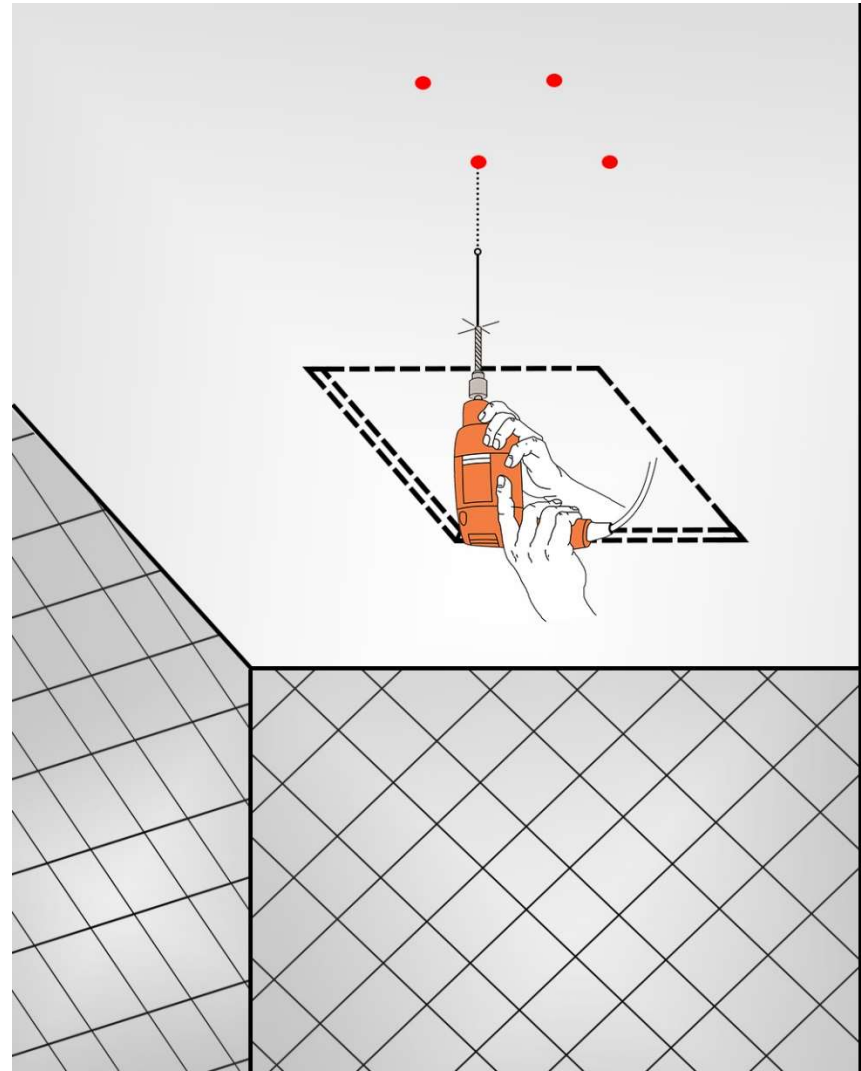
Connect pipe 1 with decorative cover

Step 1



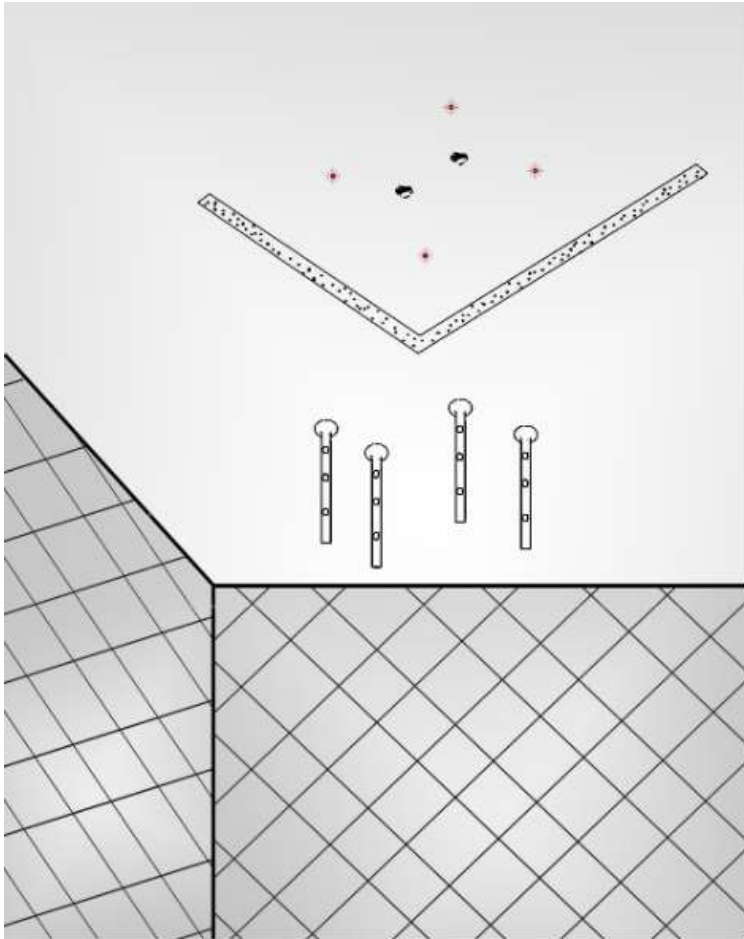
Draw the holes on the ceiling according to the Decorative Cover and pipes.

Step 2



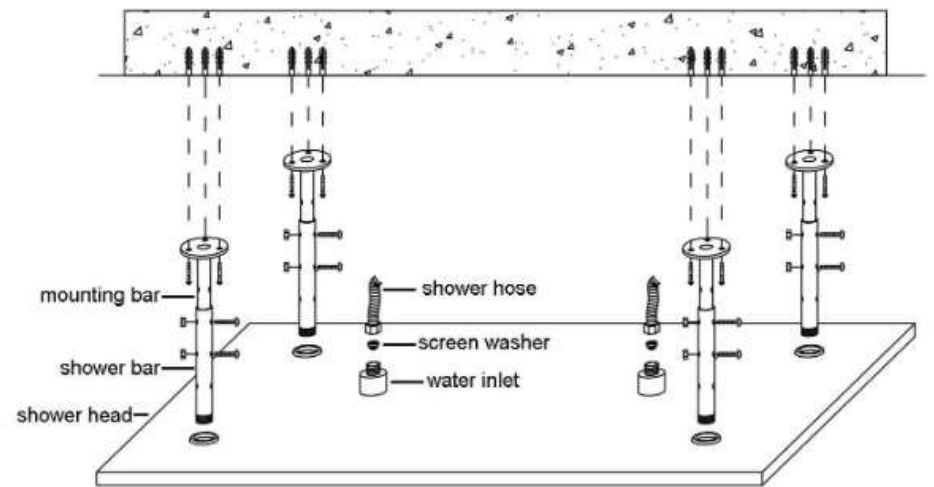
Drill the holes on the ceiling according to the hole specification and install 4 pipes.

Step 3



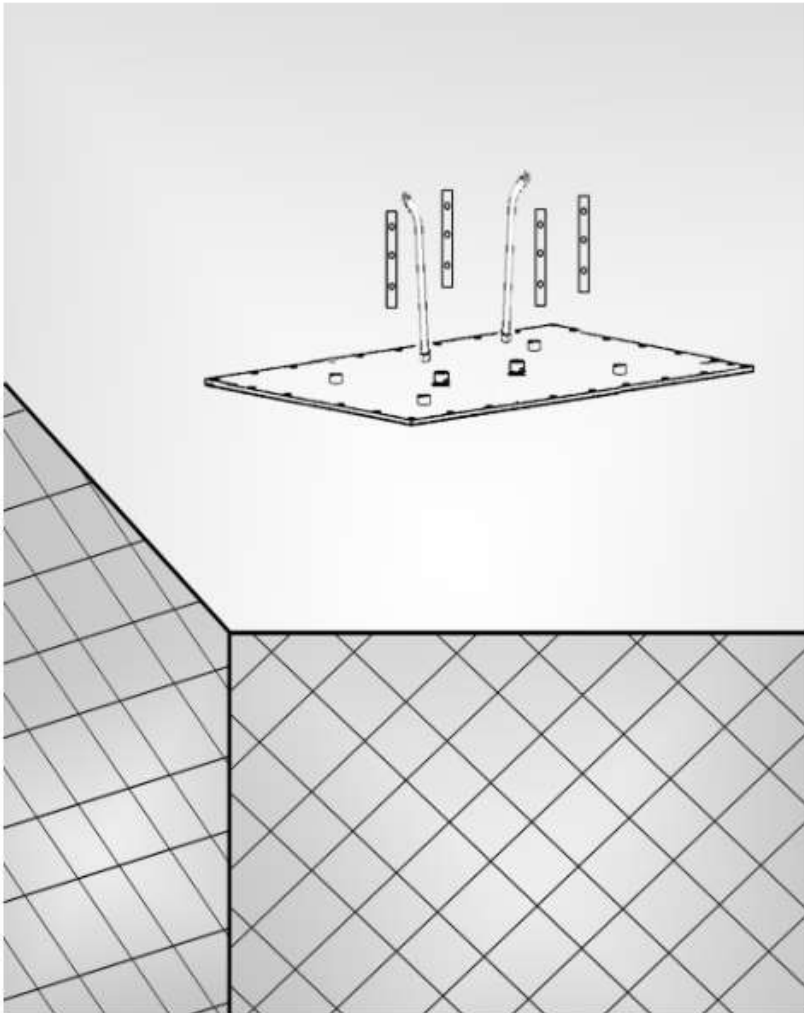
Put the screw bolts through the hole on the side to lock pipes.

Step 4

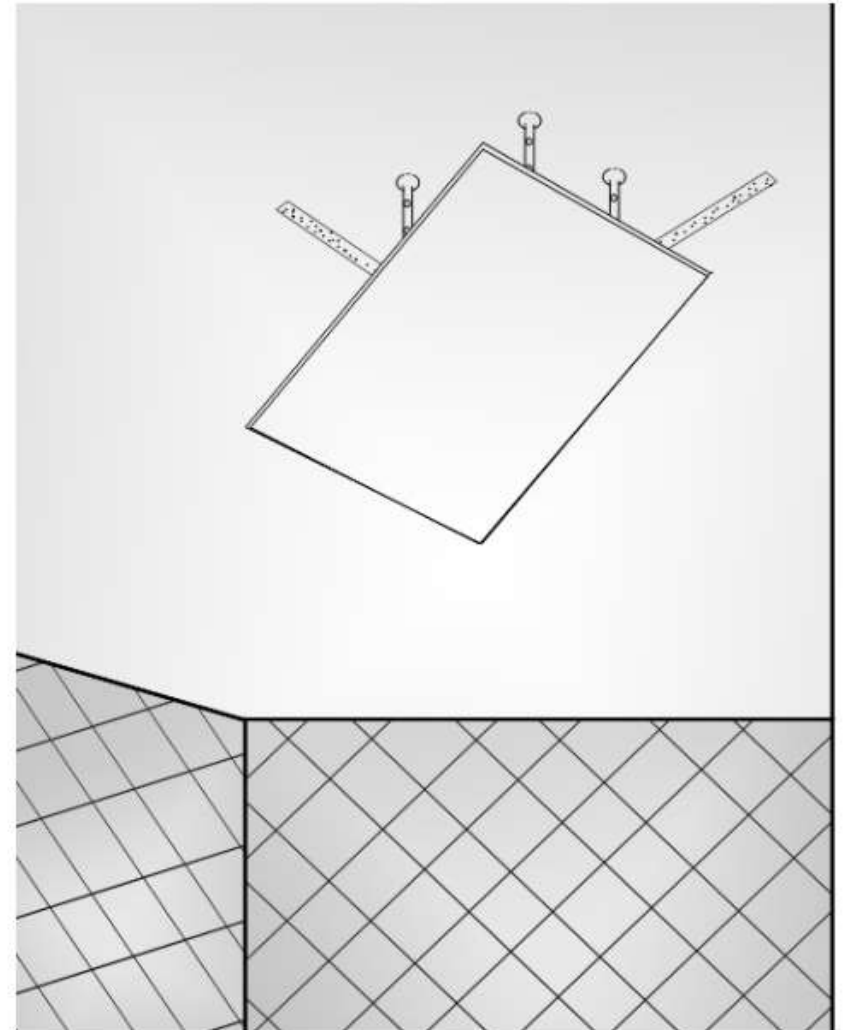


Install the four-pipes on the showerhead.

Step 5:



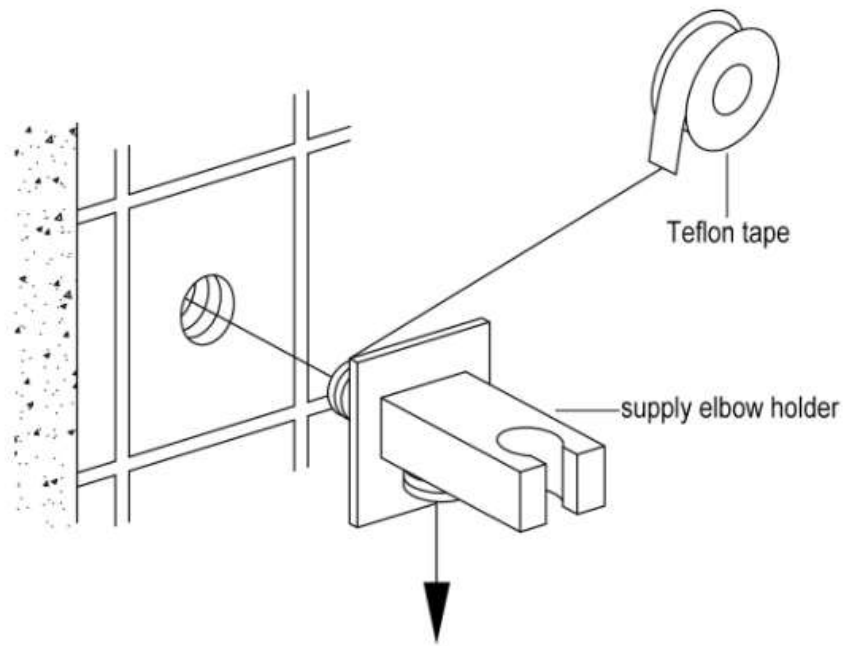
Step 6:



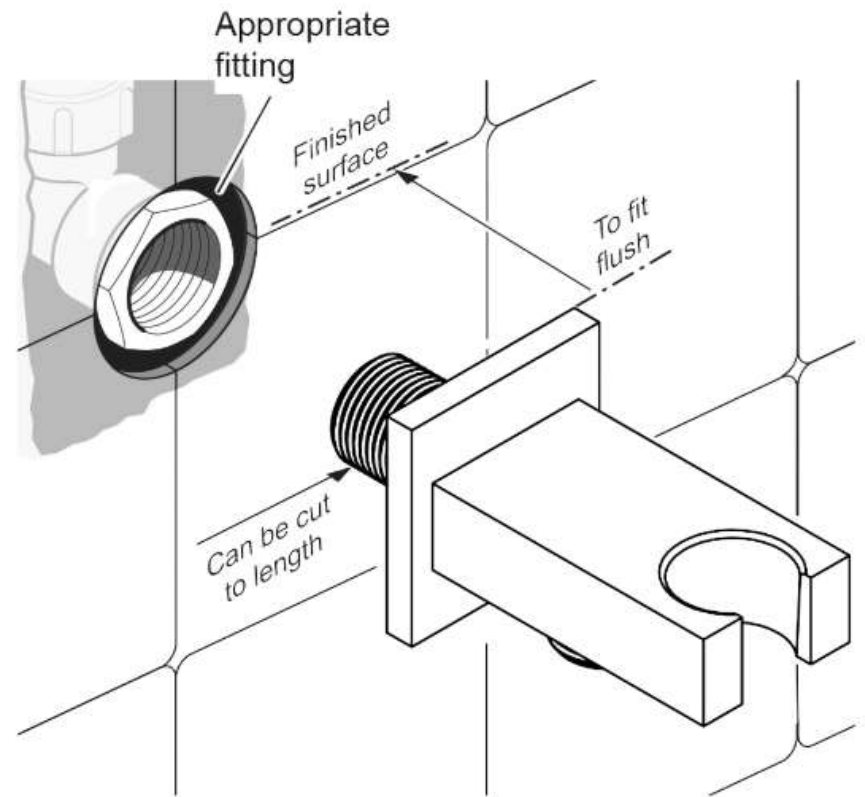
1. Mark the fixing positions and drill holes to suit the anchors.
2. Install the anchors and fix the mounting bar to the ceiling with screws.
3. Screw the shower bars into the showerhead tightly.
4. Attach the shower bar to the mounting bar and fix screws and nuts to lock the shower bar with mounting bar at the desired height.
5. Add screen washers. Screw shower hose (not included) to the water inlet on the showerhead and then to the water outlet in the ceiling.

Hand Held Shower Installation Instructions

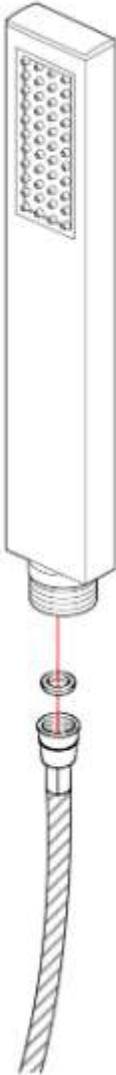
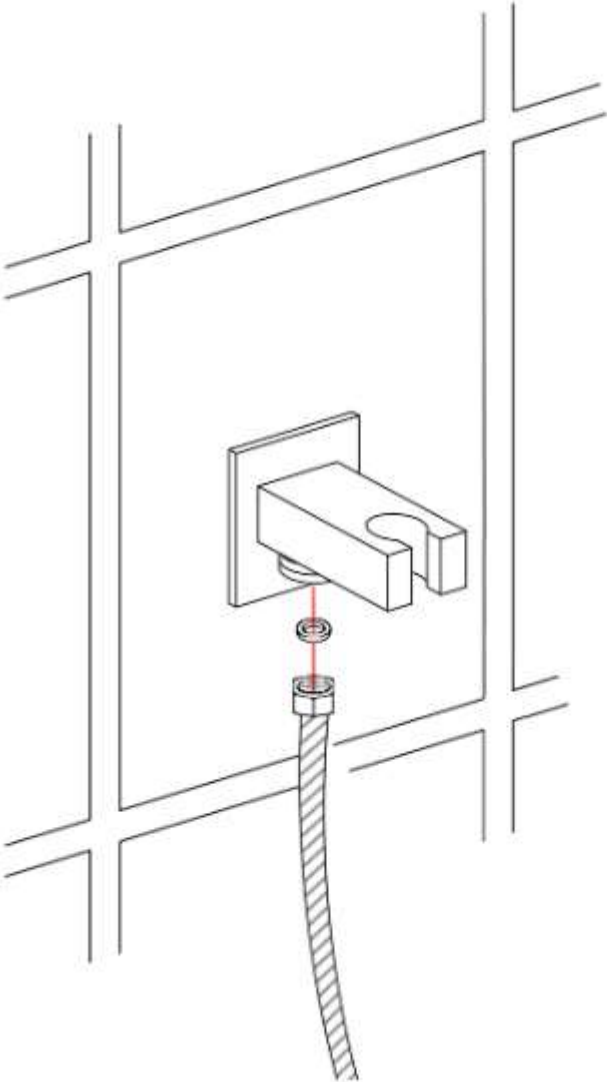
Step 1:



Step 2:



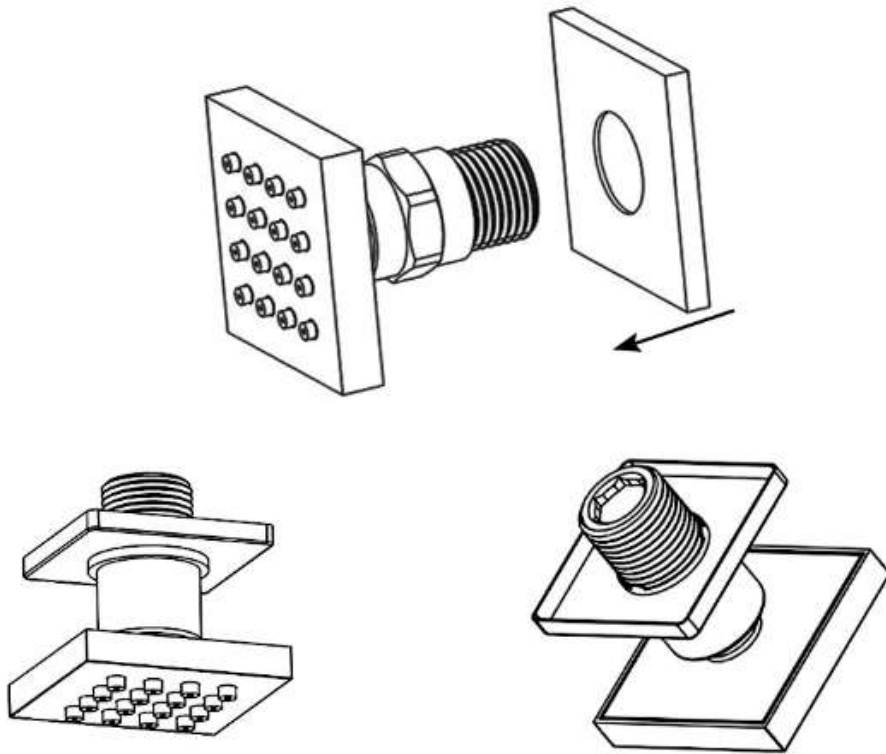
Step 3:



Shower Body Jets Installation Instructions

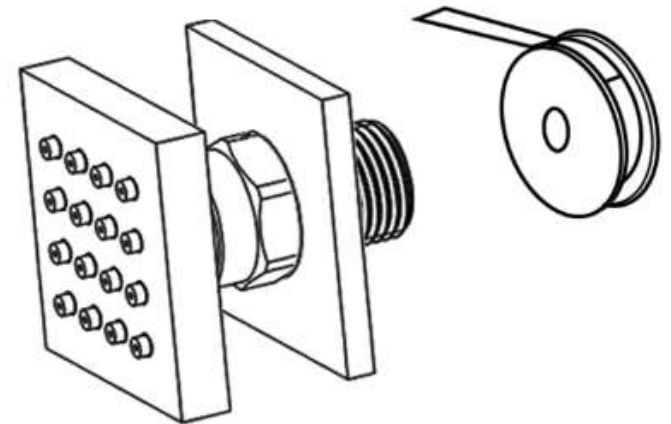
Body Sprays Installation Instructions

Step 1:



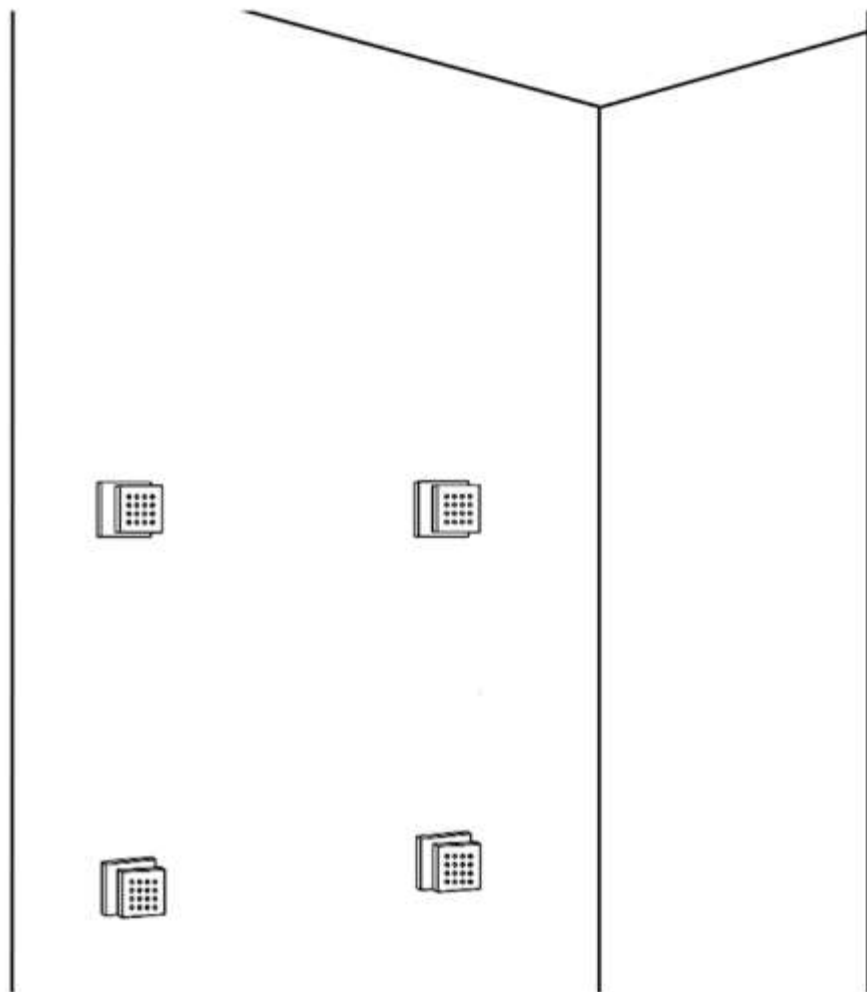
Set the decorative cover on the body jet.

Step 2:



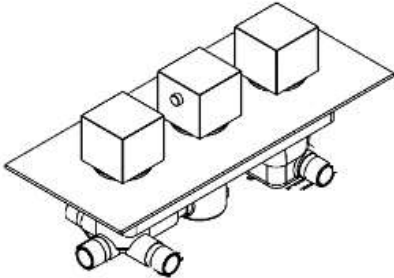
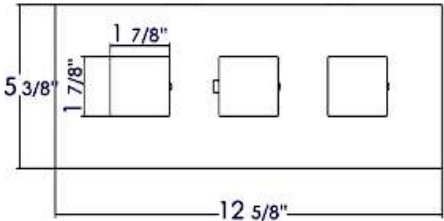
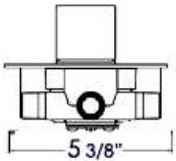
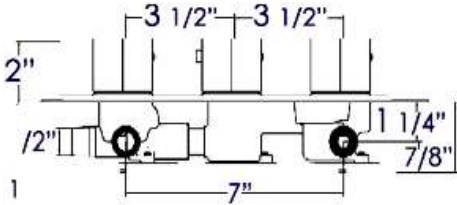
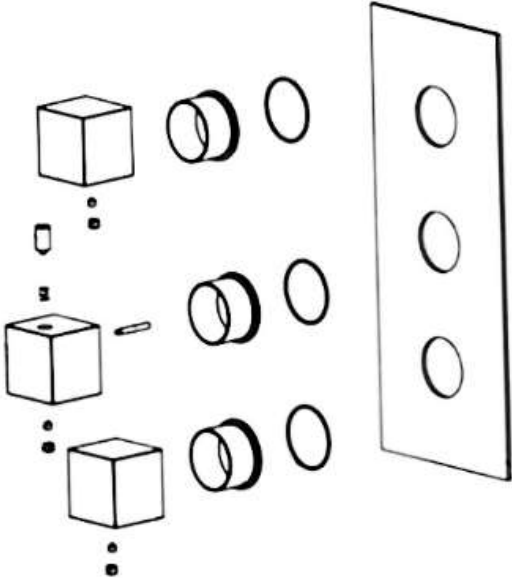
Roll the raw material belt in the thread screws.

Step 3:



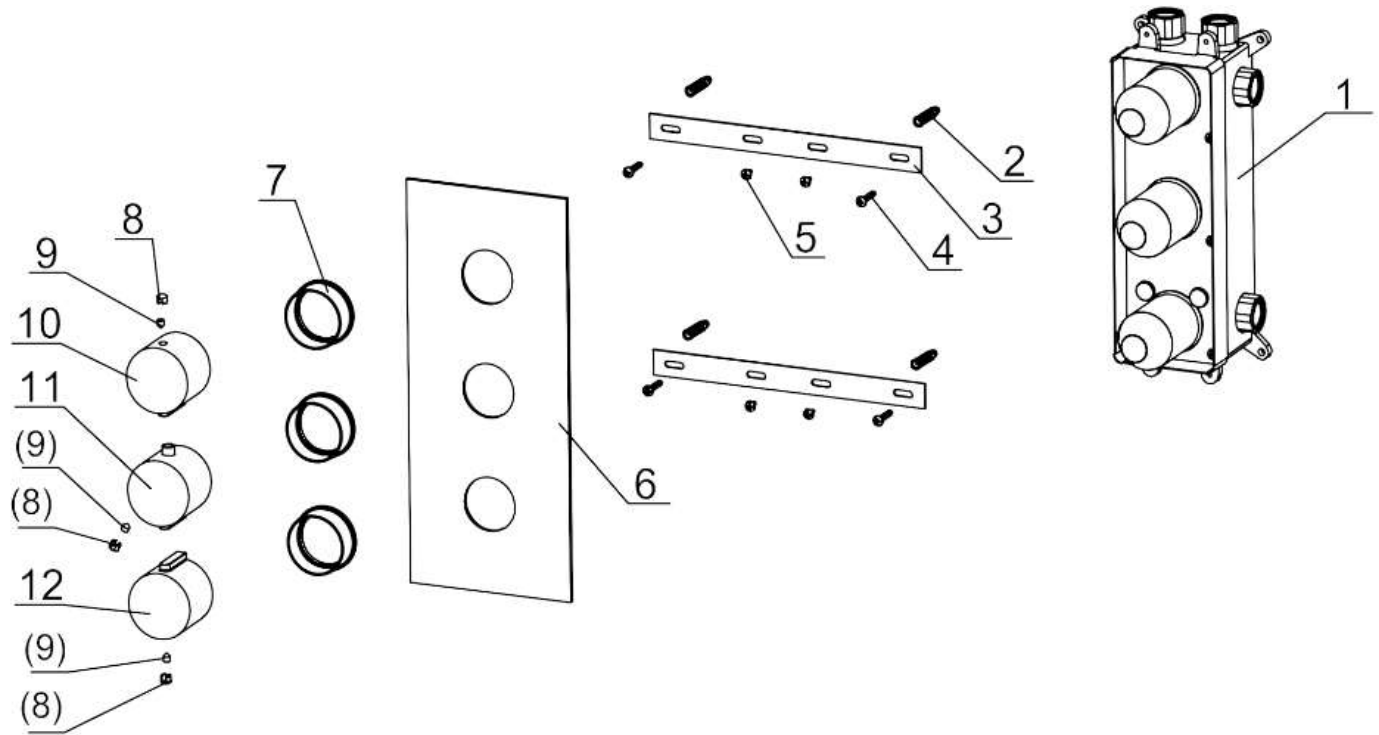
Use a wrench to tighten 6 body jets on the water outlet holes.
Tighten it in a clockwise direction.

Shower Thermostatic Mixer Installation Instructions

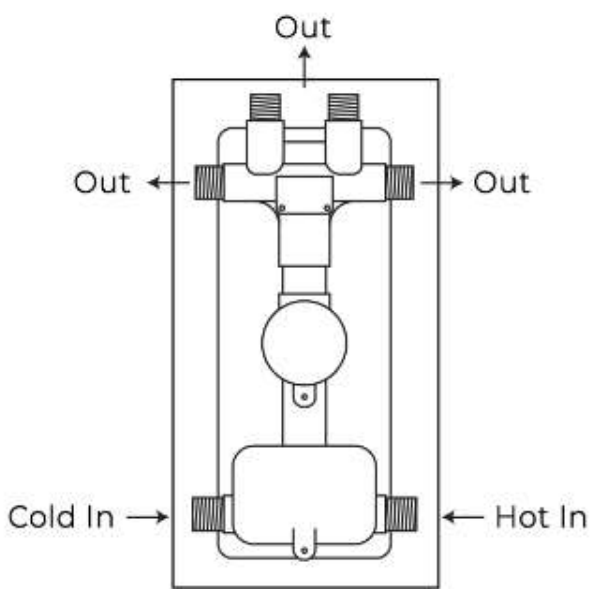
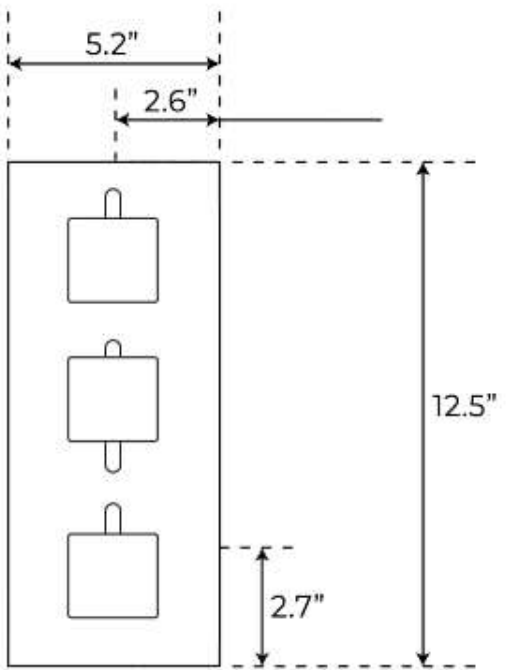
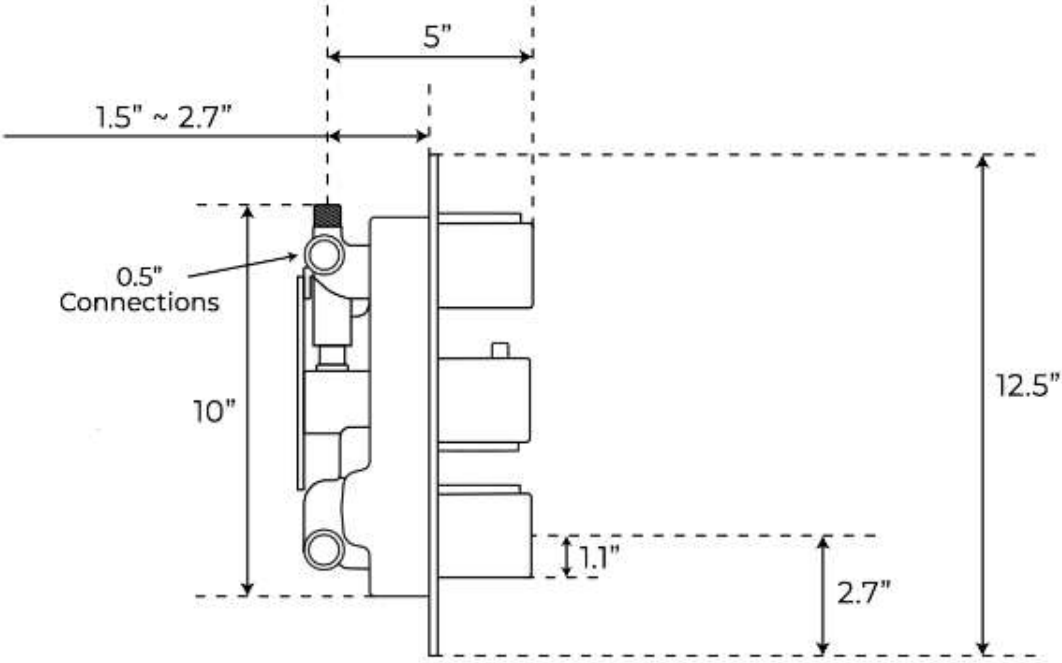


Parts:

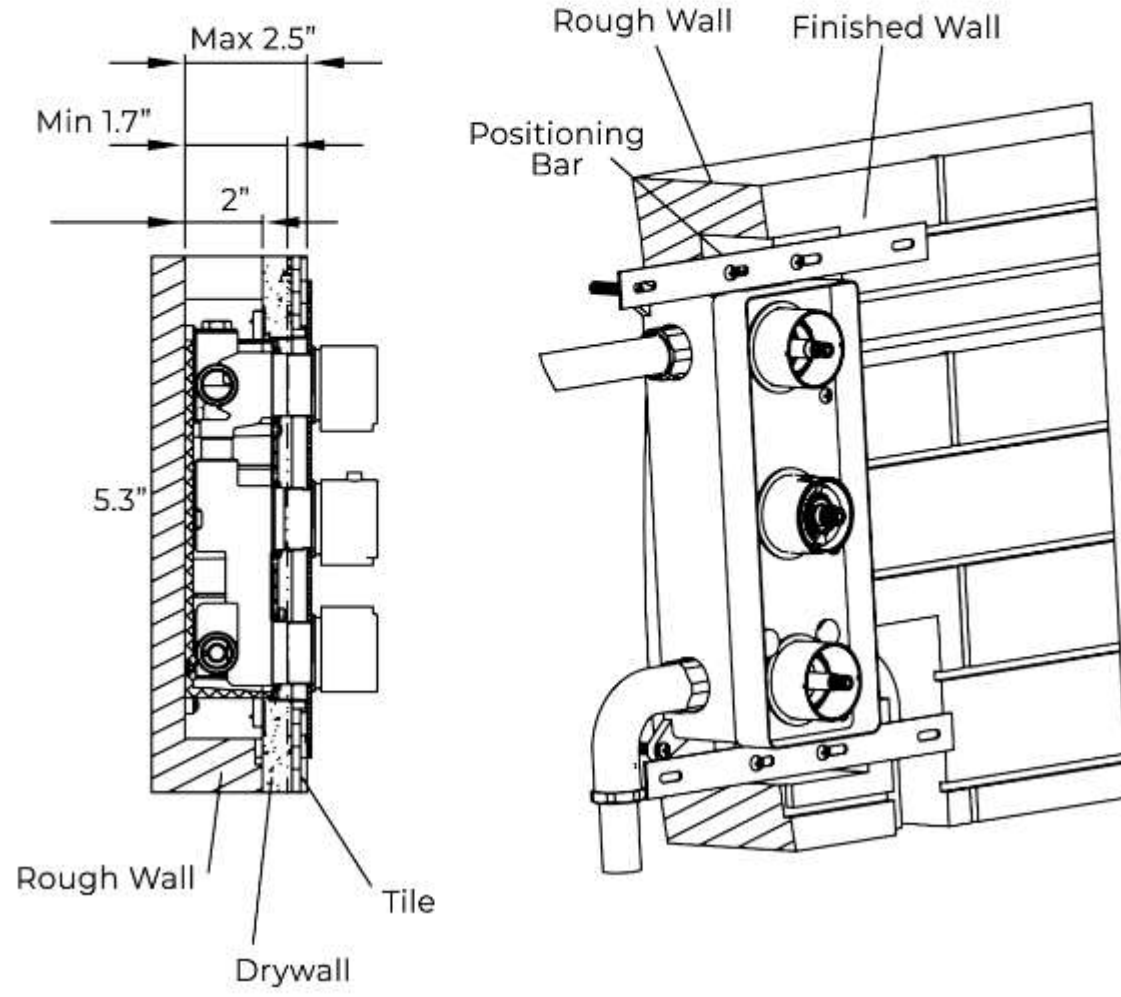
- 1. Rough-In Body x1
- 2. Anchor x4
- 3. Positioning Bar x2
- 4. Tapping Screw 1 x4
- 5. Tapping Screw 2 x4
- 6. Plate x1
- 7. Cover x3
- 8. Button x3
- 9. Screw 1 x3
- 10. Diverter Handle x1
- 11. Temperature Handle x1
- 12. Volume Handle x1



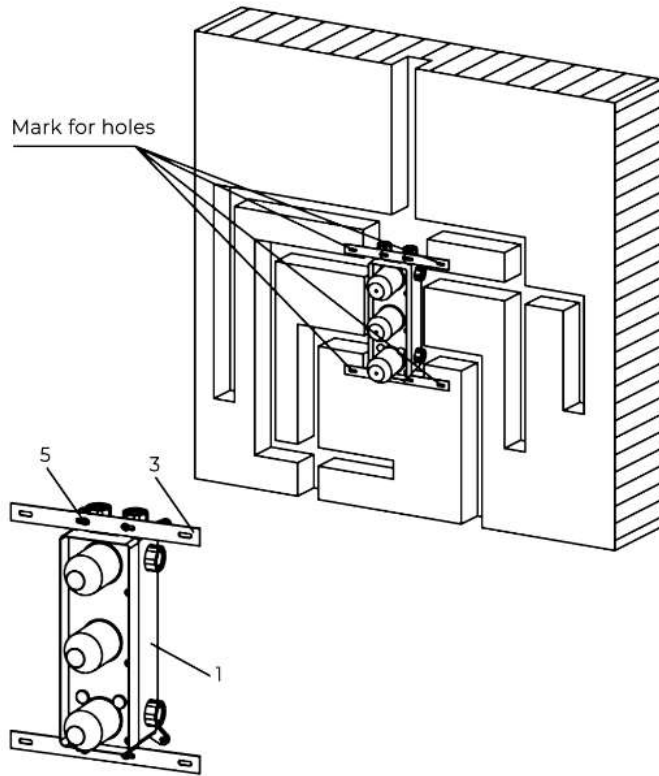
Step 1:



Step 2:

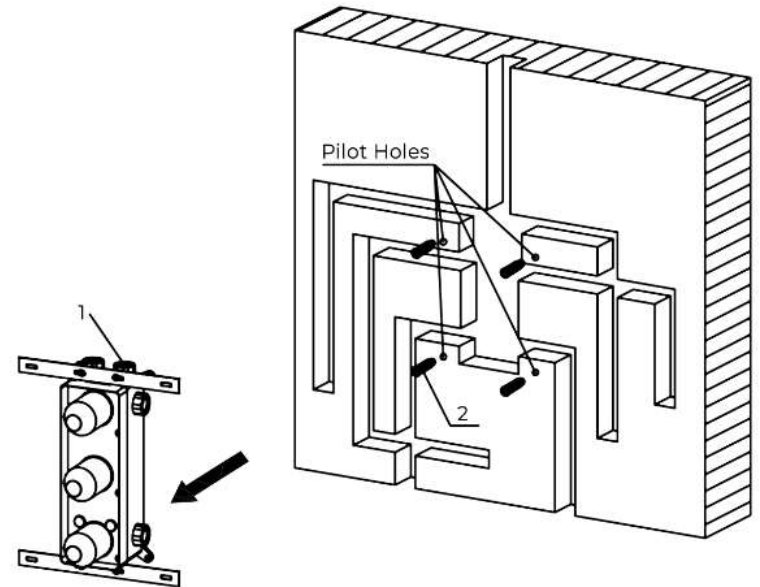


Step 3:



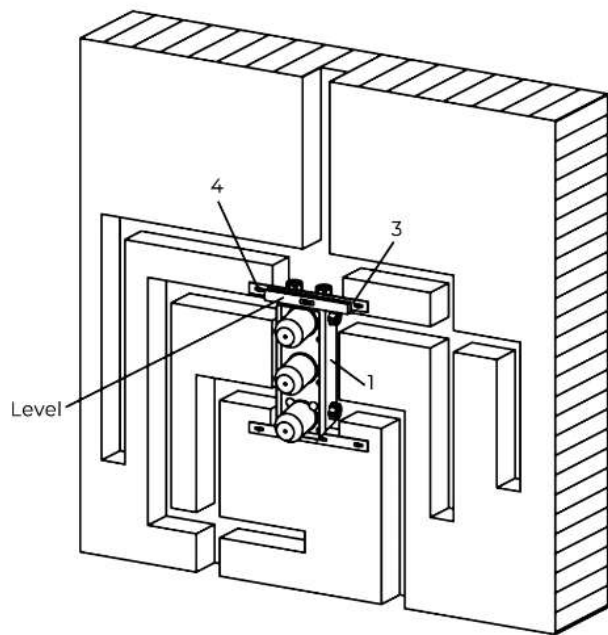
Attach the positioning bar to the rough-in body (4,5) with tapping screws. Mark the location of the mounting holes.

Step 4:



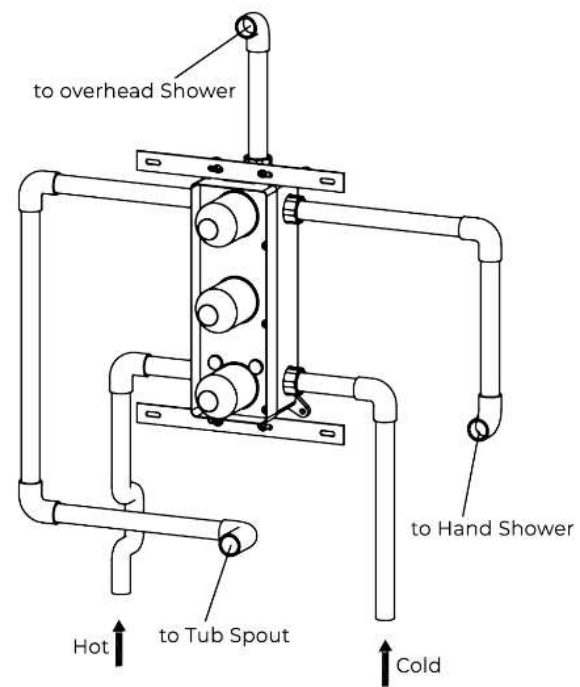
Remove the rough-in body and drill pilot holes at the locations marked in the previous step. Insert anchors.

Step 5:



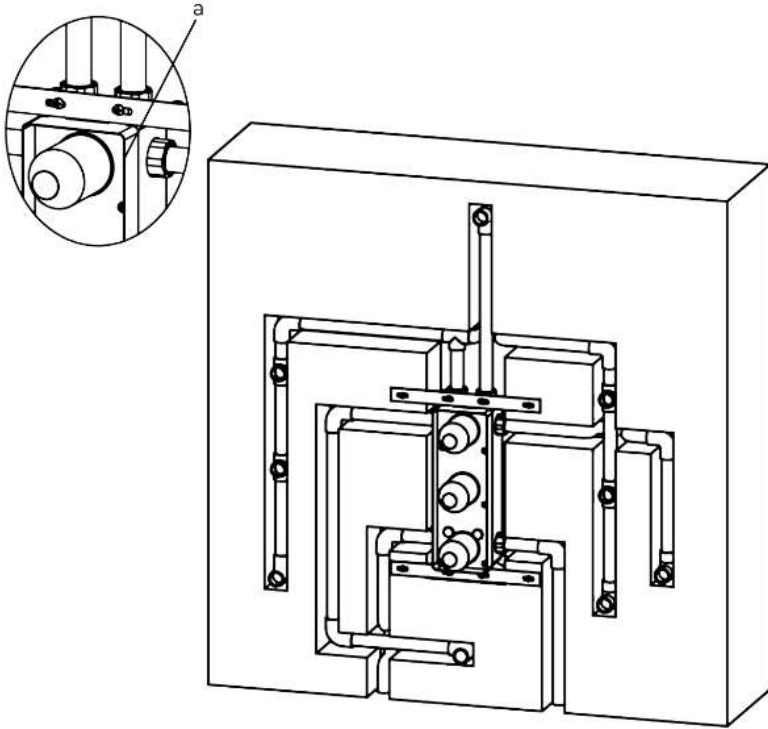
Attach the rough-in body to the wall.

Step 6:



Connect the rough-in body to the water supply pipes according to the diagram.

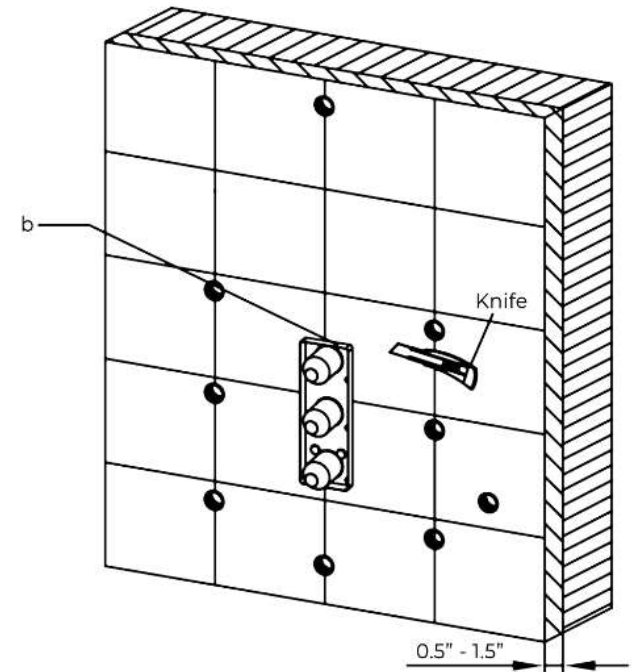
Step 7:



Finish the wall surrounding the shower with a thickness of 1/2"-1-1/2".

a) Finished wall surface should not exceed the upper edge of the installation box.

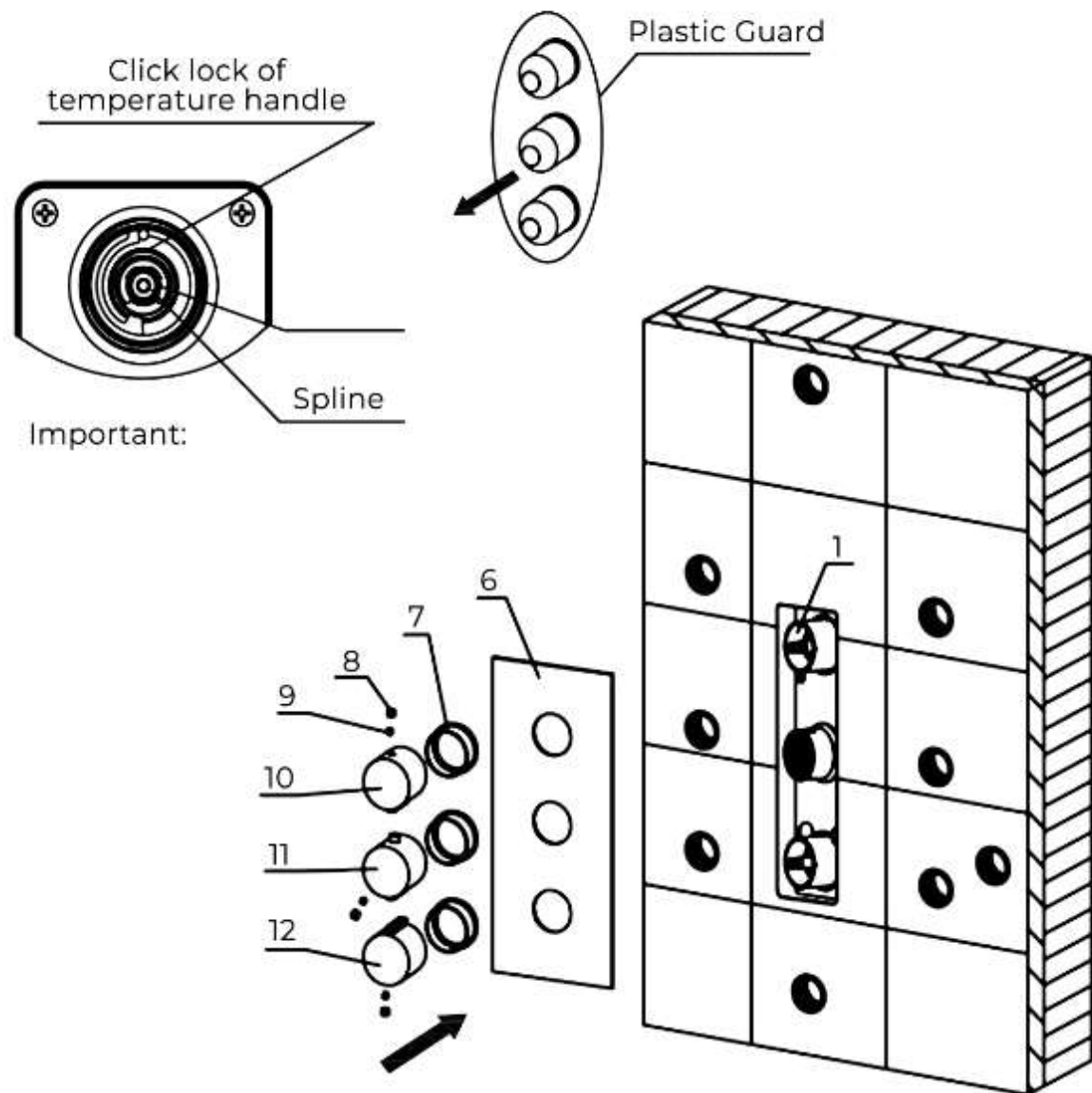
Step 8:



If the tile exceeds the edges of the installation box, trim the tile as necessary to install the trim plate.

b) Trim the tile around the installation box as necessary.

Step 9:



Remove the plastic guard and place the trim plate over the installation box. Install the screws covers, handles and buttons.