

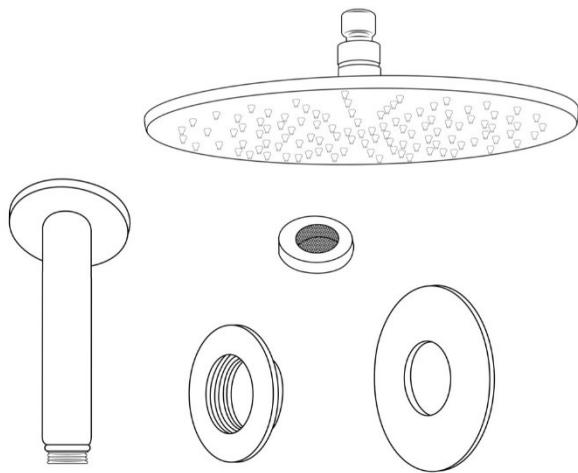
How To Install A Ceiling Shower Set With Hand-Held Shower And Body Jet



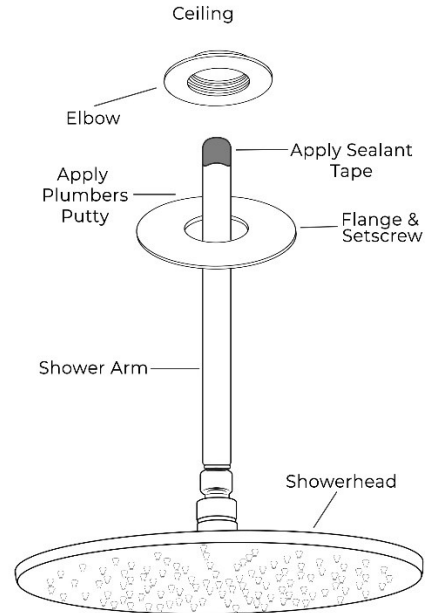
- Before you begin, please read the installation instructions below. Observe all local building and safety codes.
- Unpack and inspect the product for any shipping damages. If you find damages, do not install.
- Please note all showers must be installed by a professional and certified plumber otherwise warranty might be voided.

Shower Head Installation Instructions

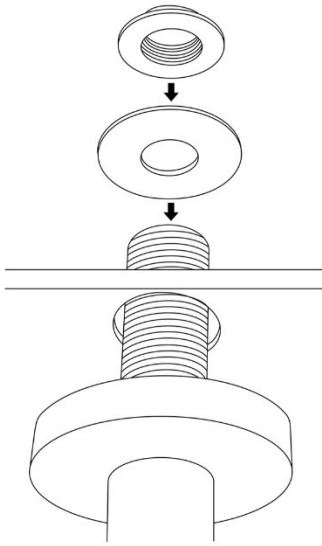
Step 1:



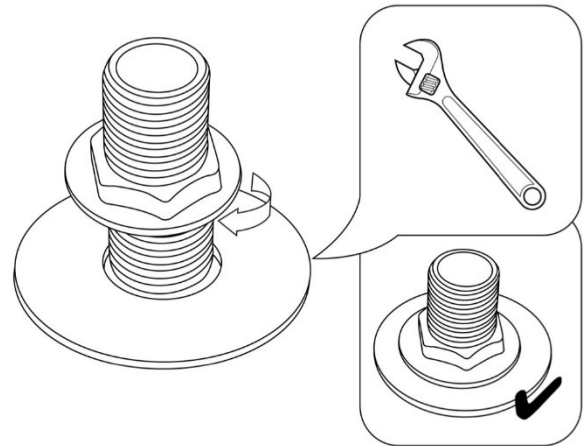
Step 2:



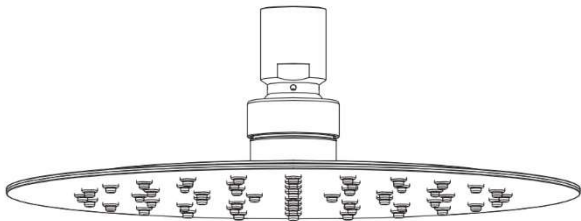
Step 3:



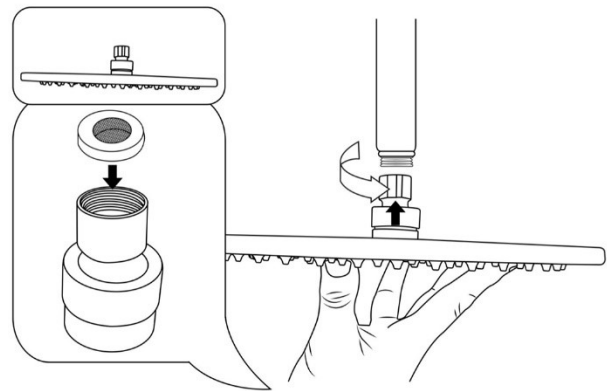
Step 4:



Step 5:



Step 6:



1. Attach the escutcheon to the shower arm.
2. Apply Teflon tape to the threaded tail pipe of the shower arm.
3. Screw the shower arm tightly into the female fitting in the ceiling.
4. Press the escutcheon against the finished ceiling.

Step 1: Take Out the Old Shower Head

You can easily remove it by hand, but depending on how long the rain showerhead has been installed, you might need to use an adjustable wrench.

Hence, if you find it difficult to remove, rotate the showerhead with an adjustable wrench in a counterclockwise direction to unscrew it.

Step 2: Keep the Shower Arm Clean and In Good Shape

After you have removed the head, check the shower arm threads for any debris and old Teflon tape.

If you find any, remove it and clean them off thoroughly. It's best to use a microfiber cloth when cleaning the thread because it removes Teflon tape perfectly and works great to pick up tiny grits.

Once you're done cleaning, check if it is corroded or leaking. For damaged threads, it will be best you replace it entirely so you can have a comfortable shower experience any time.

Step 3: Time to Add New Teflon Tape

Since you have removed the old Teflon tape, you have to replace it with new ones. The reason is that this tape helps to protect the shower from leaking after installing the showerhead.

Now apply the new Teflon tape about 3-5 turns on the thread and tear the end part. Use your hands to smooth it out to keep it leveled to the thread.

Keep in mind that when applying the tape, you should go in a clockwise motion so that it doesn't come off when you attach the head in the same direction.

Step 4: Connect the Showerhead

As said earlier in the tools needed, we're using the rubber sealing washer that comes with the showerhead. This tool helps to make the showerhead stay watertight and secured on to the thread. Ensure you place it properly before installing it.

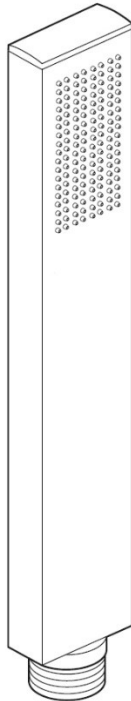
After that, reconnect the shower head and tighten it down with your hands. You can employ a chair or ladder to make things easier for you.

Step 5: Tighten the Showerhead On To the Thread

You will need to get the adjustable wrench handy to tighten down the shower very well. But make sure you wrap the threads with a terry cloth, so it doesn't damage the finish when tightening the showerhead.

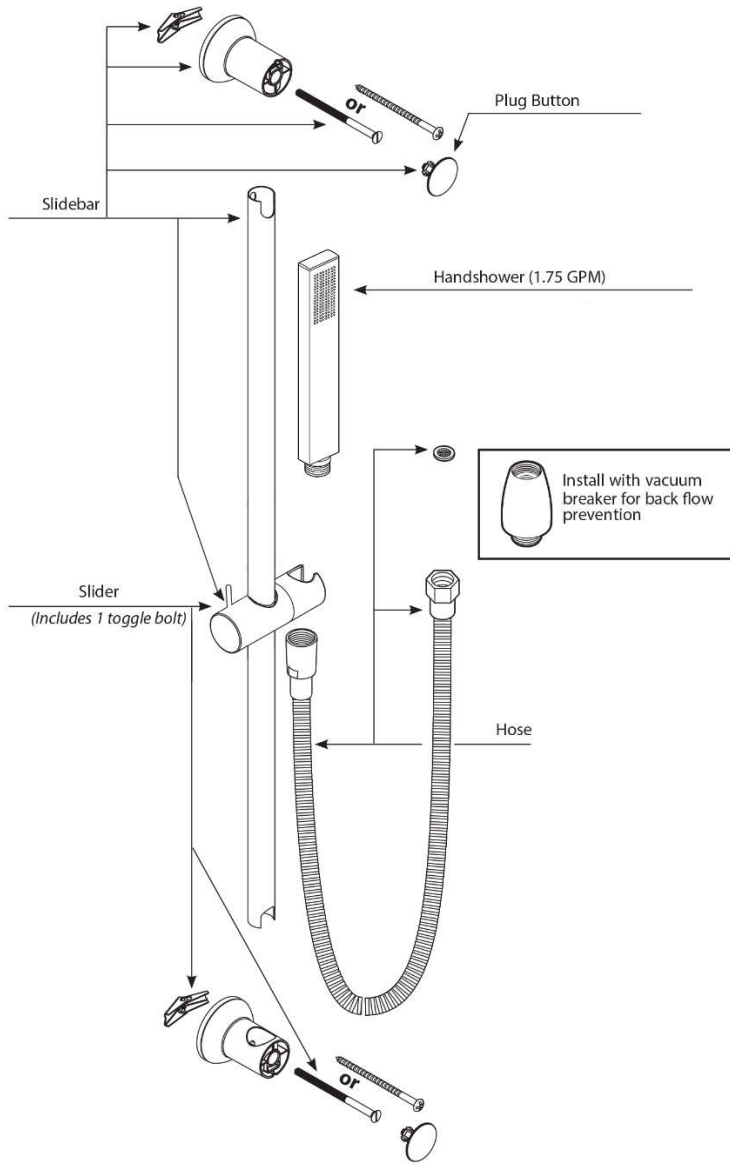
Once you have done that, now use the adjustable wrench to tighten down the showerhead. However, don't over-tight or force it so that it's easier to remove in the future.

Hand-Held Shower Installation Instructions



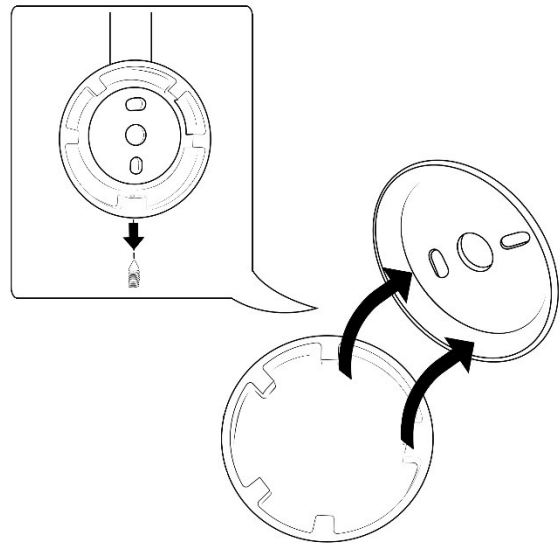
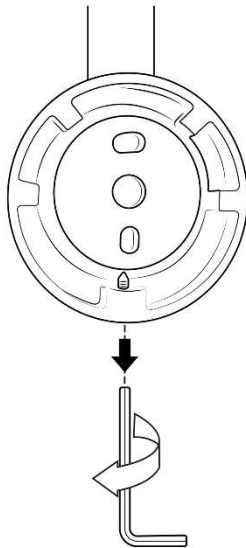
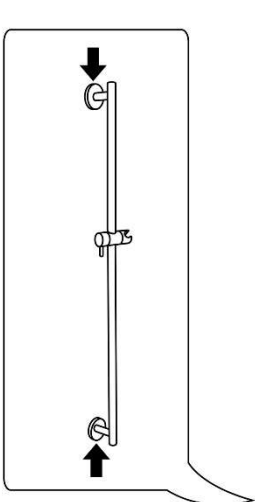
Parts:

Hose
Sidebar
Slider
Handshower
Plug Button

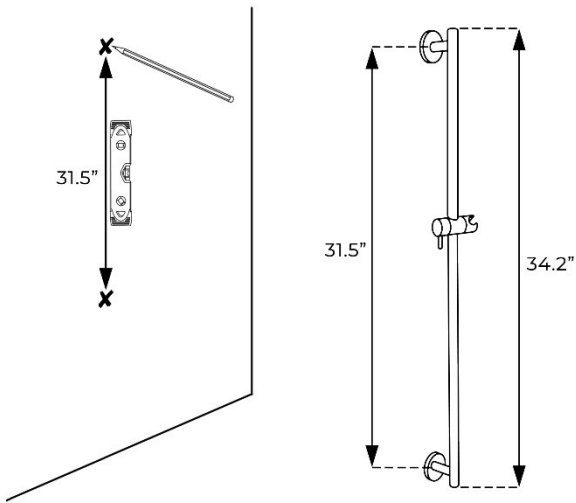


Step 1:

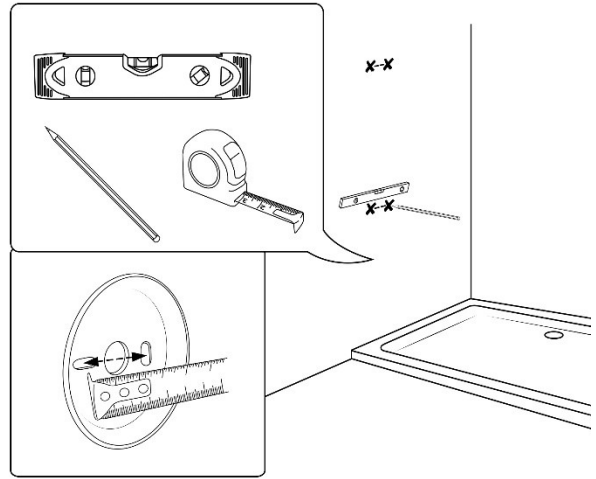
Step 2:



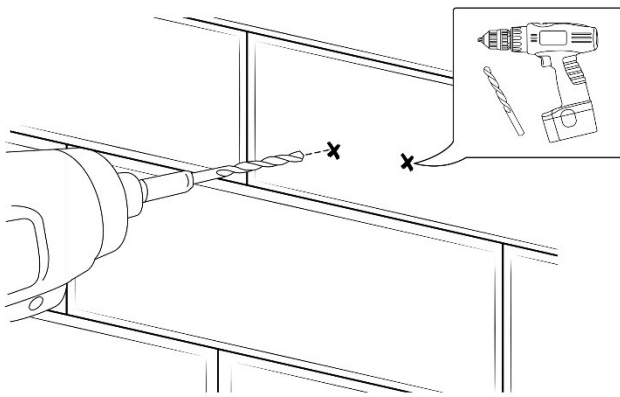
Step 3:



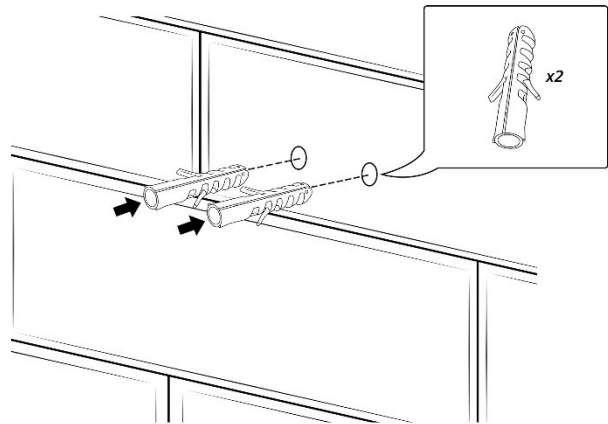
Step 4:



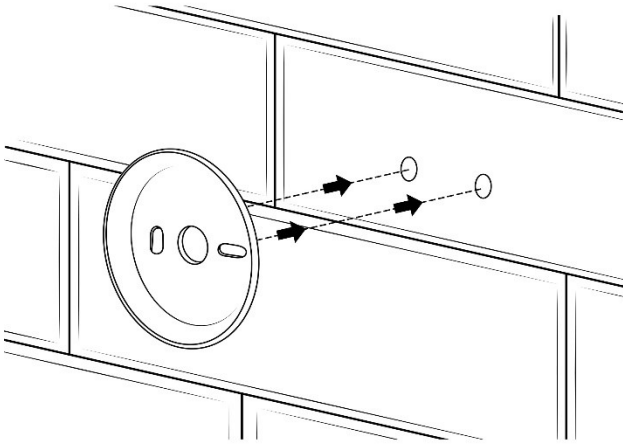
Step 5:



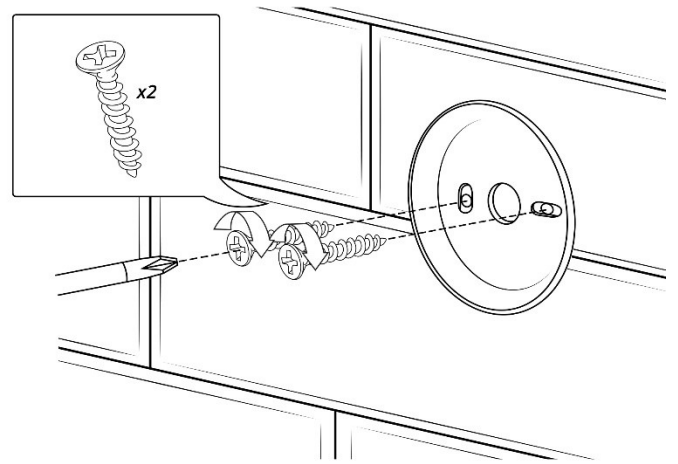
Step 6:



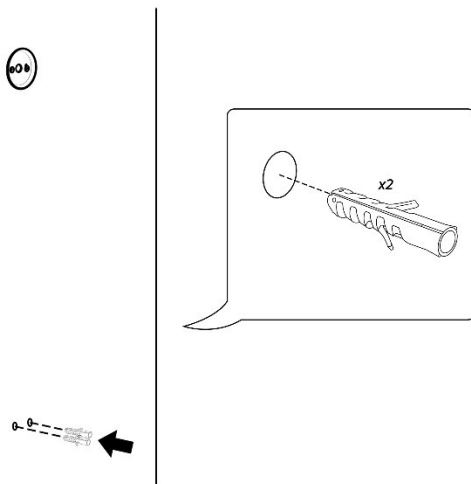
Step 7:



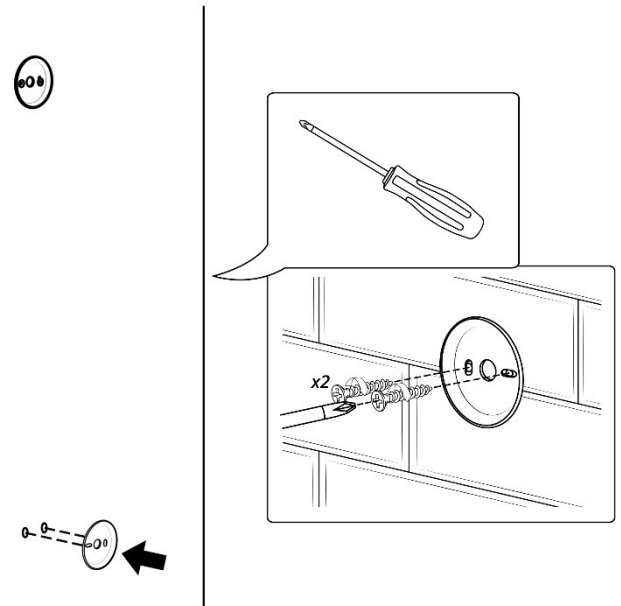
Step 8:



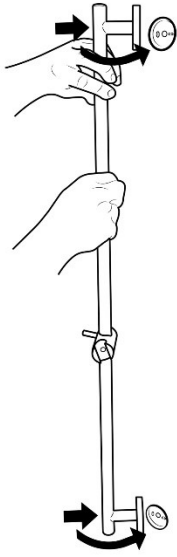
Step 9:



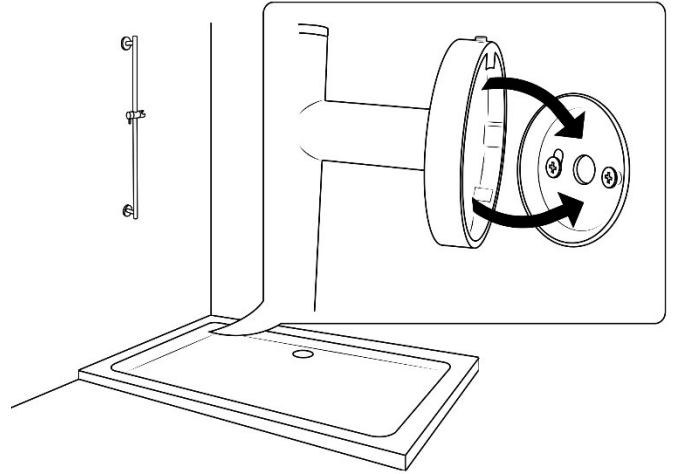
Step 10:



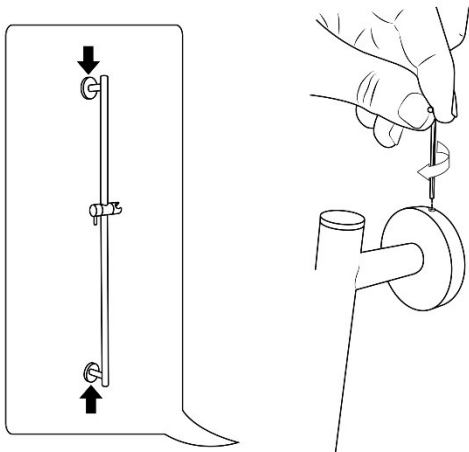
Step 11:



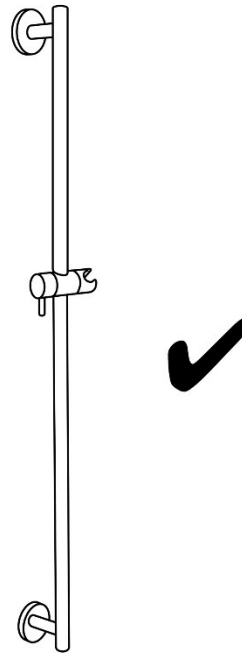
Step 12:



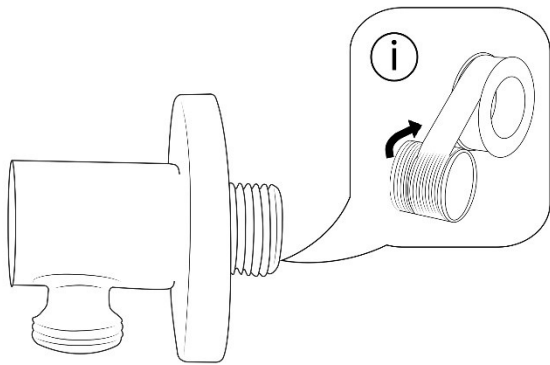
Step 13:



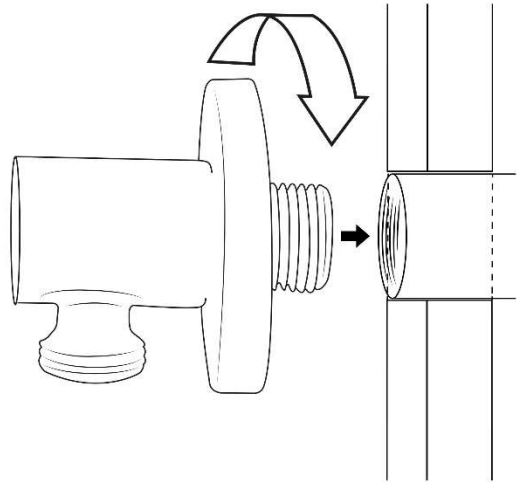
Step 14:



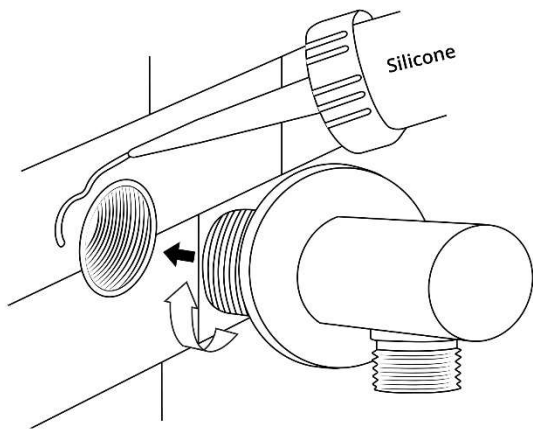
Step 15:



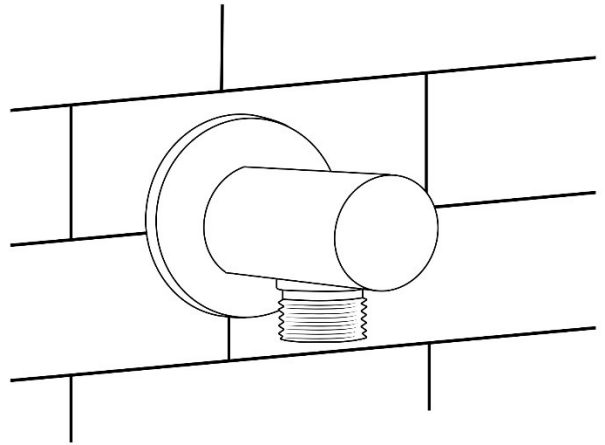
Step 16:



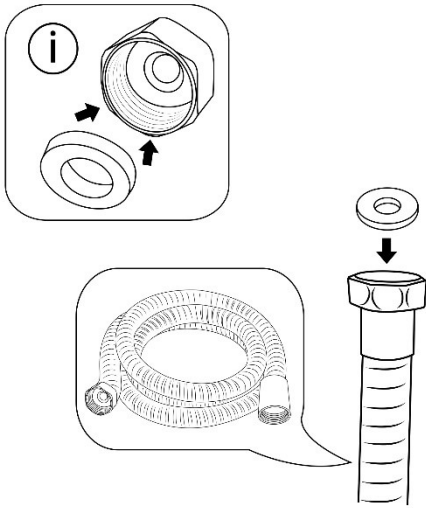
Step 17:



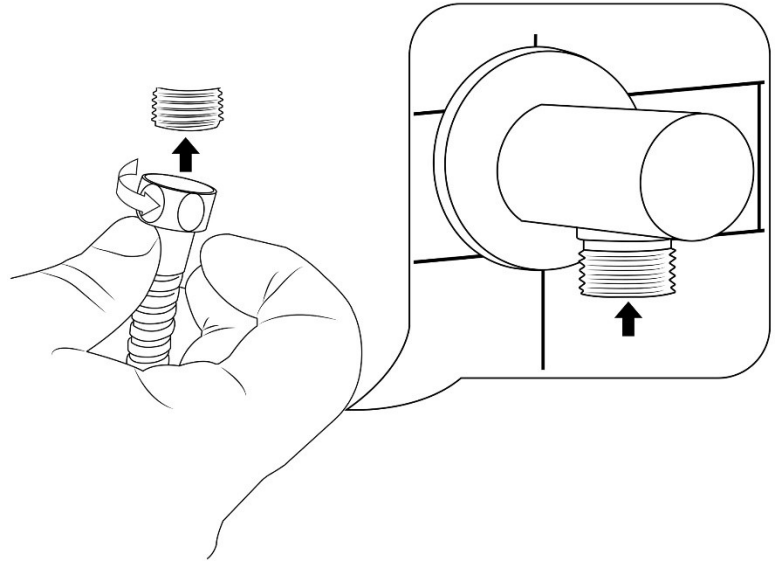
Step 18:



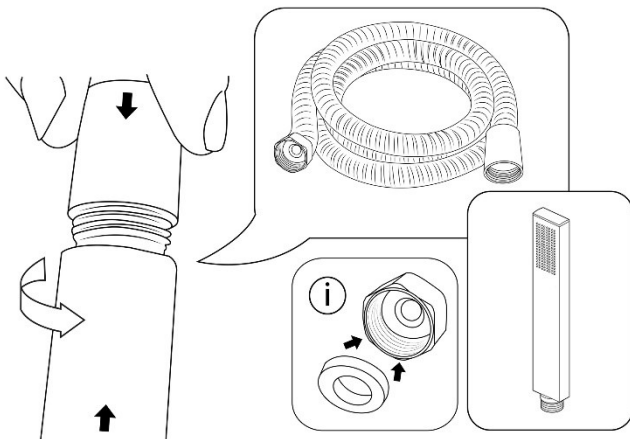
Step 19:



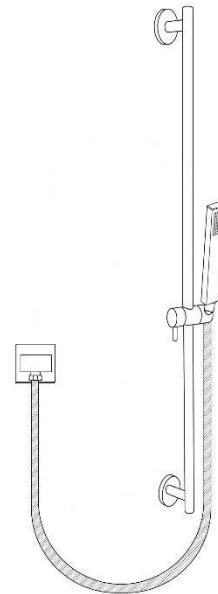
Step 20:



Step 21:



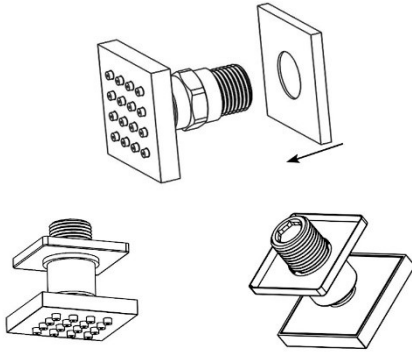
Step 22:



1. Open The Closed Cover Of The Shower Holder And Take Out The Screws.
2. Drill Two Holes Size 0.2" (6mm) On The Wall According To The Hole Position Of The Shower Holder.
3. Use A Hammer To Break 2 Plastic Wall Plug Into Two Holes. Tighten The Screws With The Plastic Wall Plug And Locking With The Shower Holder. Then Install The Closed Cover.
4. Connect The Shower Hose With The Water Outlet Connection Part And Hand Shower. Plug The Hand Shower In The Shower Holder.

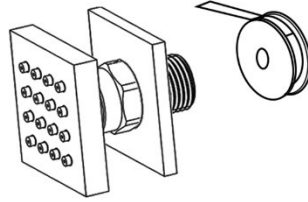
Shower Body Jets Installation Instructions

Step 1:



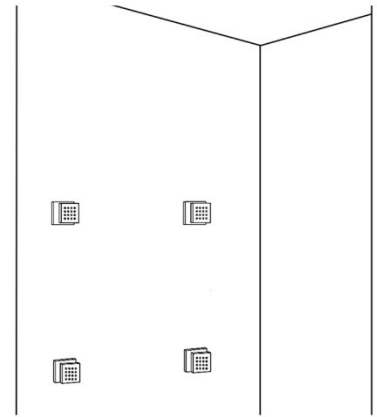
Set The Decorative Cover On The Body Jet.

Step 2:



Roll The Raw Material Belt In The Thread Screws.

Step 3:

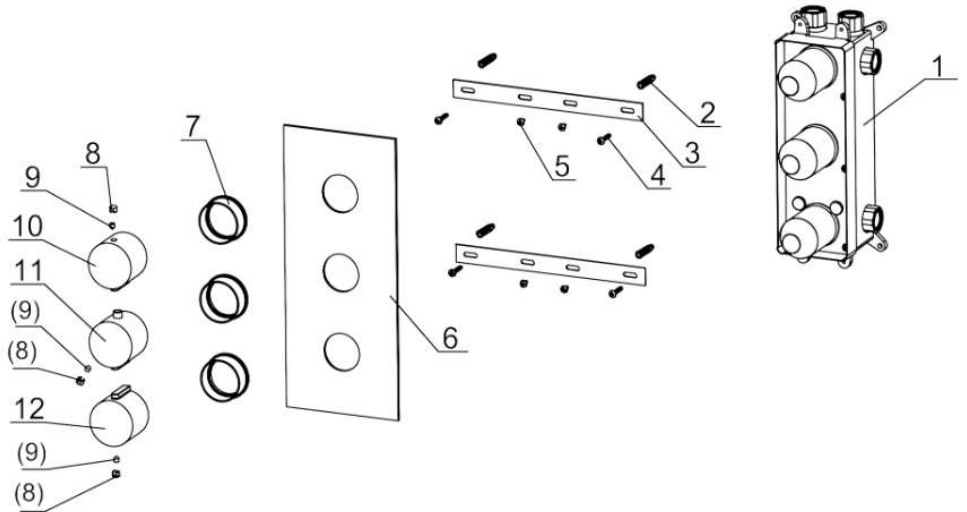


Use A Wrench To Tighten 6 Body Jets On The Water Outlet Holes In A Clockwise Direction.

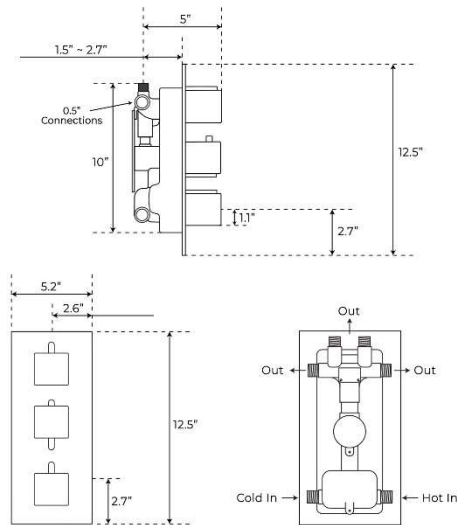
Shower Valve Mixer Installation Instructions

Parts:

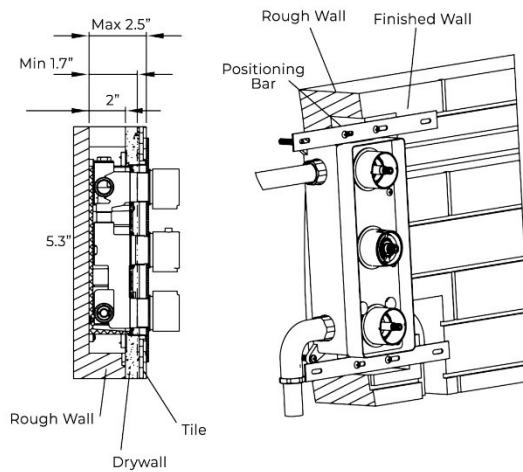
1. Rough-In Body X1
2. Anchor X4
3. Positioning Bar X2
4. Tapping Screw 1 X4
5. Tapping Screw 2 X4
6. Plate X1
7. Cover X3
8. Button X3
9. Screw 1 X3
10. Diverter Handle X1
11. Temperature Handle X1
12. Volume Handle X1



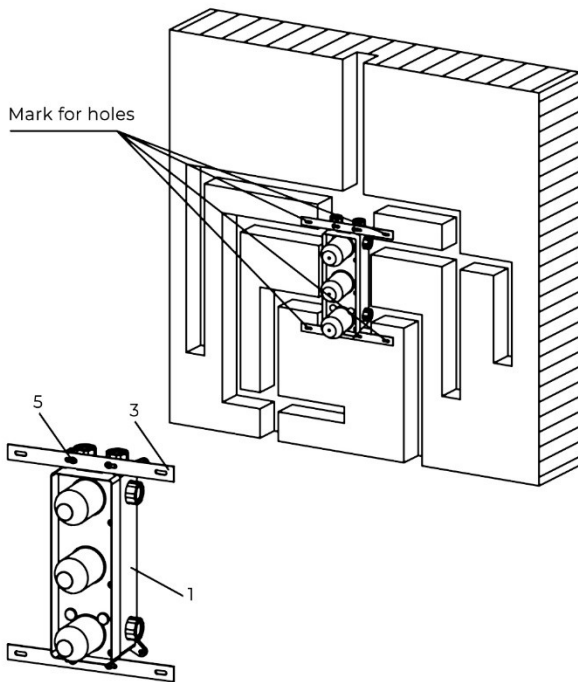
Step 1:



Step 2:

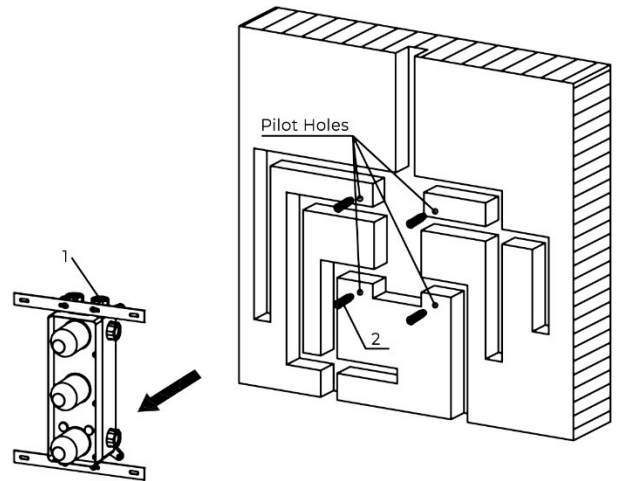


Step 3:



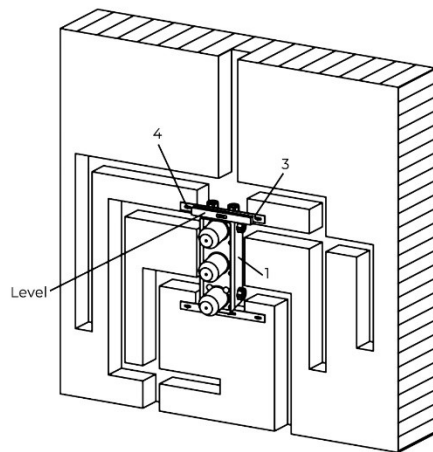
Attach The Positioning Bar To The Rough-In Body (4,5) With Tapping Screws. Mark The Location Of The Mounting Holes.

Step 4:



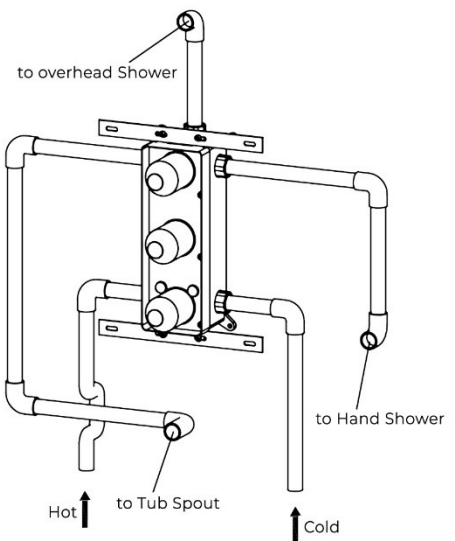
Remove The Rough-In Body And Drill Pilot Holes At The Locations Marked In The Previous Step. Insert Anchors.

Step 5:



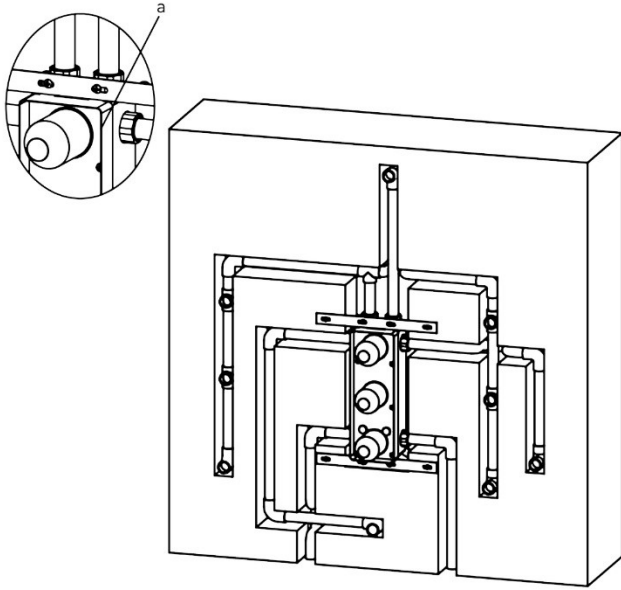
Attach The Rough-In Body To The Wall.

Step 6:

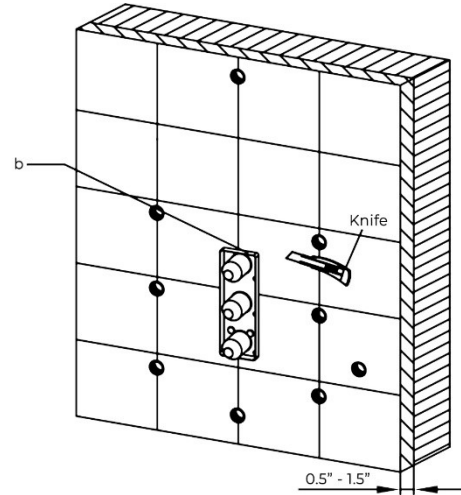


Connect The Rough-In Body To The Water Supply Pipes According To The Diagram.

Step 7:



Step 8:



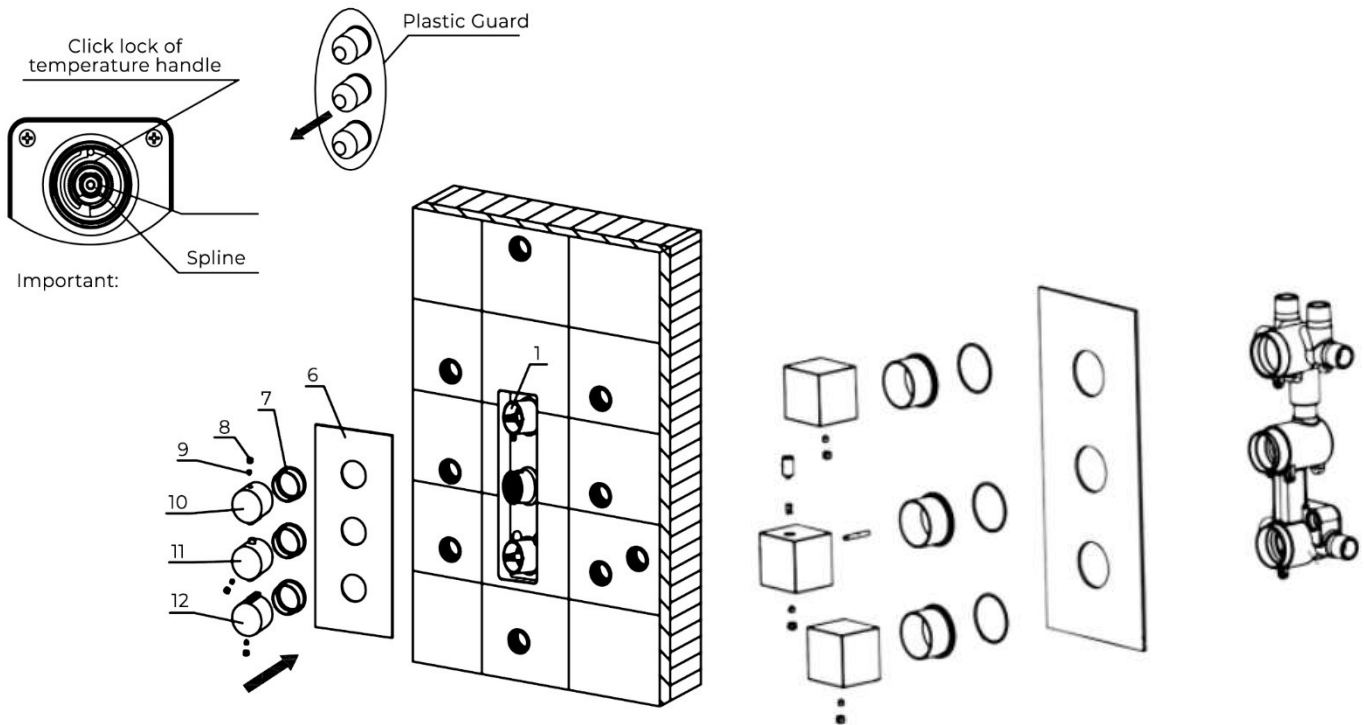
Finish The Wall Surrounding The Shower With A Thickness Of 1/2"-1-1/2".

A) Finished Wall Surface Should Not Exceed The Upper Edge Of The Installation Box.

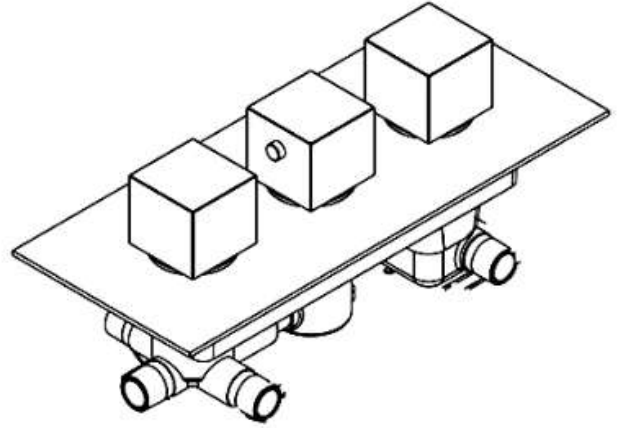
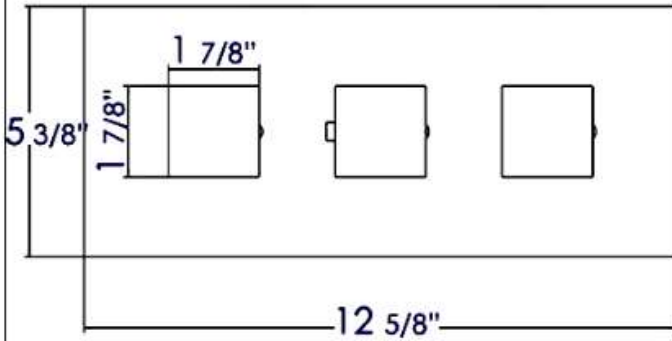
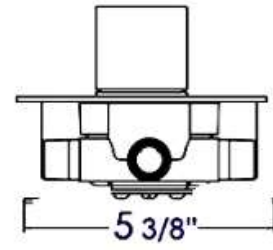
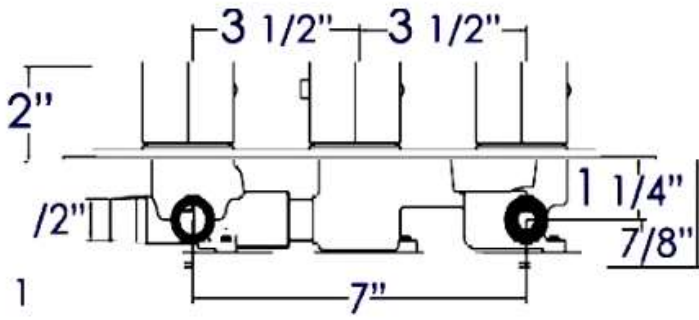
If The Tile Exceeds The Edges Of The Installation Box, Trim The Tile As Necessary To Install The Trim Plate.

B) Trim The Tile Around The Installation Box As Necessary.

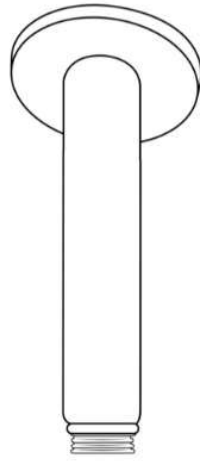
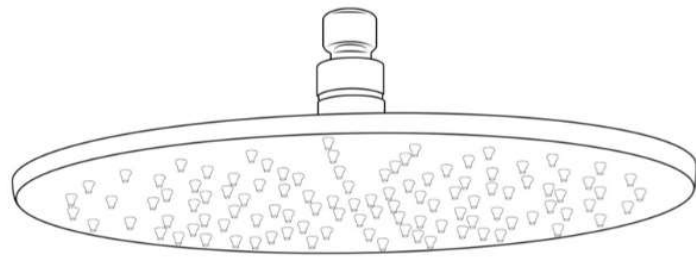
Step 9:



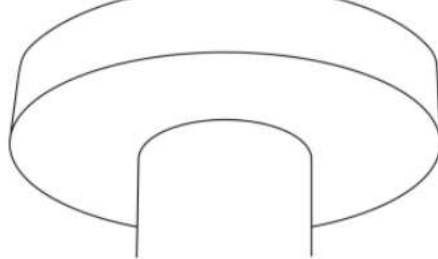
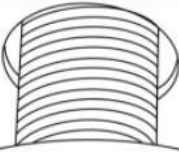
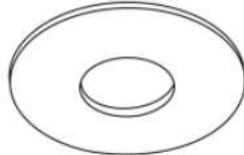
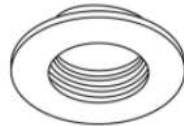
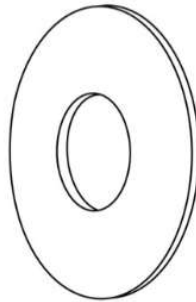
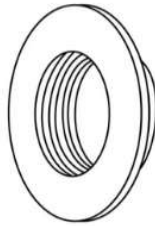
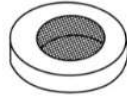
Remove The Plastic Guard And Place The Trim Plate Over The Installation Box. Install The Screws Covers, Handles And Buttons.



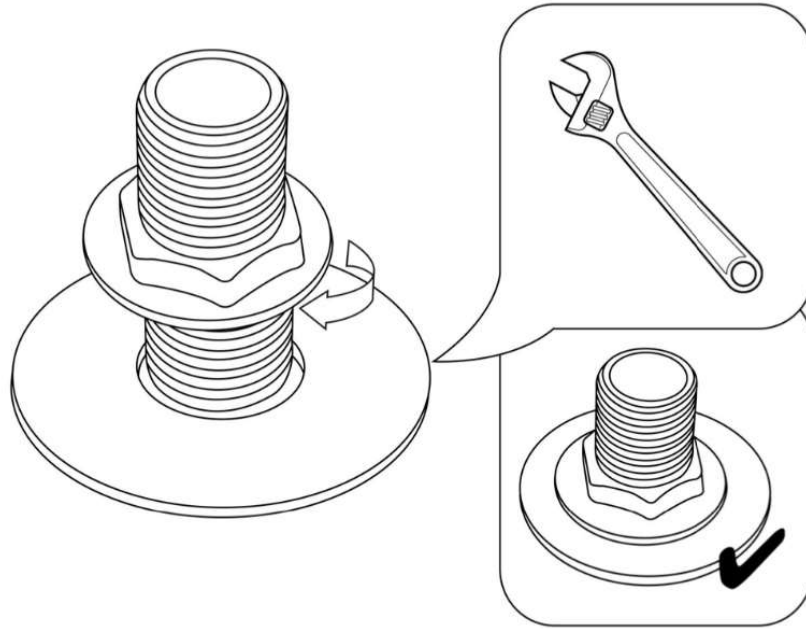
Parts included:



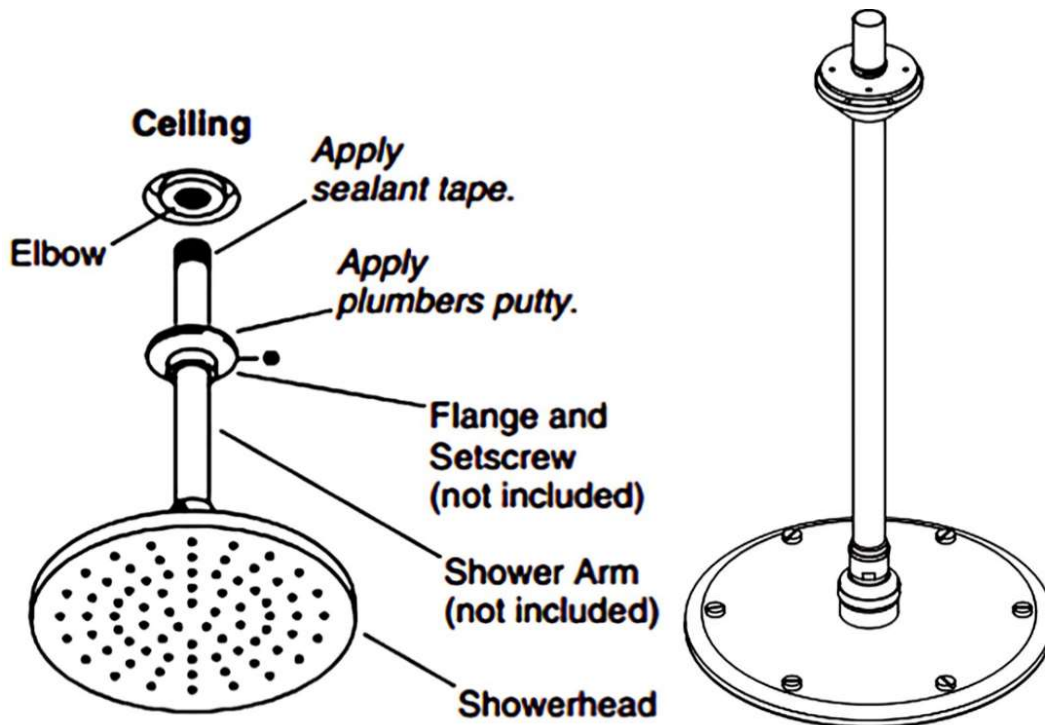
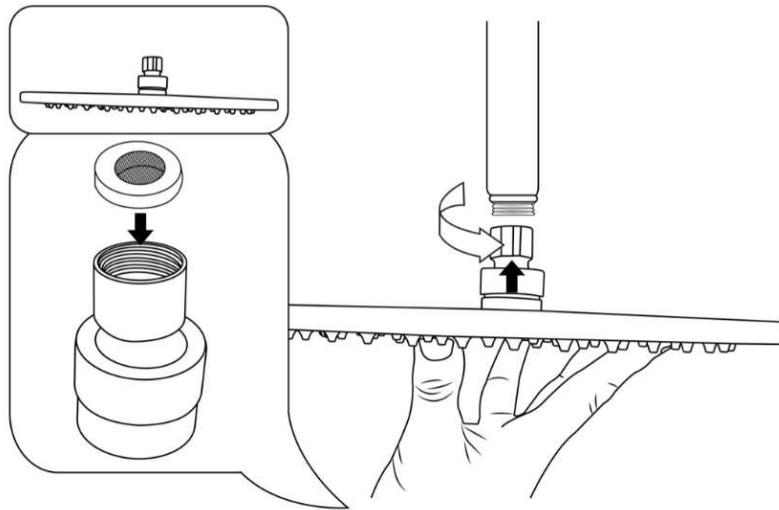
1

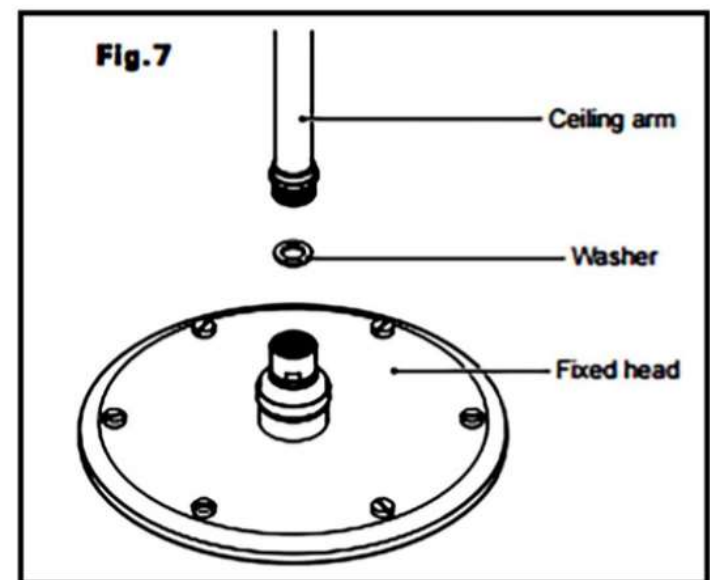
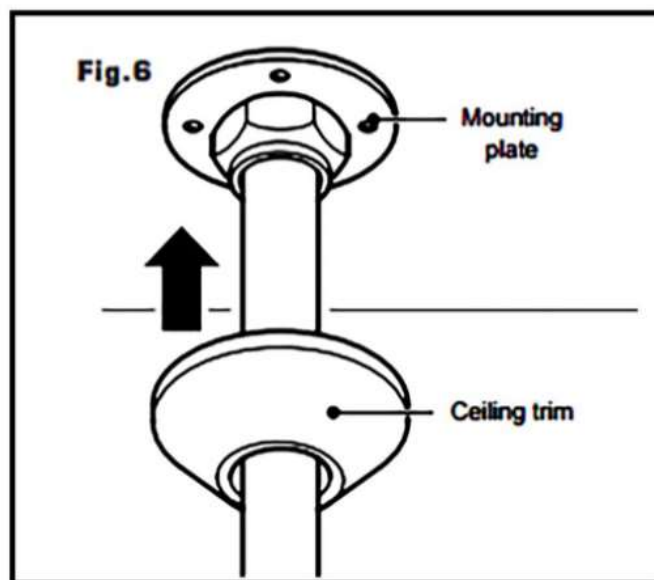
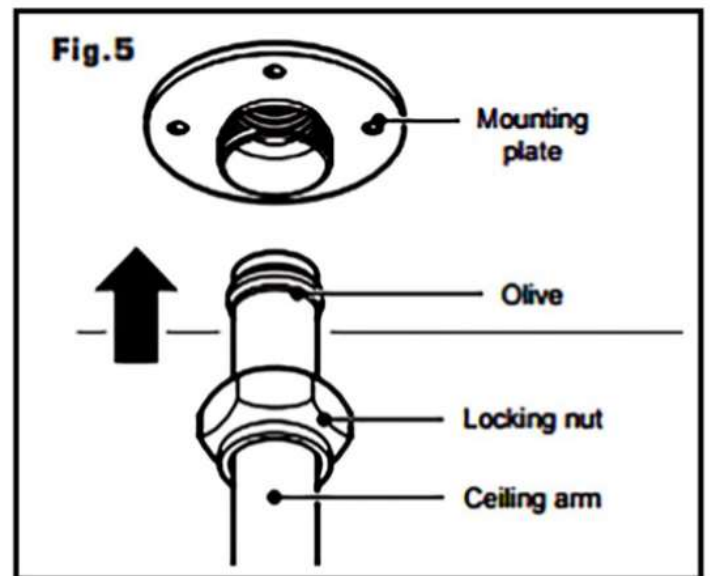
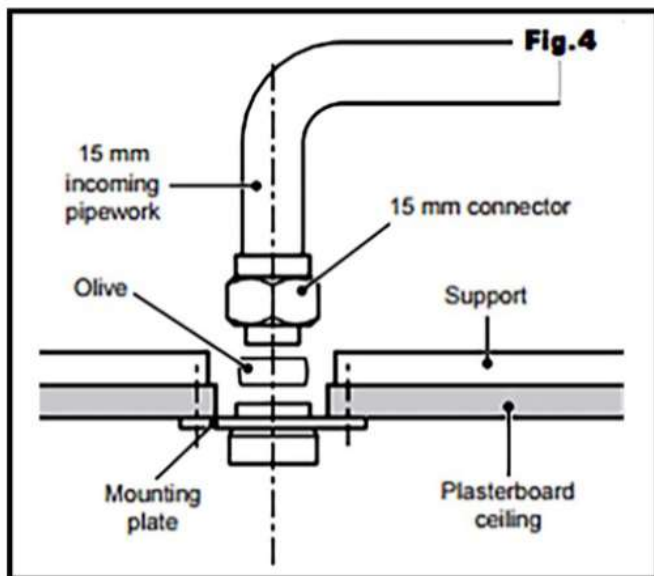
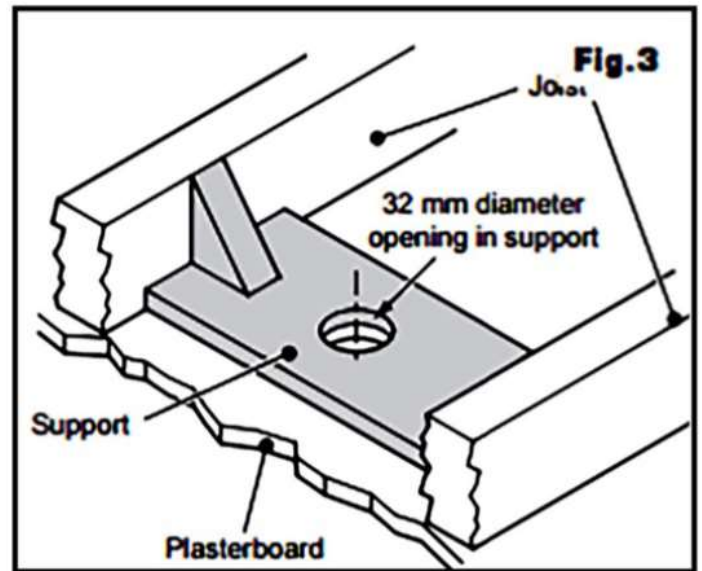
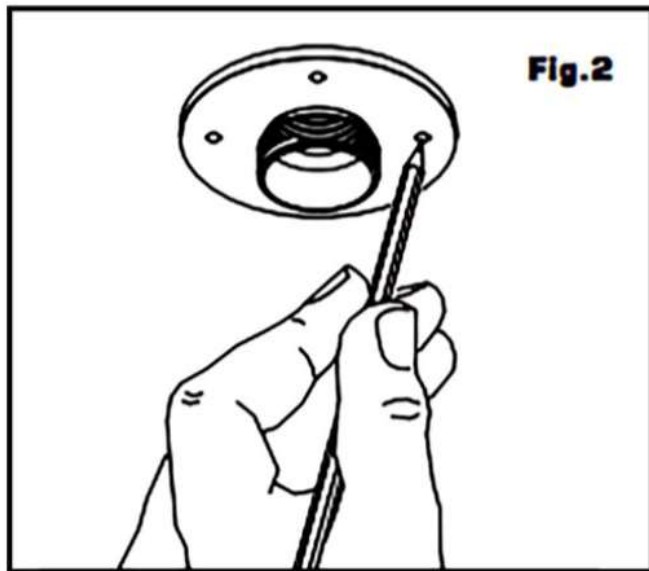


2

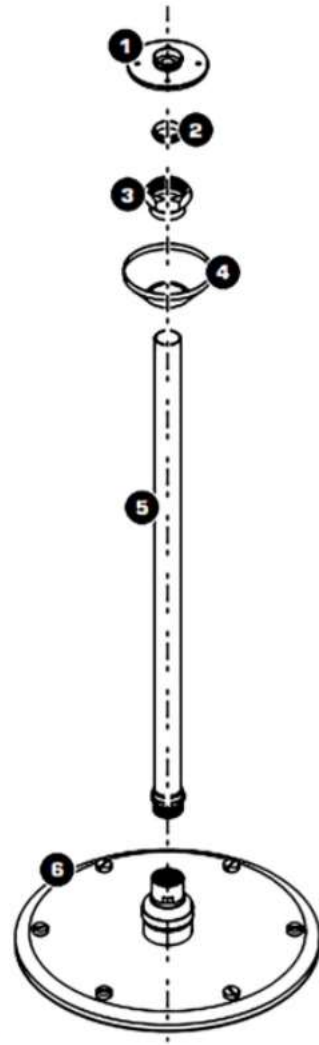


3

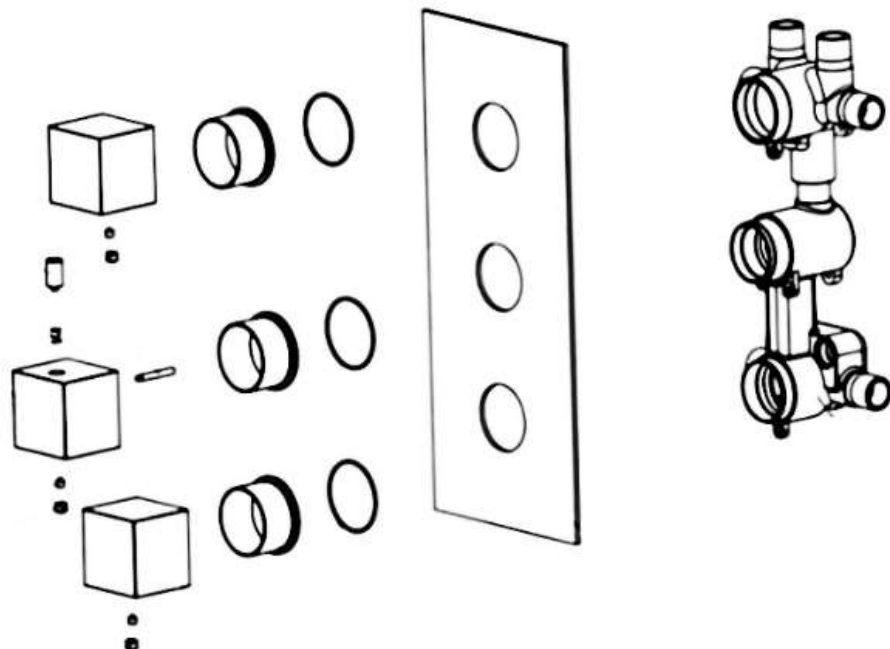


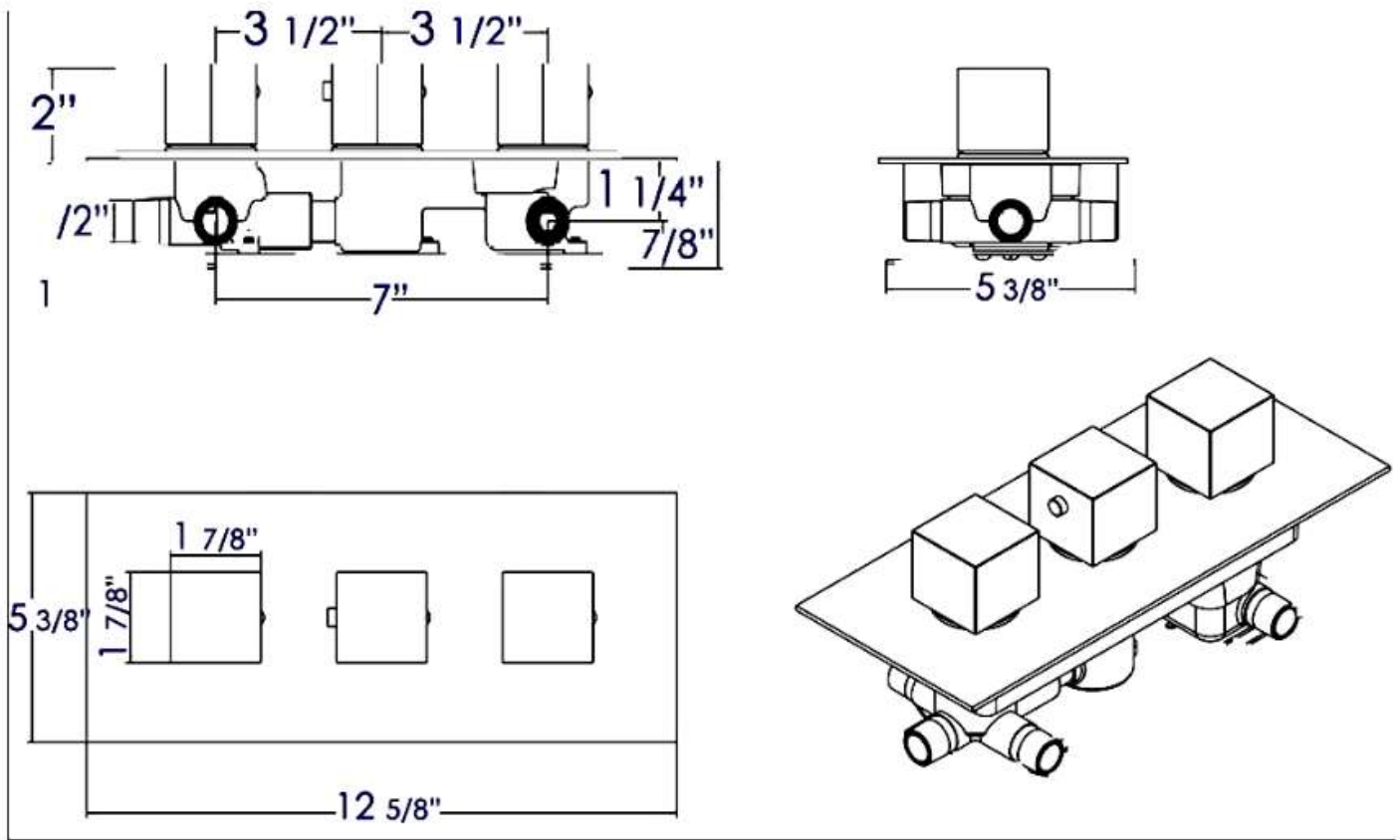


1. Ceiling arm mounting plate
2. Olive
3. Locking nut
4. Ceiling trim
5. Ceiling arm
6. Emily fixed showerhead
7. Fixing screws and wall plugs (not shown)



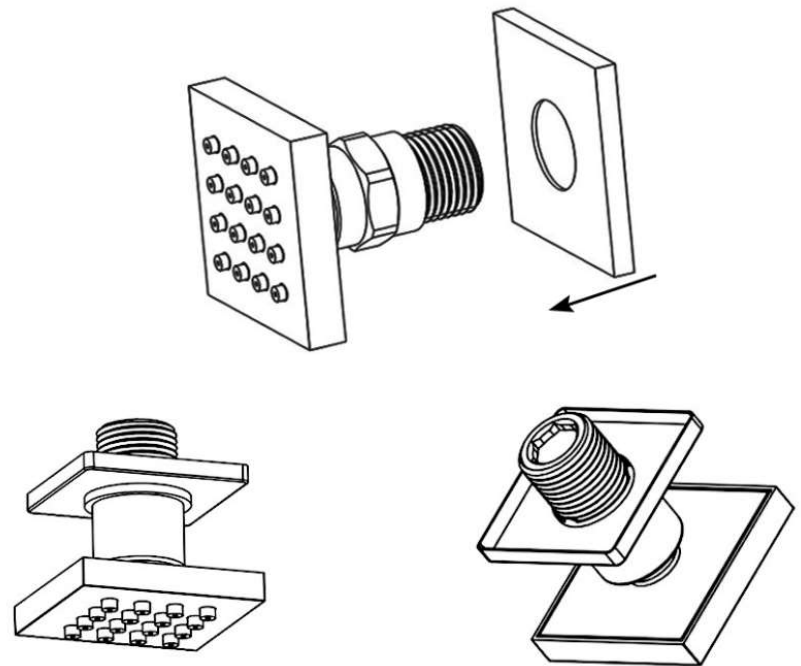
Mixer Installation



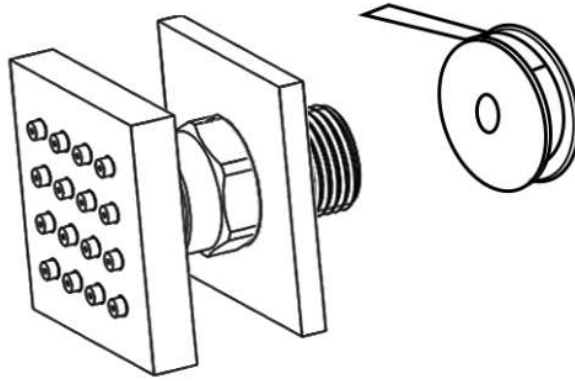


Body Jets Installation

1.



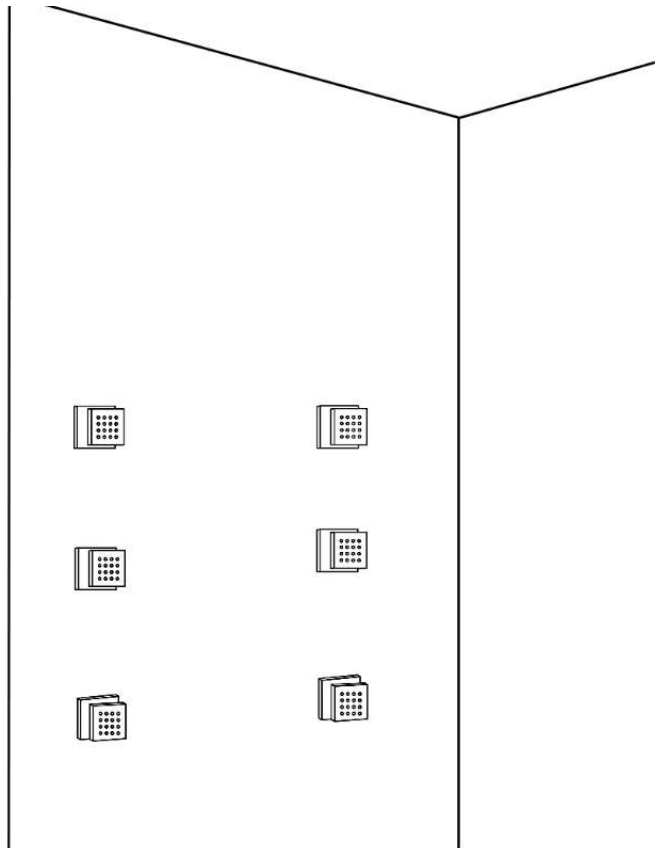
2.

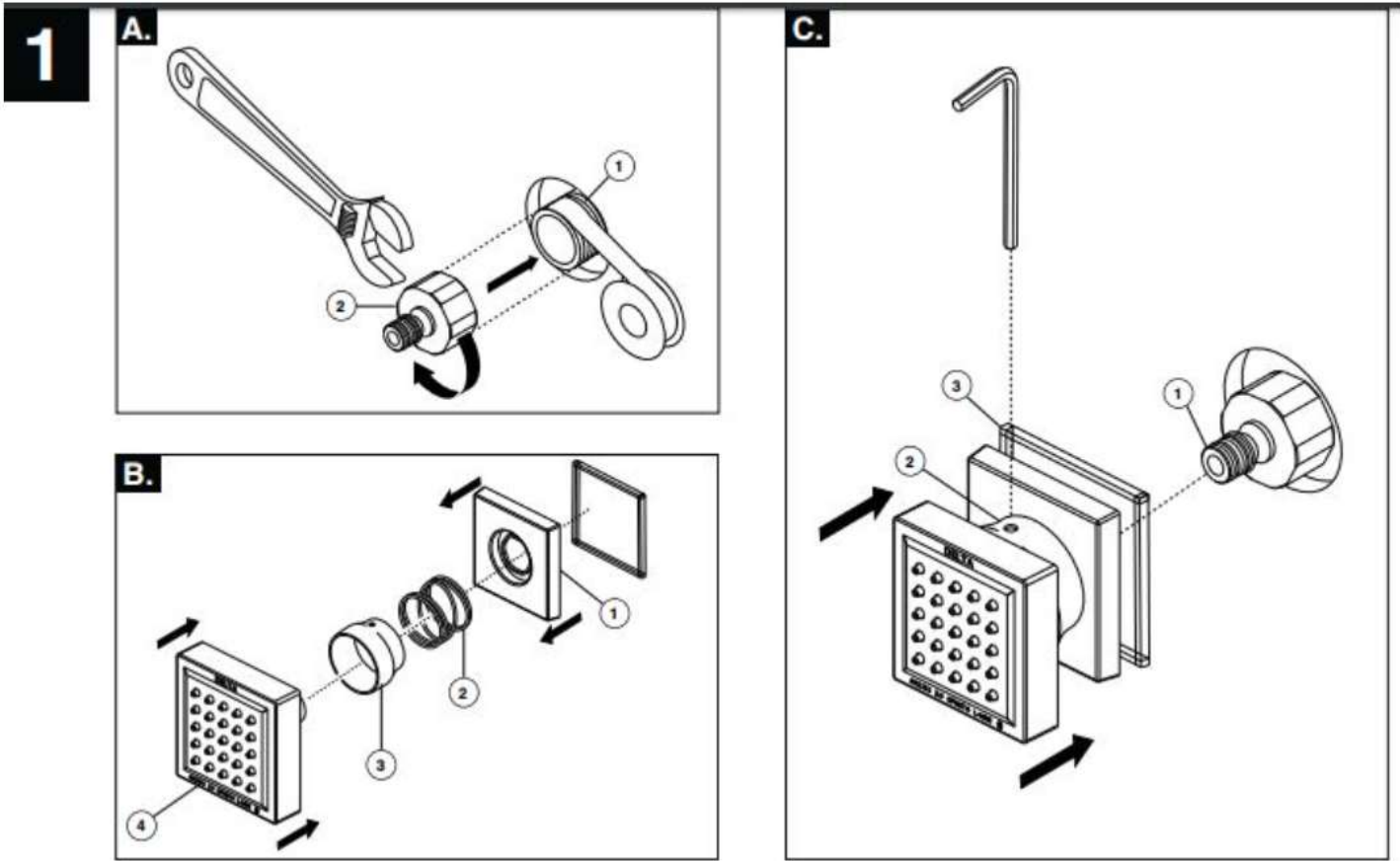


Body Jets Installation

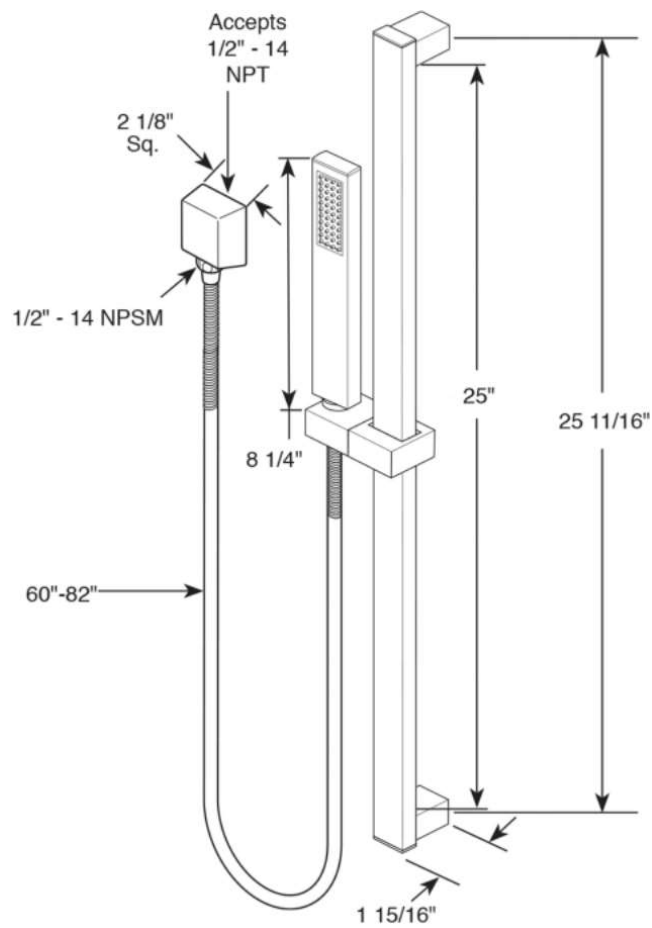
1. Set the decorative cover on the body jet.
2. Roll the raw material belt in the thread screws.
3. Use a wrench to tighten 6 body jets on the water outlet holes in a clockwise direction.

3.

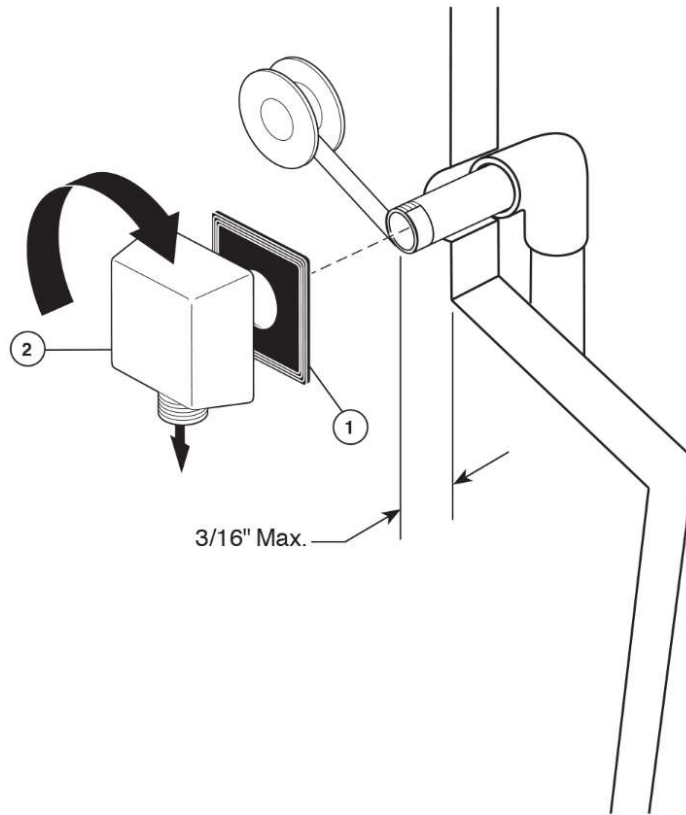




Hand-Held Shower Installation

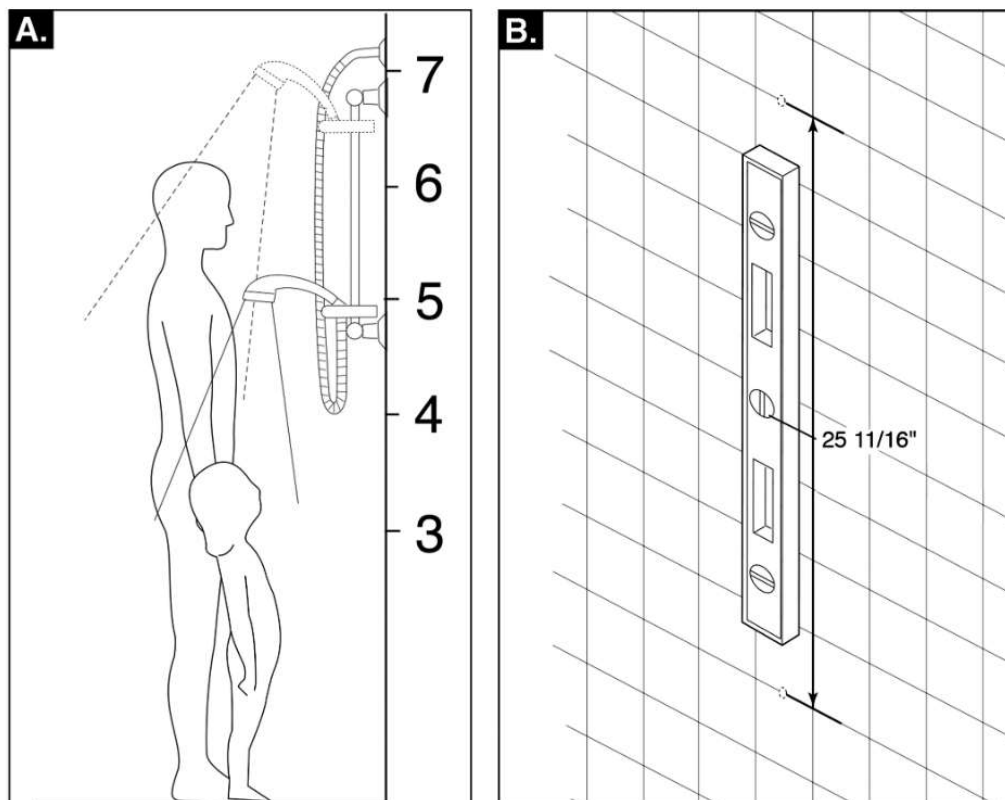


Supply Elbow Installation



Apply plumber tape to threaded ends of 1/2" (13 mm) iron pipe nipple (not supplied) and thread into shower riser elbow so that nipple extends past the finished wall no more than 3/16" (4.8 mm) and no less than 1/16" (1.6 mm). Place the supplied installation gasket (1) behind the elbow (2). Screw the supply elbow onto the nipple making sure that the supply elbow outlet is in a downward-facing position. The minimum diameter for hole is 1" (25 mm) with a maximum of 1 1/2" (38 mm).

Caution: To avoid damage to the supply elbow or hose finish during installation, wrap with a cloth or tape and use only a smooth-jawed wrench. **DO NOT OVERTIGHTEN CONNECTIONS.**

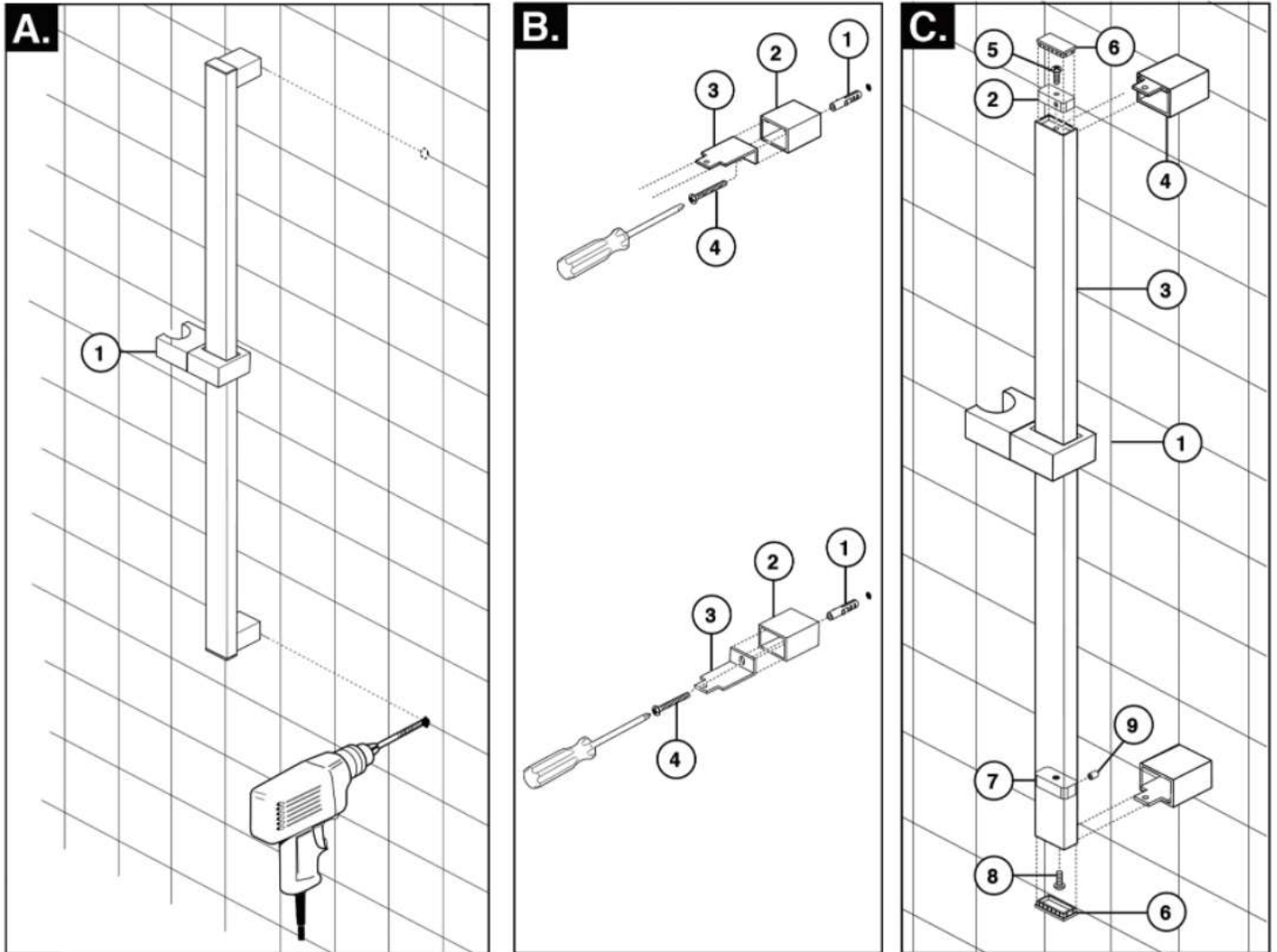


Placement Of The Slide Bar

A. Select a convenient height to place the shower rail based on your personal needs. Be sure to leave enough slack for the hose of the hand shower to operate freely when the hand shower is placed in the extreme up or down positions.

Note: If possible it is recommended that the slide bar brackets be secured into the wall studs. For ceramic tile installation, drill holes in grout if possible.

B. Mark the place for drilling the hole for the lower post. Mark using a level, in a vertical line from the lower hole, the placement of the upper post hole. Distance approximately 25 11/16" (653 mm).



Wall Bar Installation

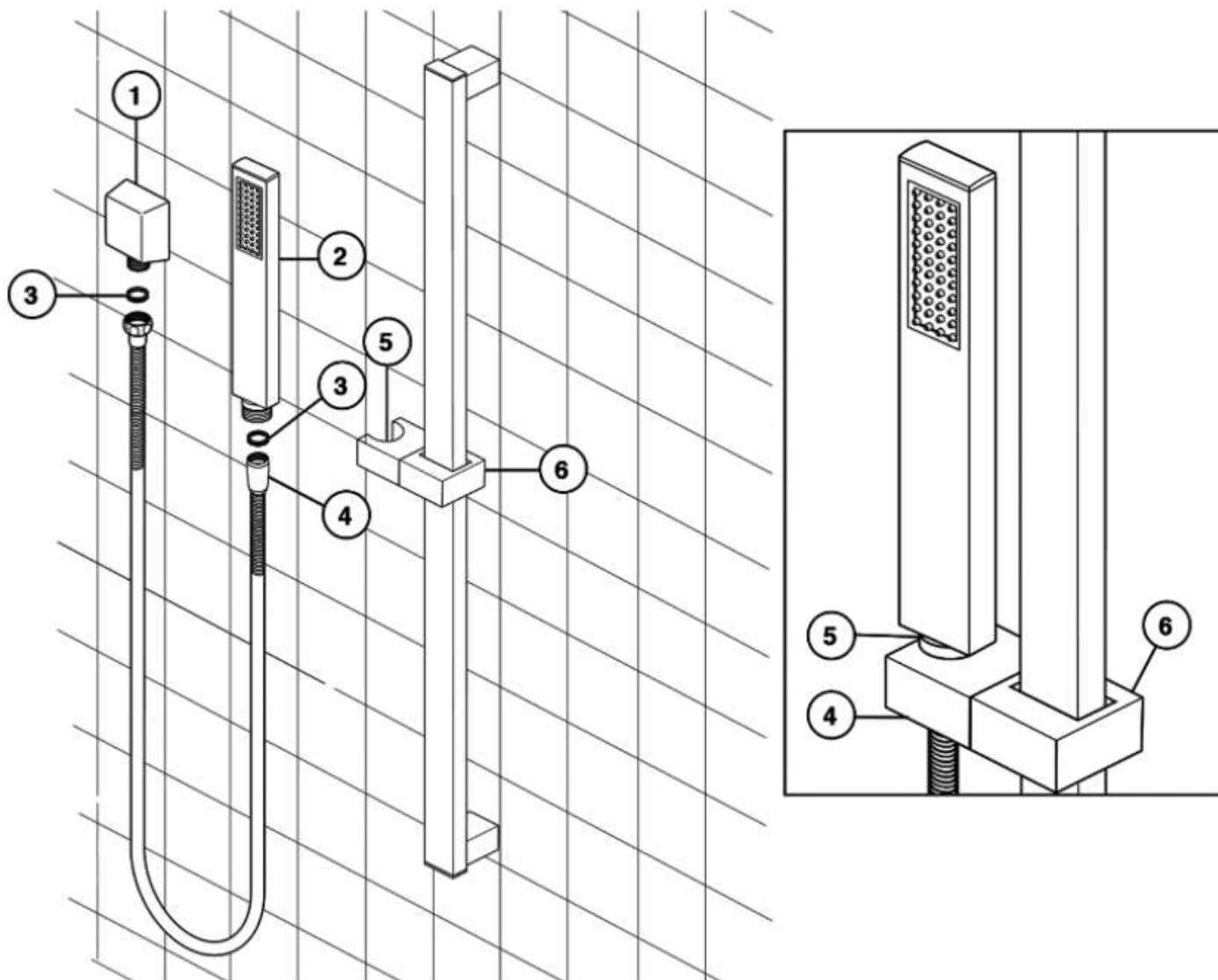
A. Note: Hole size will be determined by your use of just the screw or anchor and screw for installation. Drill hole for mounting of the bottom post. Start with a smaller drill bit size, 1/8" is recommended, and drill hole. If you hit a wall stud, go to the next step. If you do not hit a wall stud, change to a drill bit size suitable for the anchors, 1/4" is recommended, and re-drill hole.

Anchors are for use on drywall or tile. For fiberglass, acrylic and flat plastic surfaces, use toggle bolts (not included).

Before drilling the top mounting hole, it is recommended that you place the assembled slide bar and post assembly (1) on its side next to the hole locations you have marked. Make sure posts are pressed fully onto the bar. Align the centre of the bottom post with bottom hole that was just drilled and make sure centre of top post aligns with the mark for top hole. If not, re-mark the top hole location. If it aligns, drill a top hole in location as marked.

B. Insert anchors (1) into drilled holes. Slide covers (2) over brackets (3), and insert screws (4) into bracket/cover assembly. Secure assembly to wall with screws.

C. Slide the slide mechanism (1) and elbow (2) onto the wall bar (3). Slide wall bar over bracket tabs (4) and secure the wall bar unit with screws (5) provided. Install caps (6) into ends of wallbar. Lower elbow (7) & screw (8) was pre-installed prior to shipping, tighten screw (9) if you find it is sliding inside the bar.

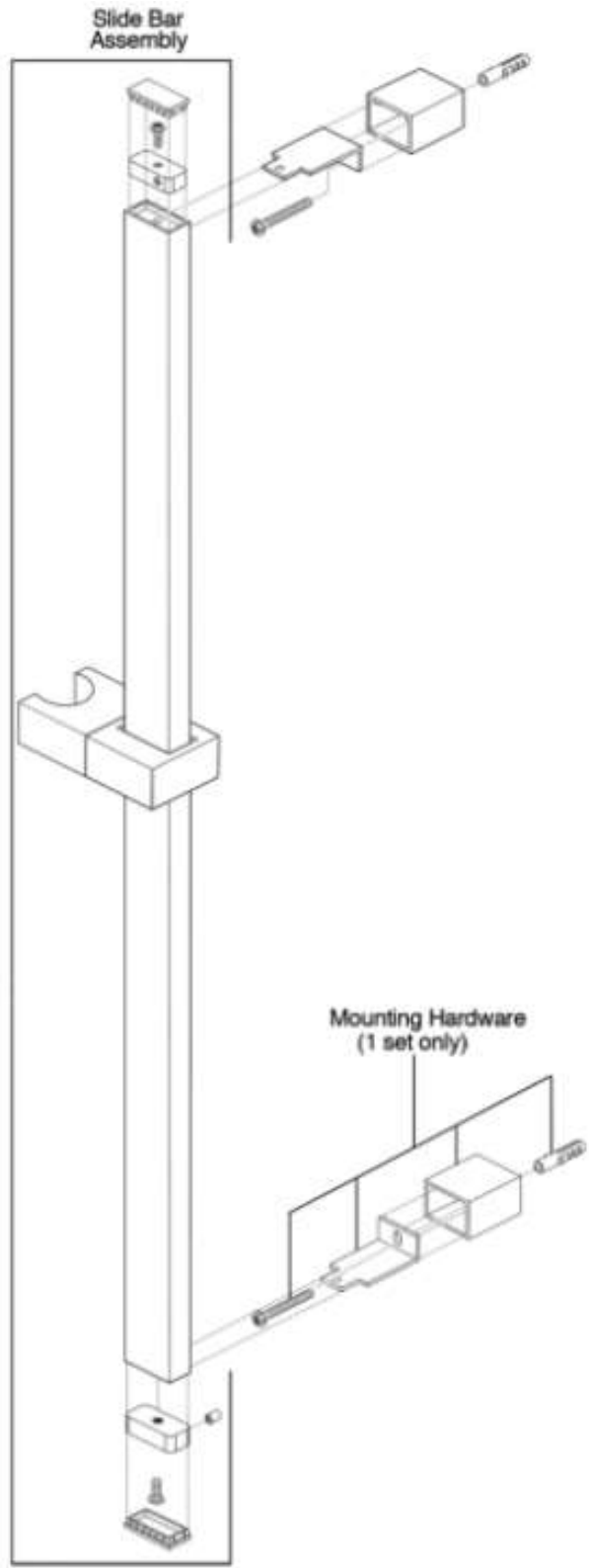
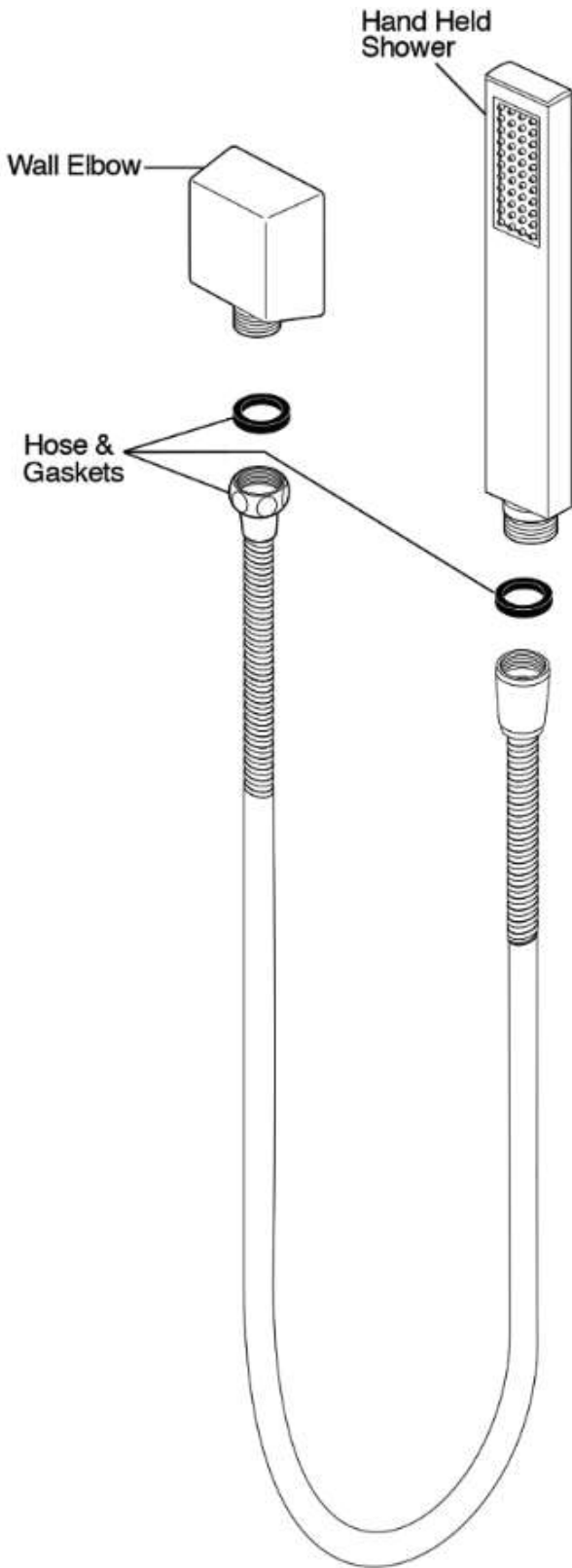


Installation Of The Shower Set

Connect the shower hose to the wall outlet (1) and the hand held piece (2), ensuring that the internal gaskets (3) are present in the shower hose nuts. Normal 1/2" rubber gaskets can be used.

Place the conical nut of the hose (4) that is connected to the hand held piece, in the slide bar holder (5) and turn it to the desired position.

To slide the mechanism up or down, push in on the button (6) of the mechanism and slide it on the bar.



Cleaning and Care

Care should be given to the cleaning of this product. Although its finish is extremely durable, it can be damaged by harsh abrasives or polish. To clean, simply wipe gently with a damp cloth and blot dry with a soft towel.

