

How To Install Fontana Verona Ceiling Mounted Triple Mixer Bathroom Shower Set | FS9767

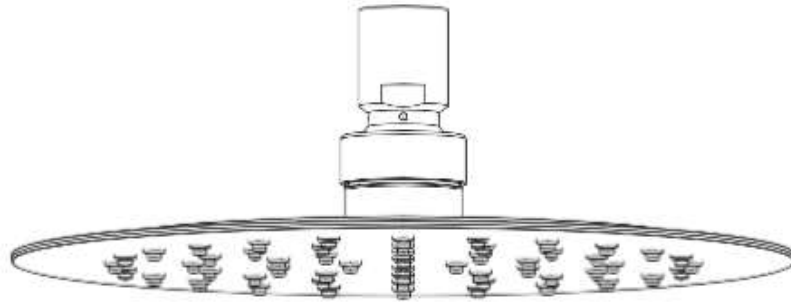


Easy step by step Installation Instructions for Rose Gold Round Shower Set

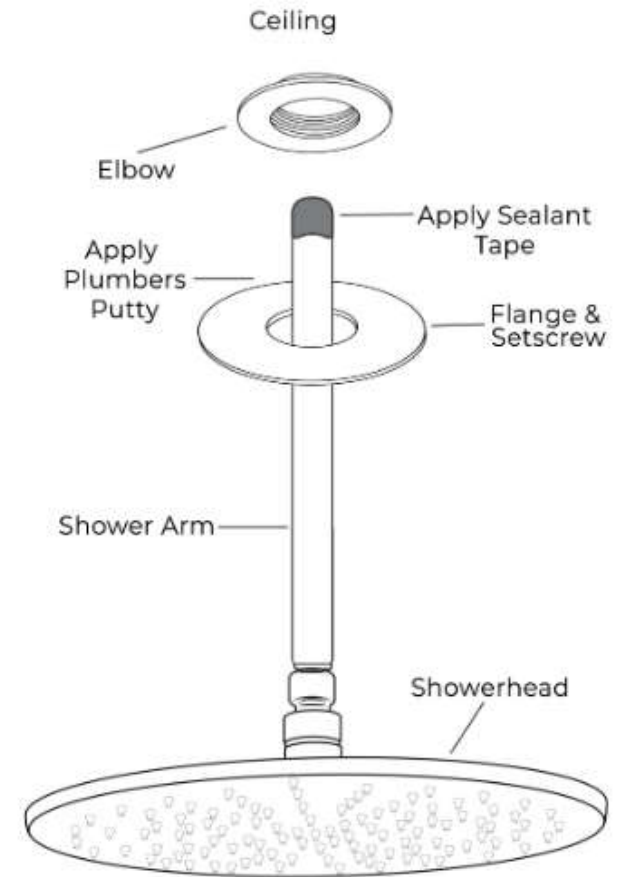
- Before you begin, please read the installation instructions below. Observe all local building and safety codes.
- Unpack and inspect the products for any shipping damages. If you find damages, do not install.
- Please note all products must be installed by a professional and certified plumber otherwise warranty might be voided.

Shower Head Installation Instructions

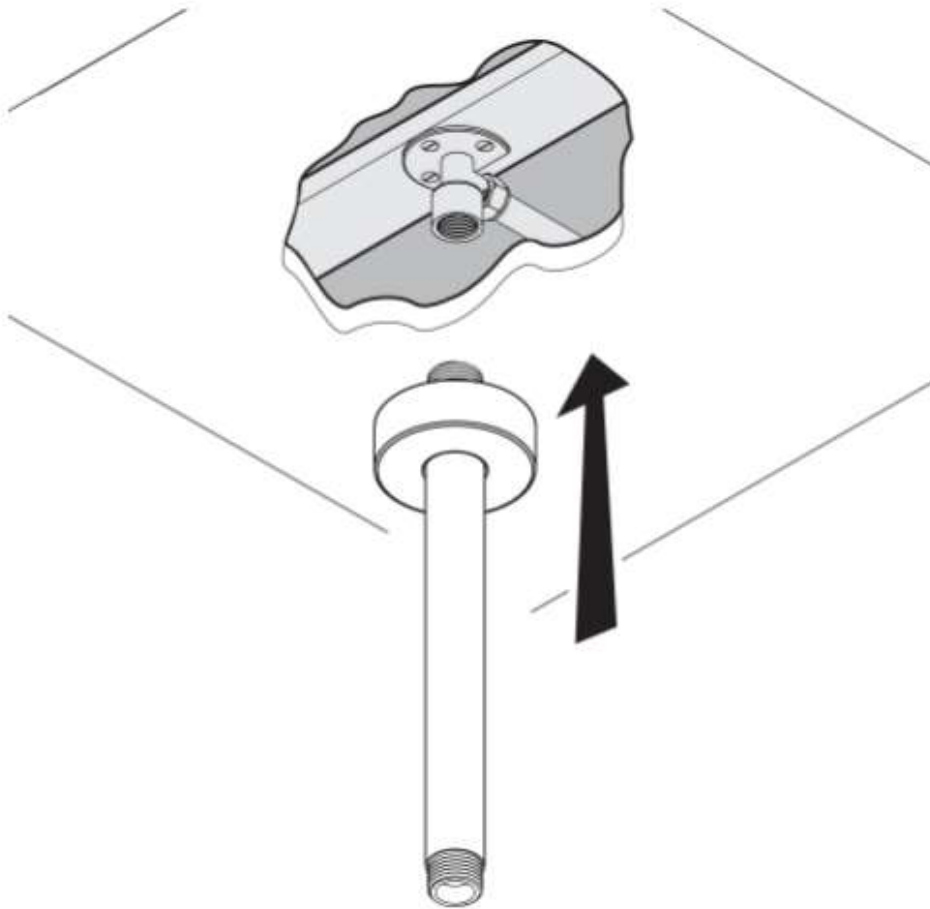
Step 1:



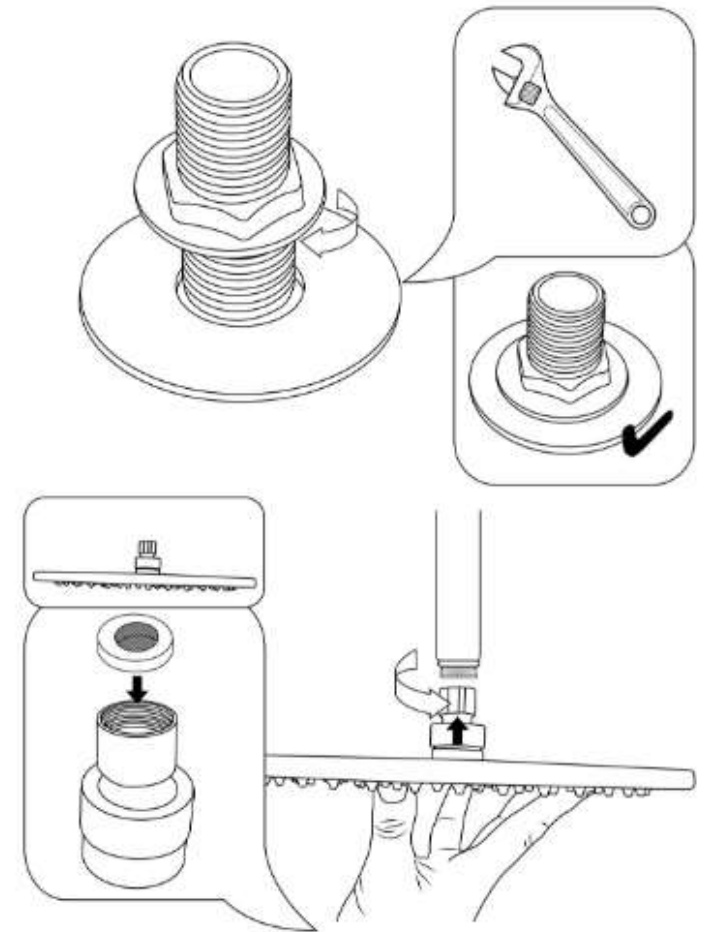
Step 2:



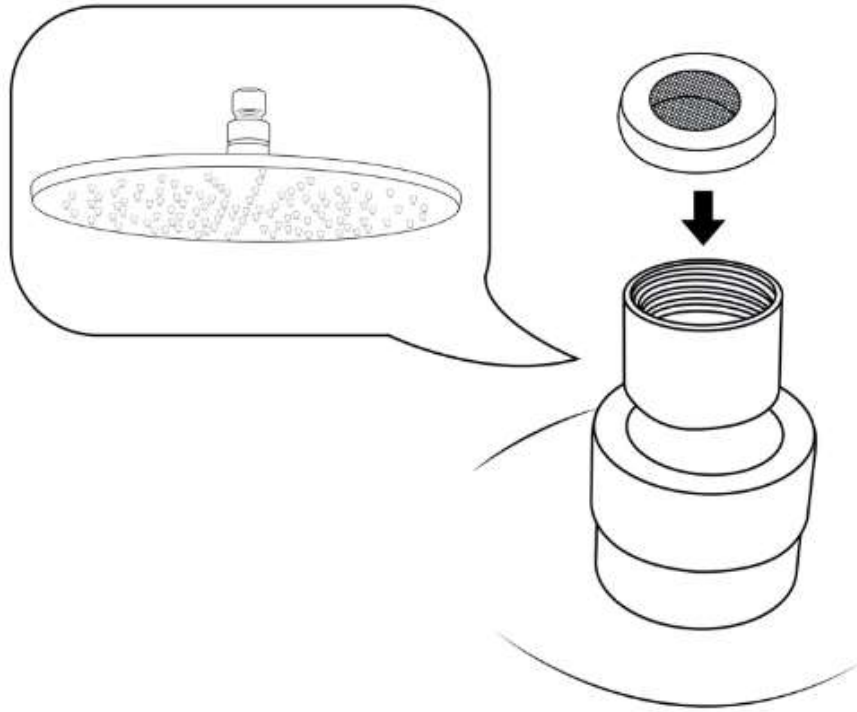
Step 3:



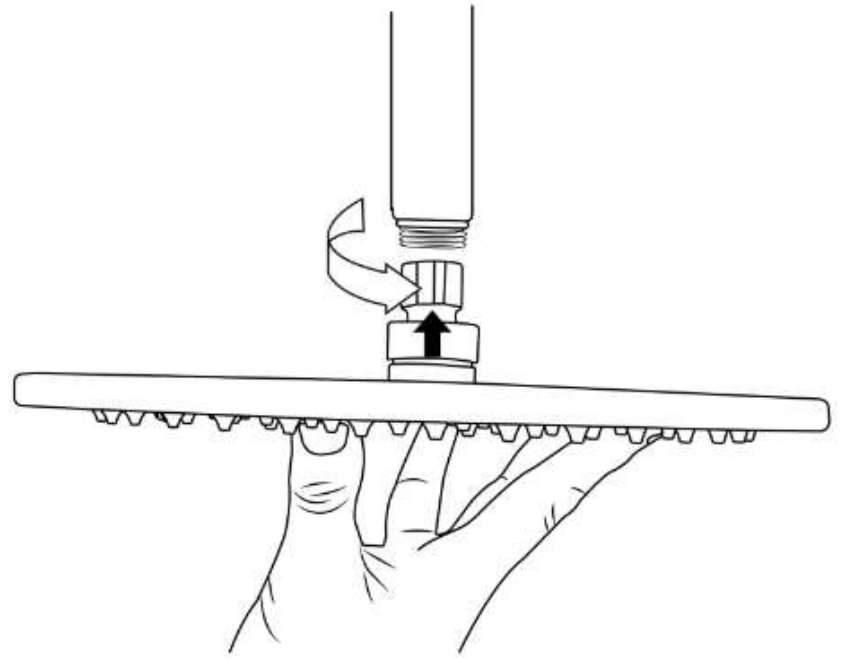
Step 4:



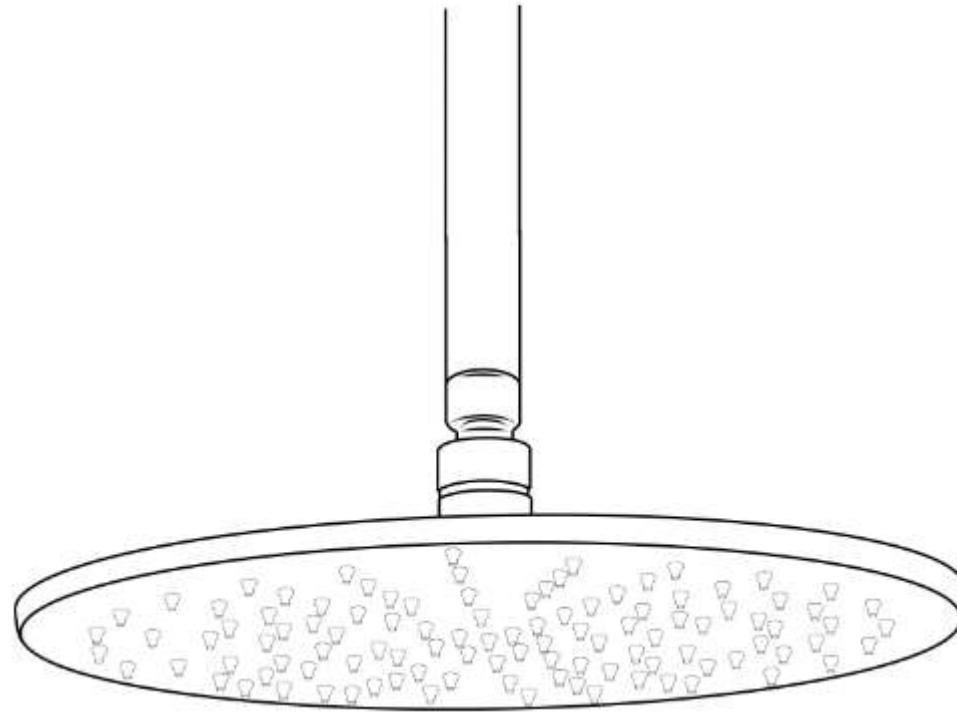
Step 5:



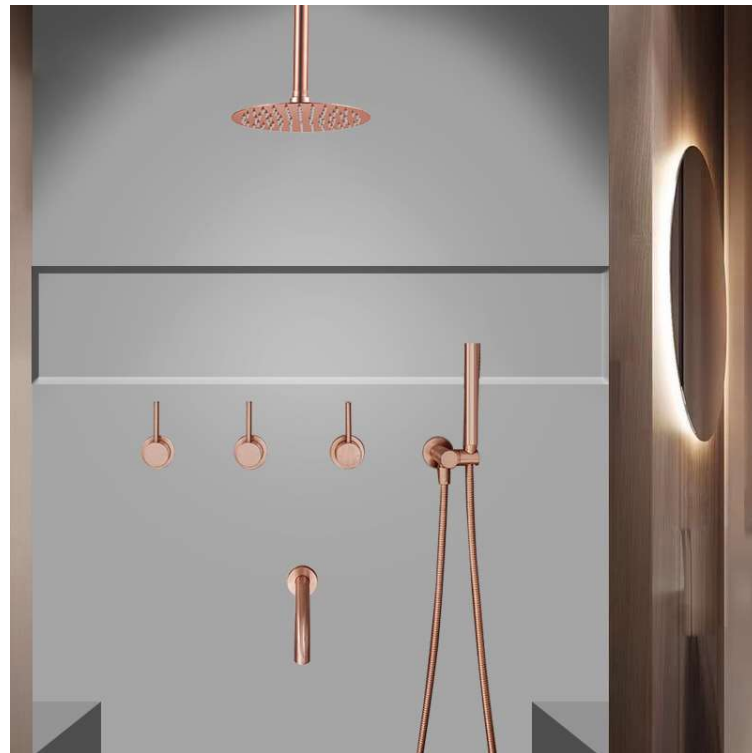
Step 6:



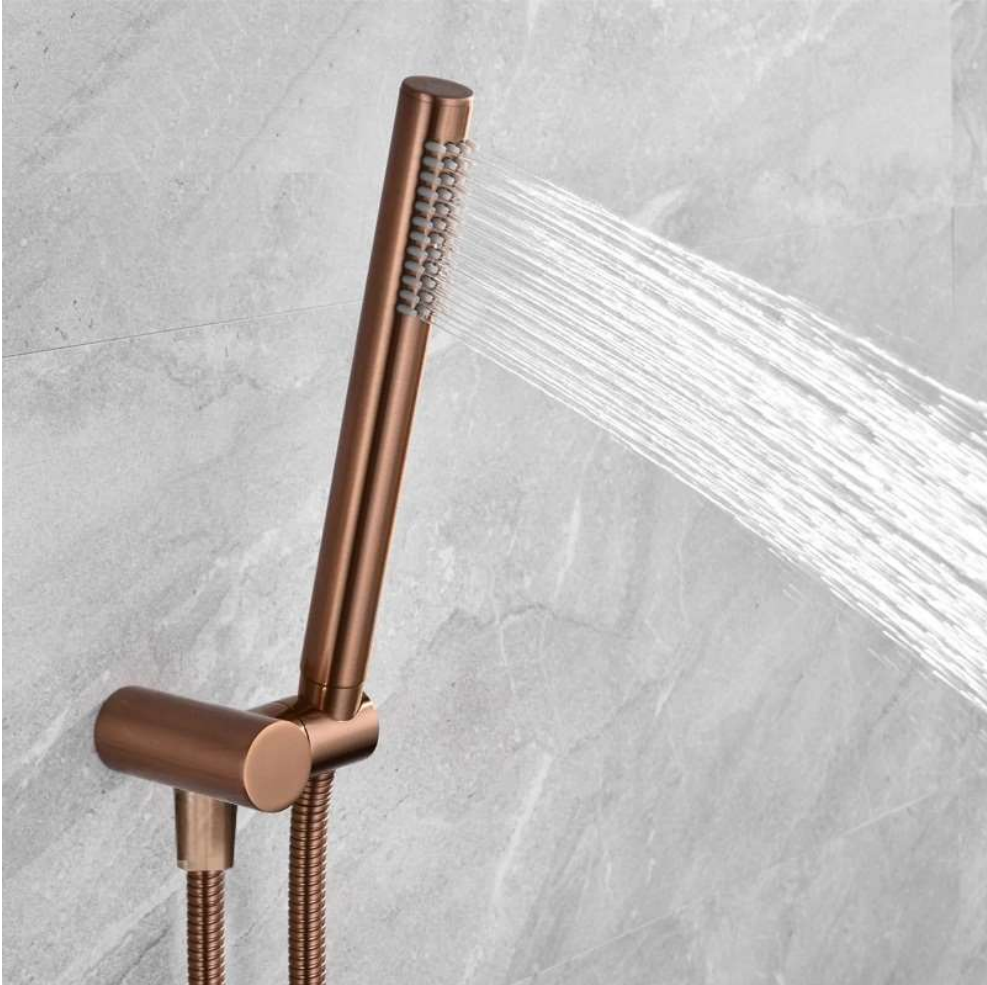
Step 7:



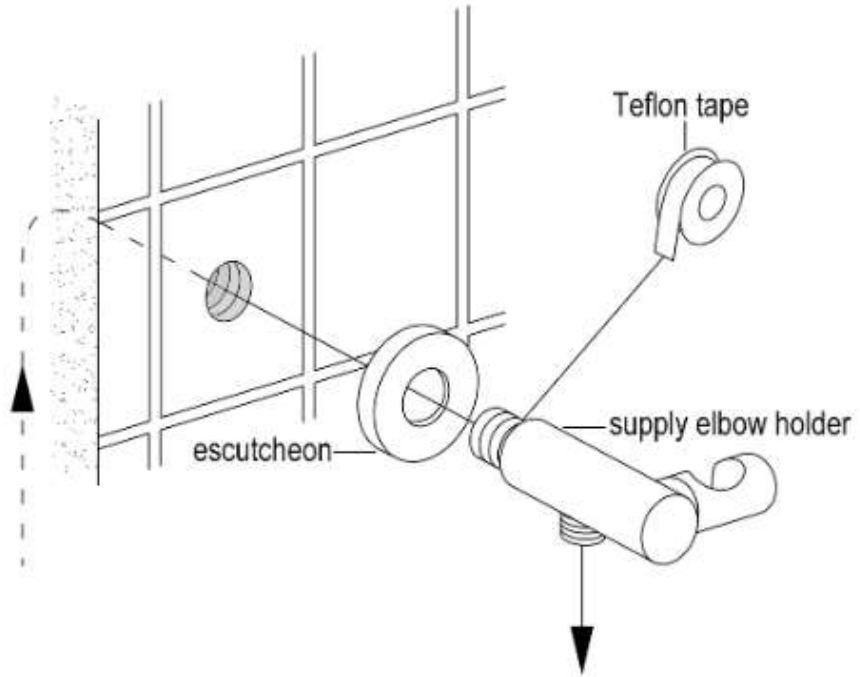
1. Remove the old shower head by using the channel lock pliers or monkey wrench. Be sure to turn the pliers counter-clockwise to loosen the old shower head. (Tip: Right is tight, left is loose.)
2. Remove the shower arm by turning it by hand counter-clockwise. Make sure you remember to apply putty or tape to the new arm. (Tip: Using teflon tape is less messy)
3. Apply teflon tape to the threading of the shower arm by wrapping it around the threads, go all the way around 3 or 4 times depending on the quality of the Teflon tape.
4. Install the new shower arm by going clockwise by hand until it is tight, then put painters tape around the arm and tighten the arm with the channel lock or monkey wrench.
5. Place Teflon tape around the threads on the shower head and then place the shower head onto the shower arm by turning the shower head clockwise after the shower arm is already in the wall.



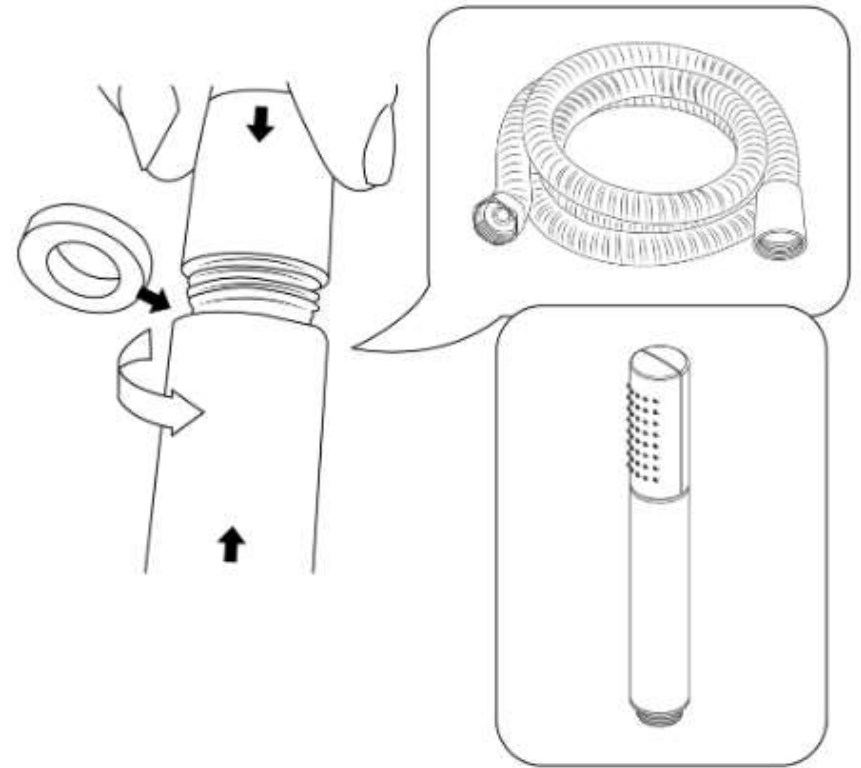
Hand Held Shower Installation Instructions



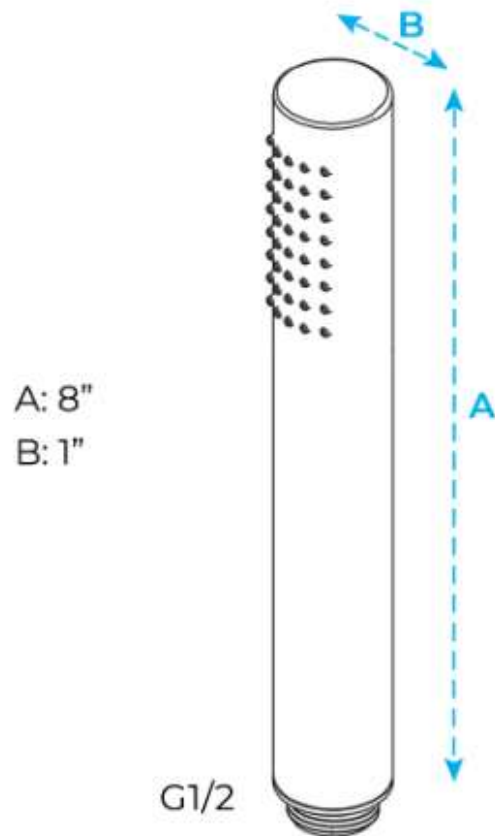
Step 1:



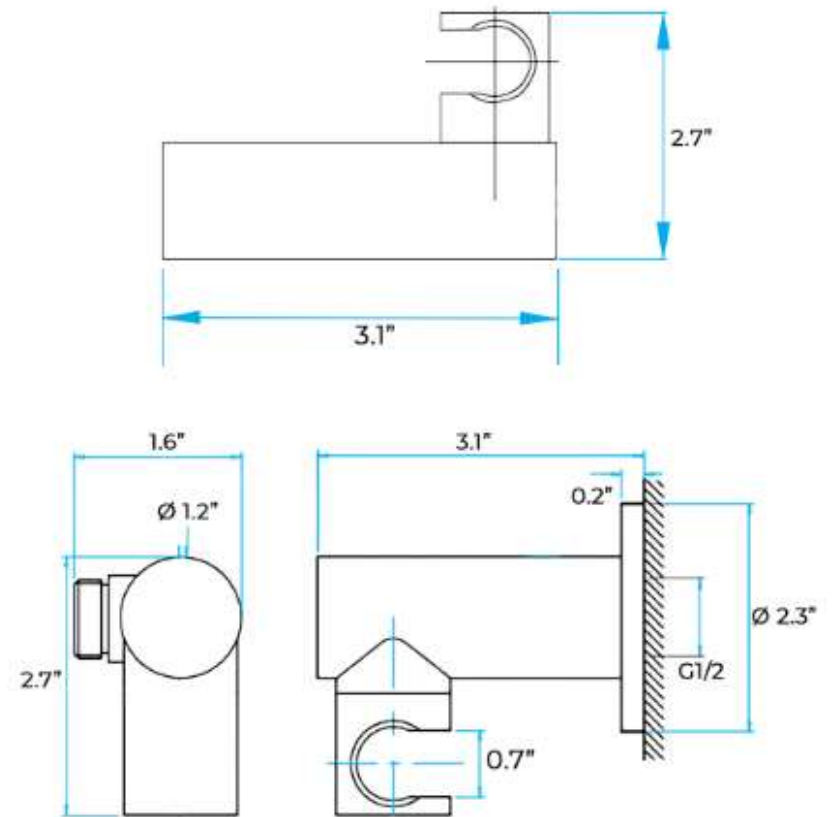
Step 2:



Hand Shower Size:



Holder Size:



Hand Shower Outlet Installation

- Complete the outlet pipework ensuring it ends in an appropriate 15mm x 1/2" BSP female thread elbow.

Note: This fitting is not supplied as variations in installations require the selection of a suitable solder or compression fitting.

- Install the 'Wall Outlet', thread long male 1/2" BSP into the appropriate female fitting using PTFE tape to give a watertight joint.

Note: The thread can be cut to size if required. Make sure that all debris is removed from the connector and the section that has been cut is dressed correctly, before installation.

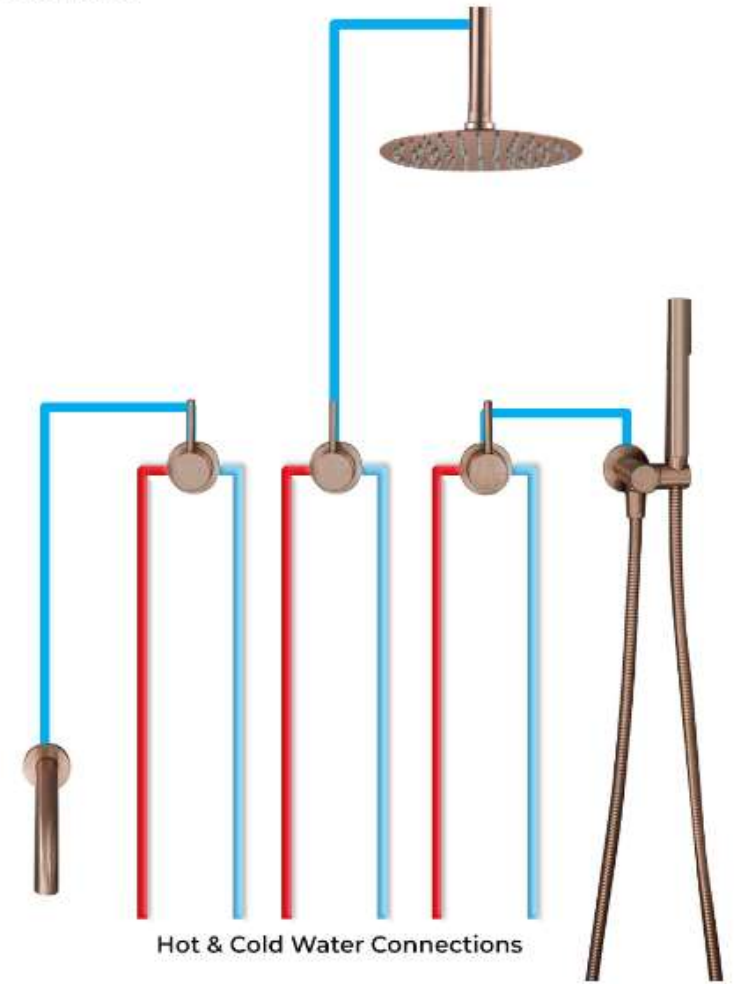
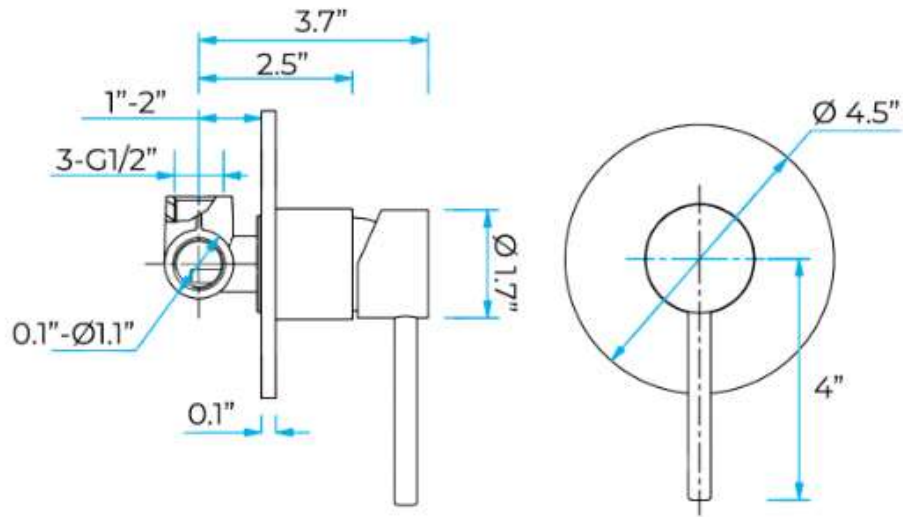




Shower Thermostatic Mixer Installation Instructions

Step 1:

Water Connections







Fontana Verona Solid Brass Ceiling Mounted Bathroom Shower Set

It is our goal to provide the customer with not only excellent products but also leading lifestyle. This has an elegant design and elevates the appeal of your decor made from the highest quality and for great tastes. It comes super seal technology inside, capable of delivering superior performance with solid construction for long durability that will upgrade your bathroom with a modern and cool look for a long period of time. Give your bathroom an elegant glance with shower set. This is one of the trendiest finishes across decor styles in the bathroom. When it comes to newbathroom upgrades, FontanaShowers is offering shape, finishes, and styles that you've looking for.

Features:

- **Brand Name:** FontanaShowers
- **Model Number:** FS9767
- **Style:** Contemporary
- **Type:** Fixed Support Type
- **Number of Handles:** Dual Handle
- **Size:** >15.75 inches (400mm)
- **Surface Finish:** Rose Gold
- **Top Shower Head:** Solid Brass
- **Dimension:** 8"
- **Shower Set Material:** Solid Brass
- **Valve Core Material:** Ceramic
- **Spool:** Ceramic cartridge
- **Surface Treatment:** Electroplated
- **Hot And Cold:** Yes



The installations & illustrations for this product are for informational purposes only and do not represent a specific model. Configurations may vary with the model