

Fontana Bluetooth Shower Head 3 Functions Thermostatic Mixer Shower Set Installation Instruction

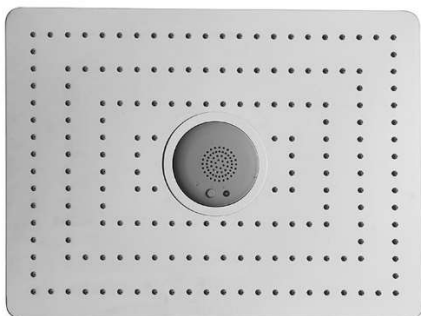


Before you begin, please read the installation instructions below.

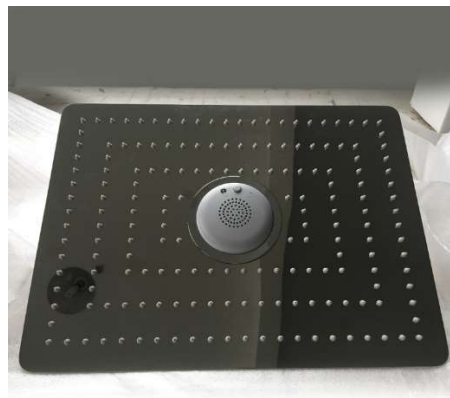
- Observe all local building and safety codes.
- Unpack and inspect the product for any shipping damages. If you find damages, do not install.
- Please note all showers must be installed by a professional and certified plumber otherwise warranty might be voided.

Shower Head Installation Instructions

Step 1:



Step 2:



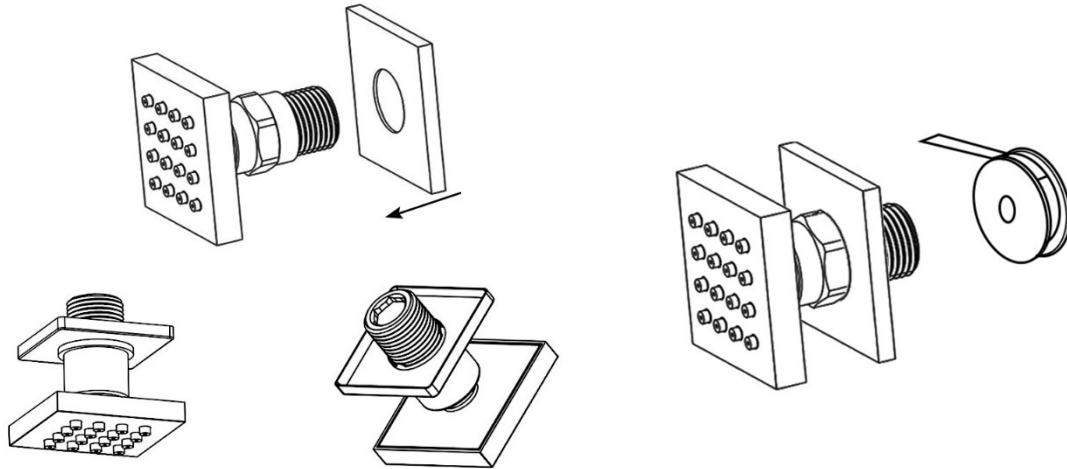
Step 3:



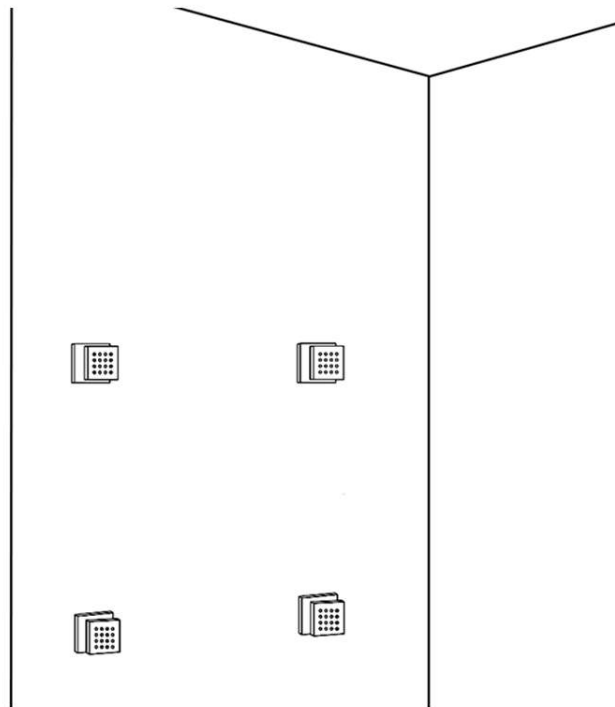
Valve Installation Instructions



Body Jets Installation Instructions



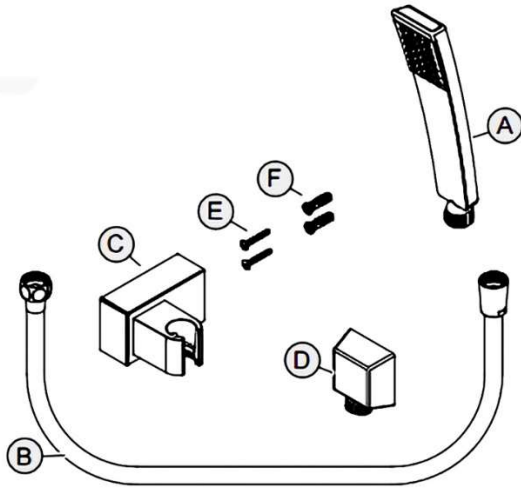
Set the decorative cover on the body jet. Roll the raw material belt in the thread screws.



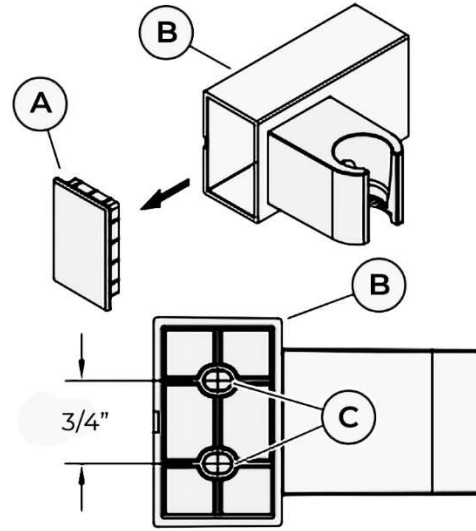
Use a wrench to tighten 6 body jets on the water outlet holes in a clockwise direction.

Hand-Held Shower Installation Instructions

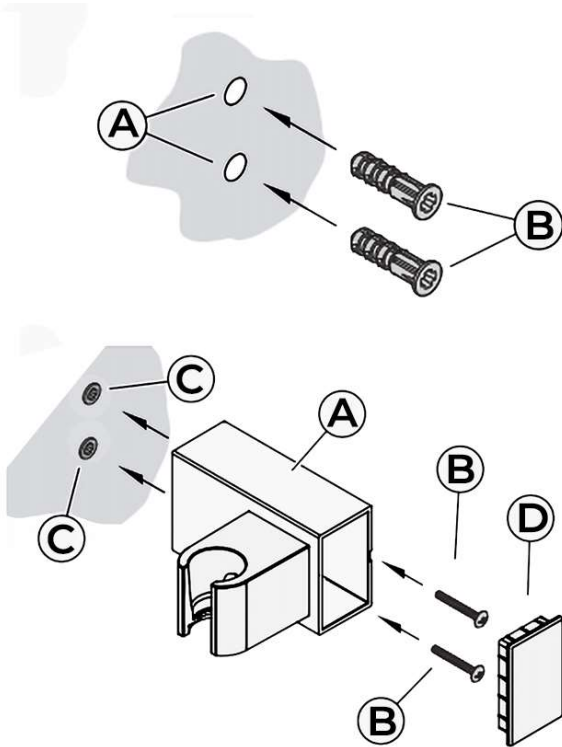
Step 1:



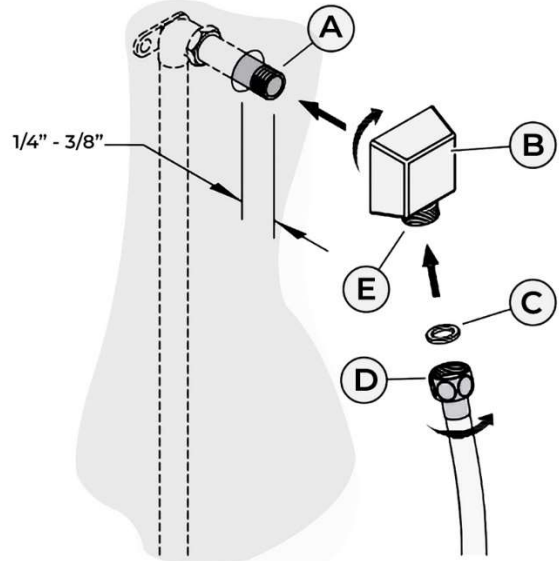
Step 2:



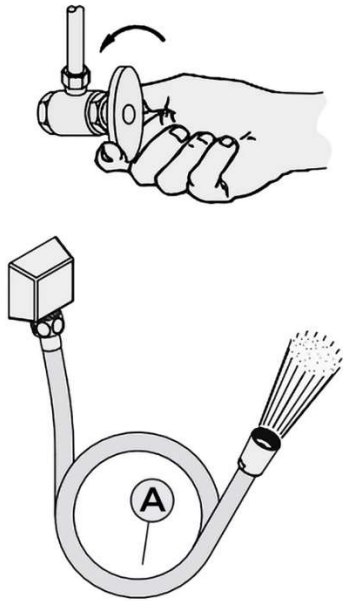
Step 3 & 4:



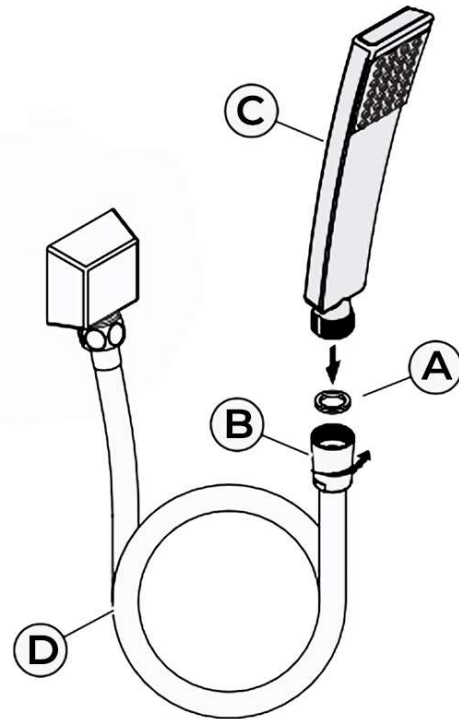
Step 5:



Step 6 & 7:



Step 8:



1. Gather All Parts

2. Hole Location For Wall Mount

Remove Front Cover (A) from Wall Mount (B). Use Wall Mount Screw Holes (C) to place the desired location. Using a punch or awl, tap the screw hole locations. Holes must be vertically aligned.

3. Anchor Installation

Drill two 1/4" dia. Holes (A). If installing into a studs drill two 1/8" dia. holes and do not use Anchors (B). Insert Anchors (B) into Holes (A) and tap flush with the wall.

4. Wall Mount Installation

Place Wall Mount (A) into wall and inset Mounting Screws (B) through Wall Mount Holes (C) and tighten until Wall Mount (A) is flush with the wall. Do Not Over Tighten! Insert Front Cover (D) into Wall Mount (A)

5. Drop Elbow & Hose Installation

Apply PTFE plumbers tape on both ends of Pipe Nipple (A) (not included). Screw Pipe Nipple (A) into the elbow inside the wall. The Pipe Nipple (A) is to project 1/4" - 3/4" from the finished wall. Screw Drop Elbow (B) onto Pipe Nipple (A) and tighten until Drop Elbow (B) is properly positioned and flush to the finished wall. Place Rubber Seal (C) inside Hex Hose Fitting (D). Connect Hex Hose Fitting (D) into Drop Elbow Outlet (E) by turning Hex Hose Fitting (D).

6. Unit Startup

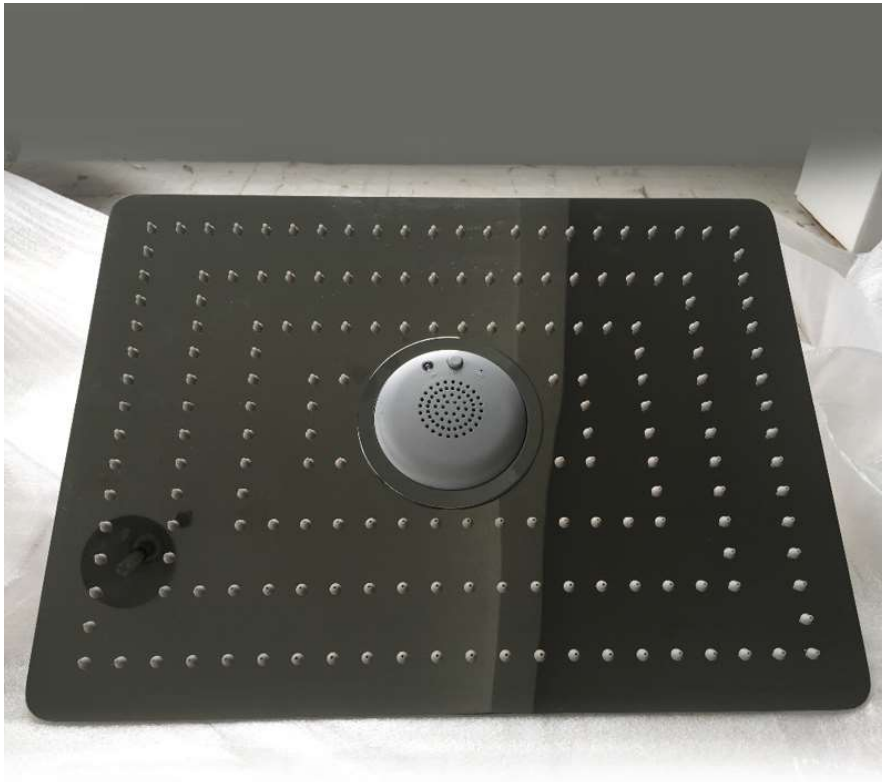
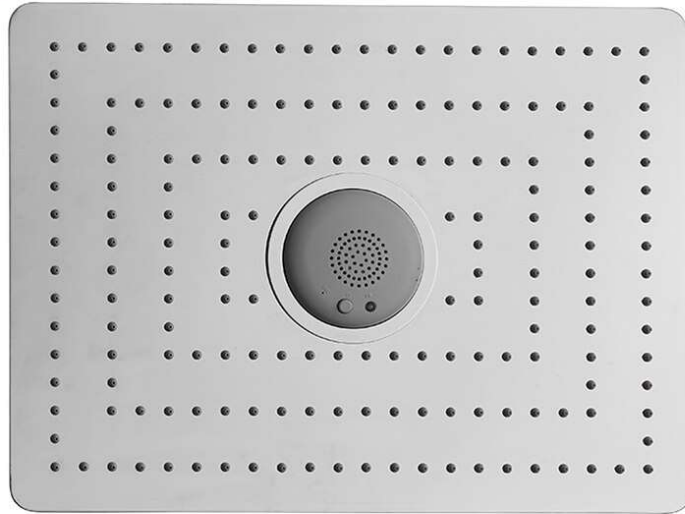
Turn on hot and cold water supplies, and check all connections for leaks.

7. Final Flushing

For final flushing, turn the valve on and allow water to run through the Hose (A) for several minutes. Allow water to run for several minutes until all foreign matter clears the line.

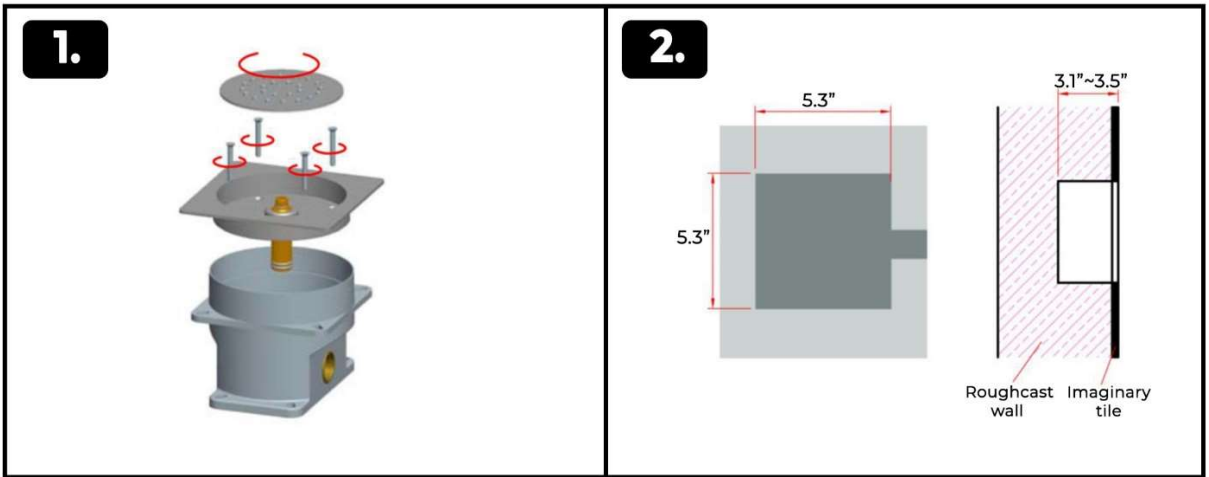
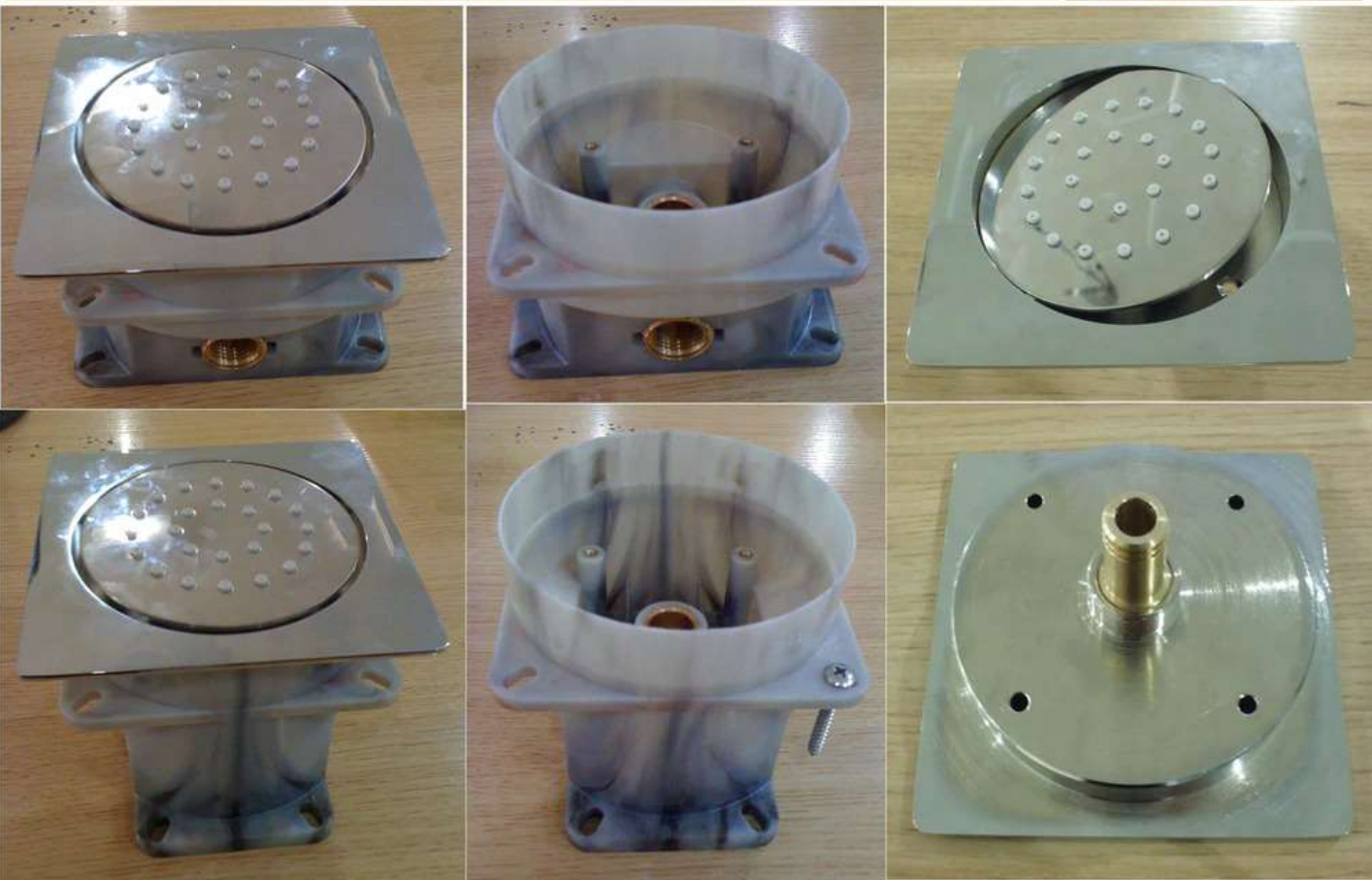
8. Shower Arm Installation

Place Rubber Seal (A) inside Tapered Hose Fitting (B). Conned Hand Shower (C) to Hose (D) by turning Tapered Hose Fitting (B) clockwise. Warning: Make sure Hand Shower (C) is securely tightened to Hose (D).



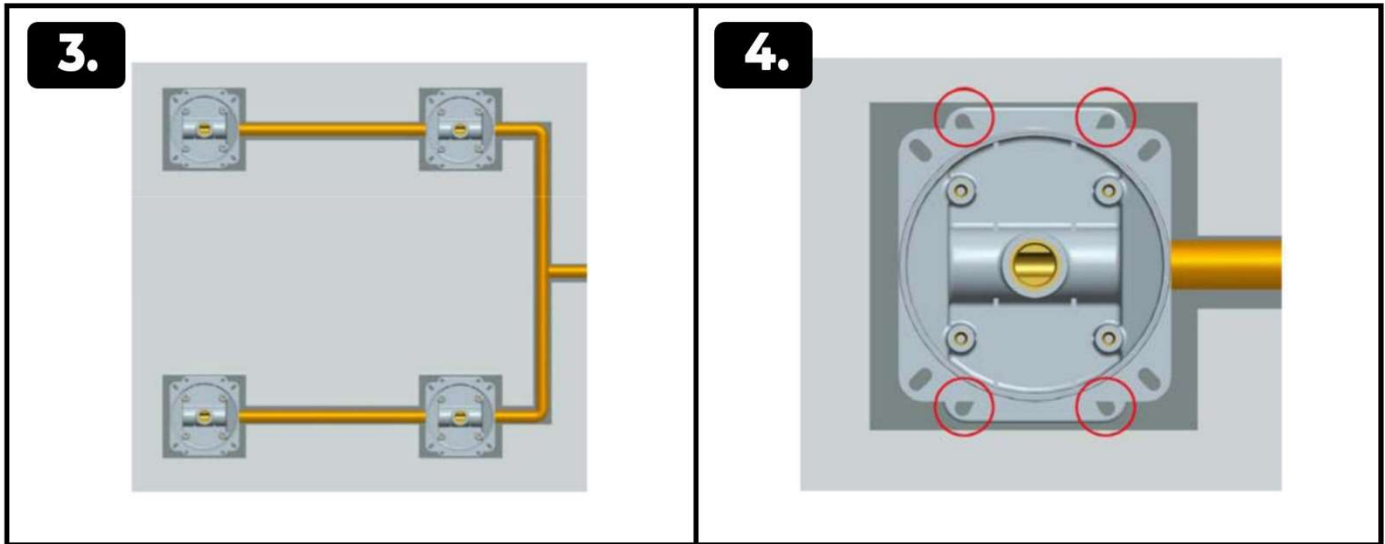






1. To revolve the nozzles and 4 sets M4 screws by counterclockwise rotation, and then take out nozzles and panel.

2. According to the using situation, to dig a concealed hole in the right position, the size is bigger than 5.3" x 5.3", the depth of the opening wall is 3.1" - 3.5" distance the tile end.



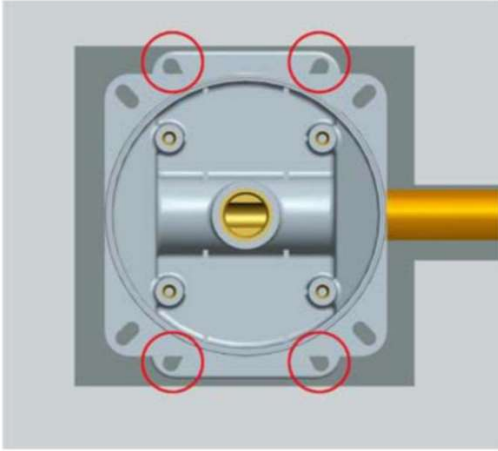
To set up pipelines according to using situation, to connect pipelines and the concealed box, and then test water, make sure pipelines no leakage water.

To place the concealed box in the wall, and make sure the same level using leveling instrument, then drill to open positioning hole, and then bury the expansion tube.

3. To set up pipelines according to using situation, to connect pipelines and the concealed box, and then test the water, make sure pipelines no leakage water.

4. To place the concealed box in the wall, and make sure the same level using leveling instrument, then drill to open a positioning hole, and then bury the expansion tube.

5.



6.



To fix concealed box using self tapping screws with gaskets, and maintain the same level.

Fill cement in the external groove of concealed box, Stick tile well.

5.To fix concealed box using self-tapping screws with gaskets, and maintain the same level.

6. Fill cement in the external groove of the concealed box, Stick tile well.

7.



8.



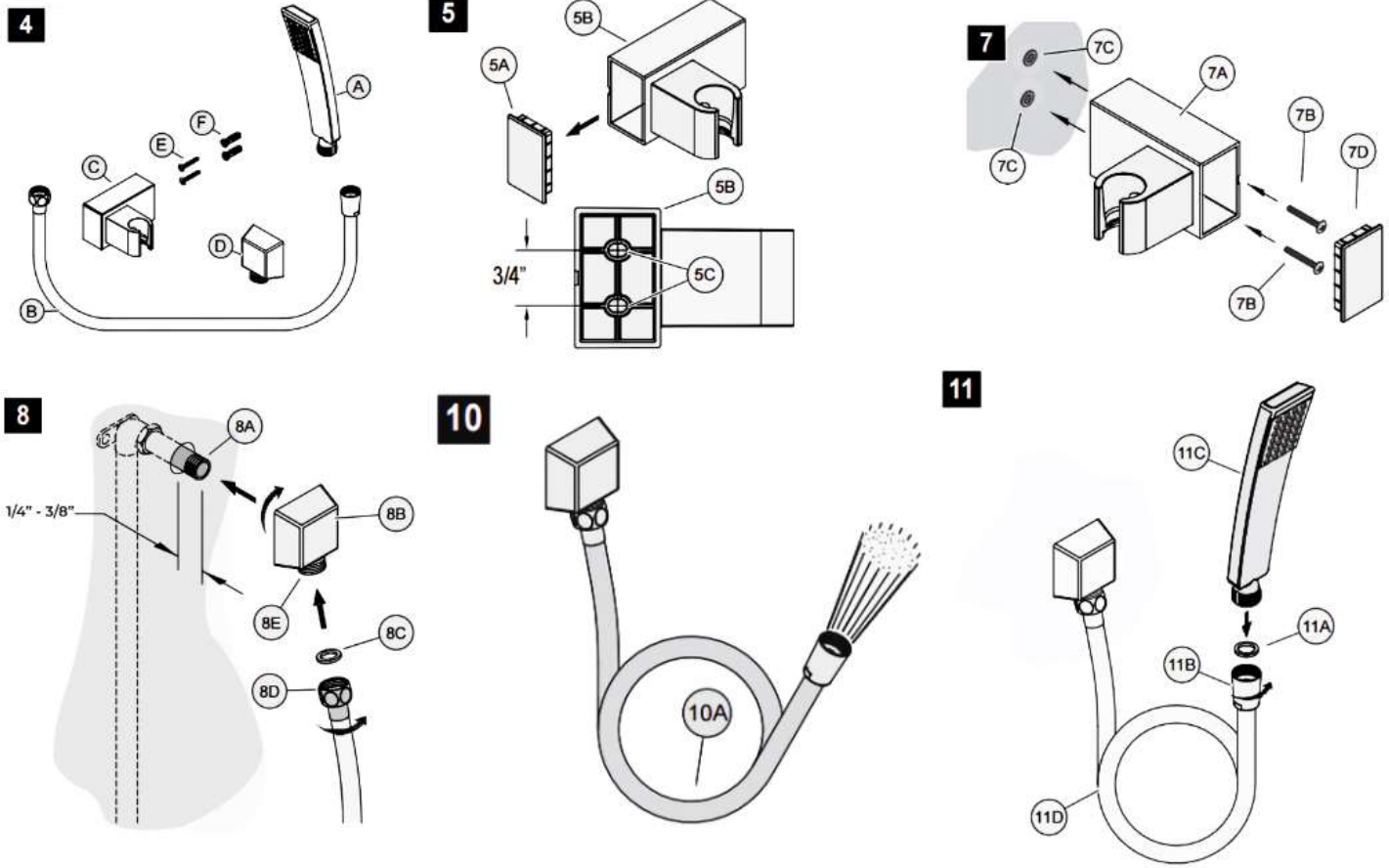
To recess the higher part of the conceal box as not to interfere with the tile, make sure that if you cave cut the box that is free of burrs.

To revolve the nozzles and 4 sets M4 screws by clockwise, to install the nozzles and the nozzle panel on plastic concealed box.

7. To recess the higher part of the conceal box as not to interfere with the tile, make sure that if you cave cut the box that is free of burrs.

8. To revolve the nozzles and 4 sets M4 screws by clockwise, to install the nozzles and the nozzle panel on the plastic concealed box.

Hand-Held Shower Instructions



5. HOLE LOCATIONS FOR WALL MOUNT

Remove Front Cover (5A) from Wall Mount (5B). Use Wall Mount Screw Holes (5C) to place the desired location. Using a punch or awl, tap the screw hole locations. Holes must be vertically aligned.

6. ANCHOR INSTALLATION

Drill two 1/4" dia. Holes (6A). If installing into a studs drill two 1/8" dia. holes and do not use Anchors (6B). Insert Anchors (6B) into Holes (6A) and tap flush with wall.

7. WALL MOUNT INSTALLATION

Place Wall Mount (7A) into wall and inset Mounting Screws (7B) through Wall Mount Holes (7C) and tighten until Wall Mount (7A) is flush with the wall. Do Not Over Tighten! Insert Front Cover (7D) into Wall Mount (7A)

8. DROP ELBOW & HOSE INSTALLATION

Apply PTFE plumbers tape on both ends of Pipe Nipple (8A) (not included). Screw Pipe Nipple (8A) into the elbow inside the wall. The Pipe Nipple (8A) is to project 1/4" – 3/4" from the finished wall. Screw Drop Elbow (8B) onto Pipe Nipple (8A) and tighten until Drop Elbow (8B) is properly positioned and flush to the finished wall.

Place Rubber Seal (8C) inside Hex Hose Fitting (8D). Connect Hex Hose Fitting (8D) into Drop Elbow Outlet (8E) by turning Hex Hose Fitting (8D).

9. UNIT STARTUP

Turn on hot and cold water supplies, and check all connections for leaks.

10. FINAL FLUSHING

For final flushing, turn the valve on and allow water to run through the Hose (10A) for several minutes. Allow water to run for several minutes until all foreign matter clears the line.

11. SHOWER ARM INSTALLATION

Place Rubber Seal (11A) inside Tapered Hose Fitting (11B). Connect Hand Shower (11C) to Hose (11D) by turning Tapered Hose Fitting (11B) clockwise.