

CRAFTMADE™

ELLA #44601-PLN / #44661-PLN / #44662-PLN
#44601-SB / #44661-SB / #44662-SB

PLEASE READ AND SAVE FOR FUTURE REFERENCE.

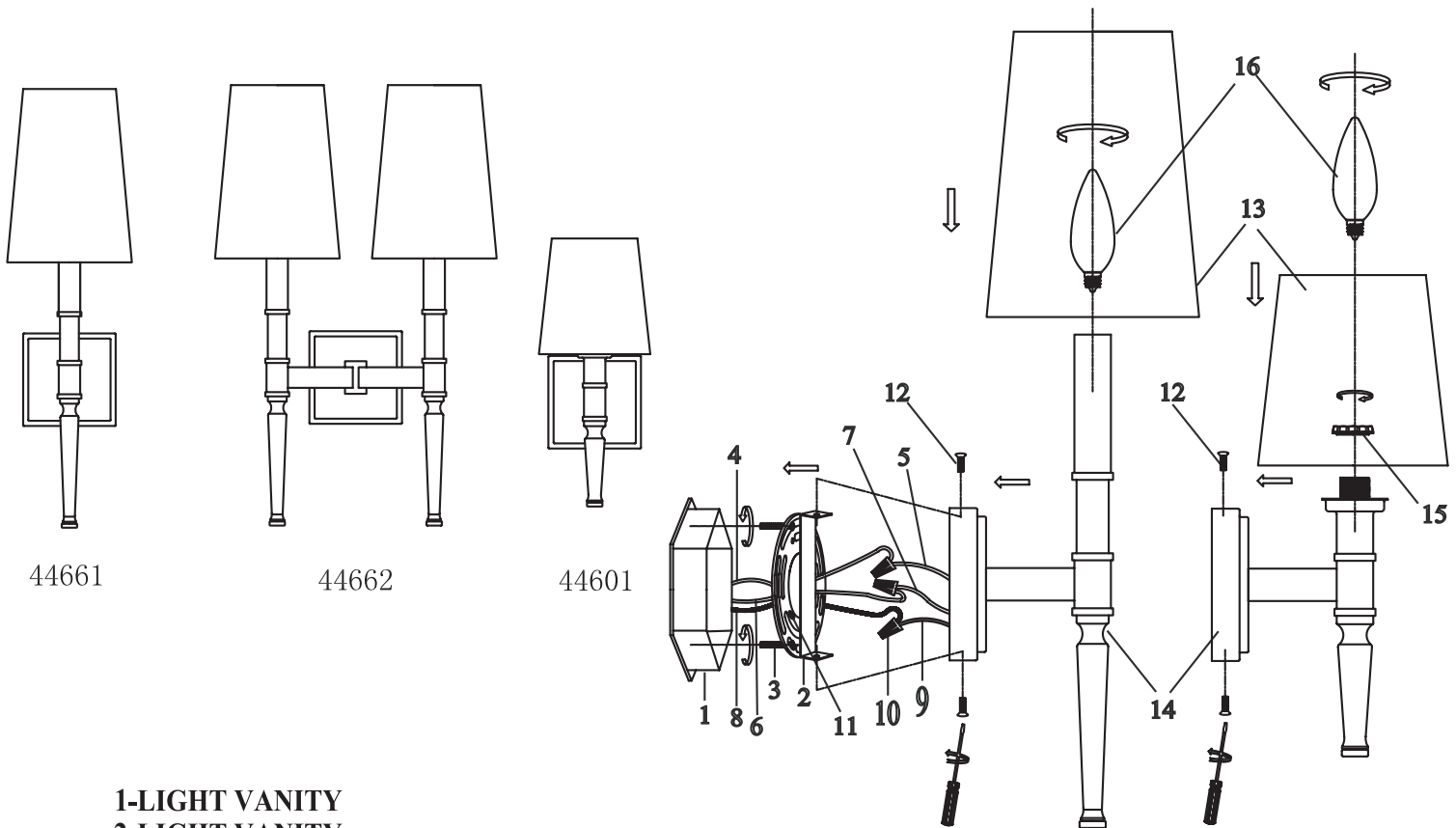
CAUTION

1. Turn off the main power at the circuit breaker before installing the fixture in order to prevent possible shock.
2. All electrical connections must be in accordance with local and National Electrical Code (N.E.C.) standards. If you are unfamiliar with proper electrical wiring connections, obtain the services of a qualified electrician.

GENERAL

Remove all parts and hardware from the box and make sure that none are missing by referencing the illustrations provided.

Bulbs Required (not included): 1 Candelabra Base 60 Watt Max. (for 1-light vanity)
2 Candelabra Base 60 Watt Max. (for 2-light vanity)



1-LIGHT VANITY
2-LIGHT VANITY

- | | |
|---|--|
| 1) Outlet Box (not included) | 9) Fixture Ground Wire |
| 2) Mounting Strap | 10) Wire Connectors |
| 3) Outlet Box Screws and Washers (pre-attached to outlet box) | 11) Ground Screw (pre-attached) |
| 4) Black Supply Wire (not included) | 12) Fixture Screws and Hex Nuts (pre-attached) |
| 5) Smooth (or Black) Fixture Lead Wire | 13) Shades |
| 6) White Supply Wire (not included) | 14) Fixture |
| 7) Ribbed (or White) Fixture Lead Wire | 15) Socket Rings (pre-attached) |
| 8) Supply Ground Wire (not included) | 16) Bulb (not included) |