


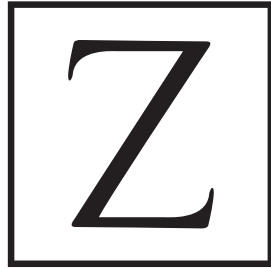
ZLINE



**EMERALD BAY
SHOWER SYSTEMS**

Installation Guide
and Users Manual

 **WARNING:** This product can expose you to chemicals including nickel, which is known to the State of California to cause cancer. For more information, go to www.P65Warnings.ca.gov.

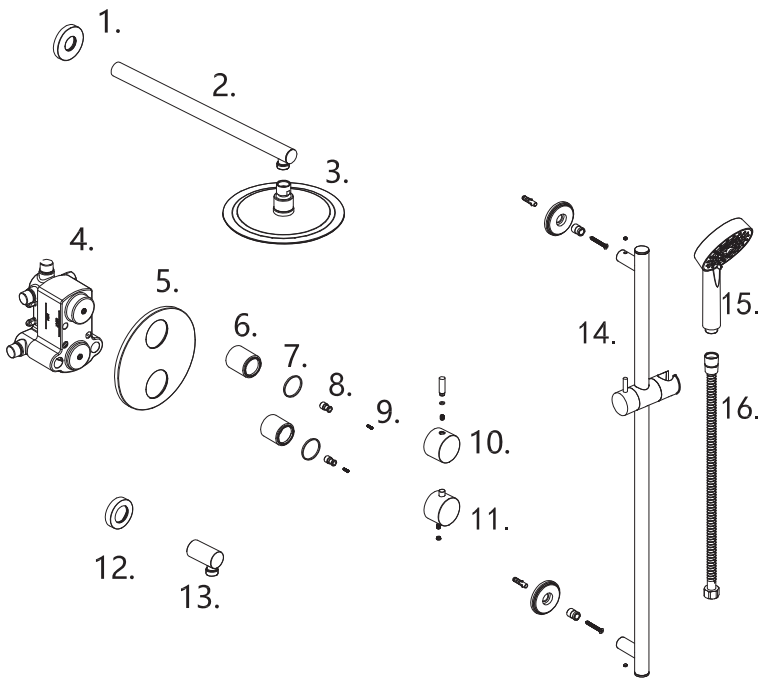


ZLINE

Sourced with materials from across the world, ZLINE's shower systems are easy to operate, reduce water waste, and complement bathroom décor. This exclusive collection blends modern technology with traditional appeal — offering a wide array of finishes.

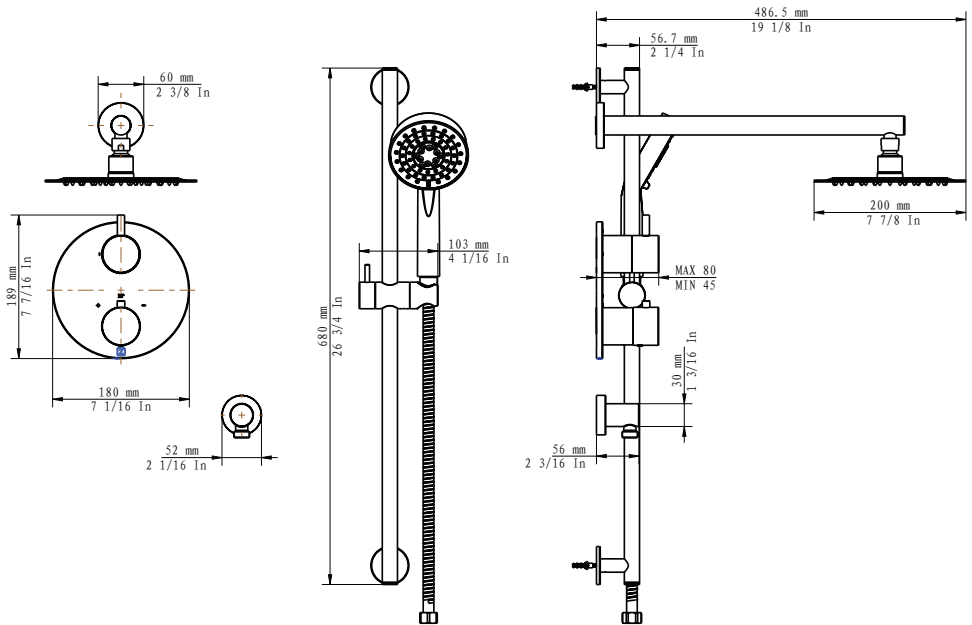
ZLINE showers offer an aerated water flow for resource conservation, helping both the environment and your wallet. The housing material composition consists largely of brass, which is extremely durable and leak proof. Each shower system produced is examined thoroughly by hand to ensure quality and consistency.

2 POINT SHOWER SYSTEM (EMBY-SHS-T2)



- | | |
|---------------------|-------------------|
| 1. Flange cover | 10. Handle |
| 2. Shower arm | 11. Handle |
| 3. Top spray shower | 12. Flange cover |
| 4. Wall valve body | 13. Angle valve |
| 5. Faceplate | 14. Shower rail |
| 6. Sleeve | 15. Shower handle |
| 7. Washer | 16. Hose |
| 8. Tooth | |
| 9. Screw | |

2 POINT SHOWER SYSTEM (EMBY-SHS-T2)

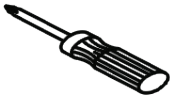


2 POINT SHOWER SYSTEM (EMBY-SHS-T2)

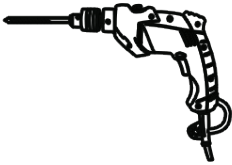
Tools:



Wrench



Screwdriver



Drill

Time required:



+/- 120 minutes

Legend:



Hot Water



Cold Water



Torch

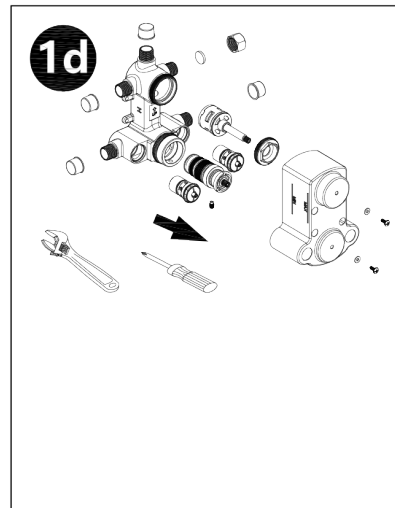
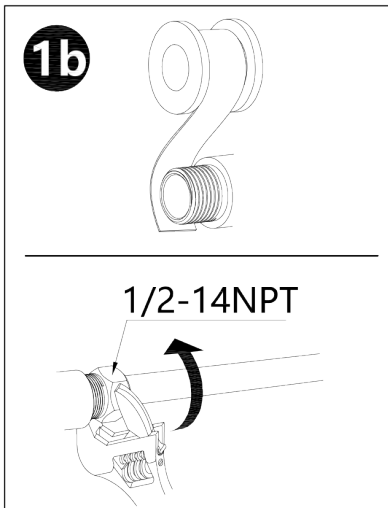
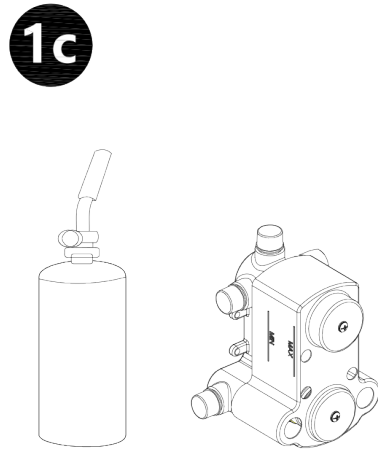
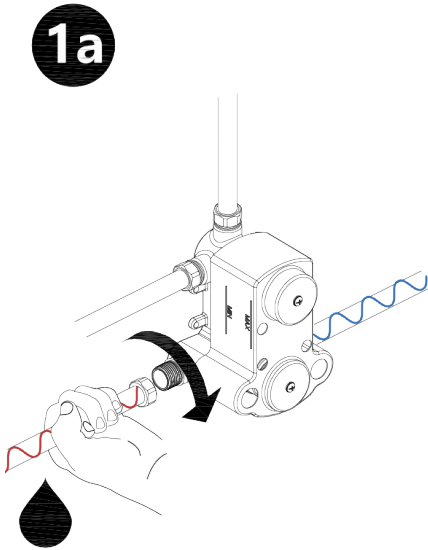


Warning



Plumber's Tape

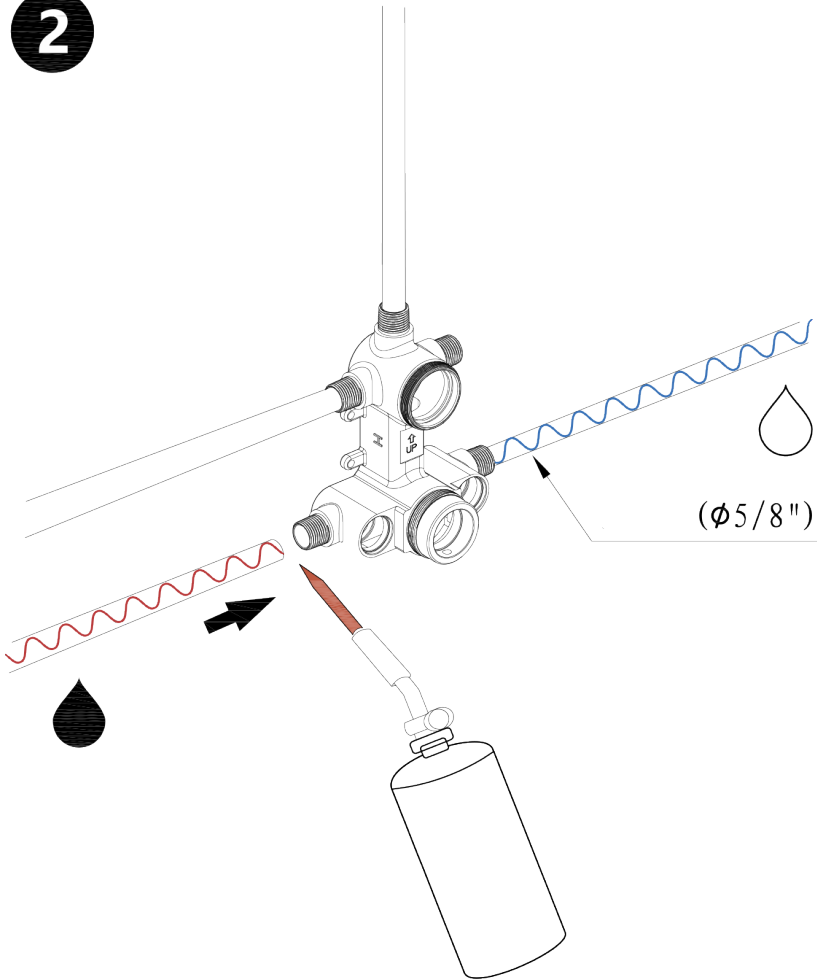
2 POINT SHOWER SYSTEM (EMBY-SHS-T2)



Slide the sleeves onto the pipes and then insert pipes into the wall valve. Tighten the ring around the pipes with the wrench.

2 POINT SHOWER SYSTEM (EMBY-SHS-T2)

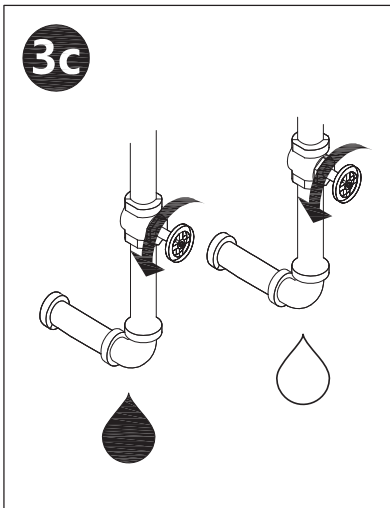
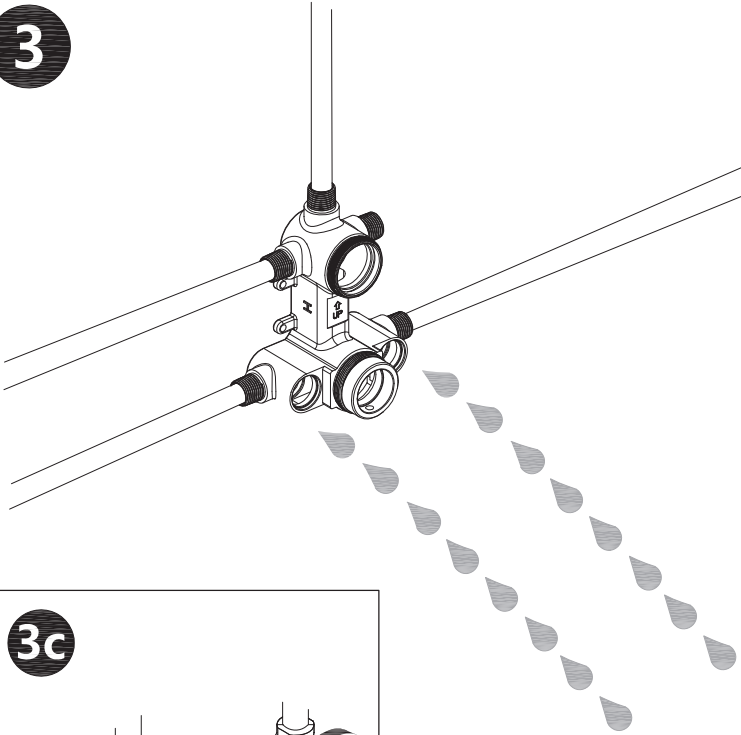
2



Weld the copper together or use plumber's tape to prevent leaks.

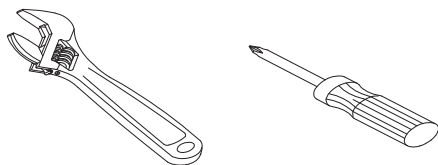
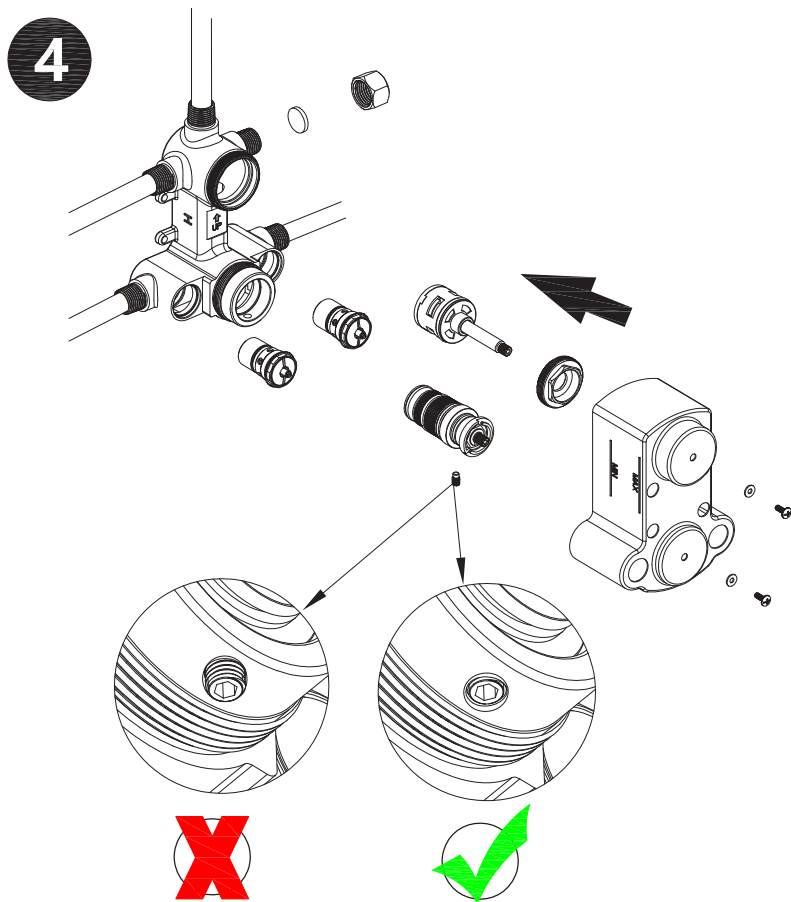
2 POINT SHOWER SYSTEM (EMBY-SHS-T2)

3



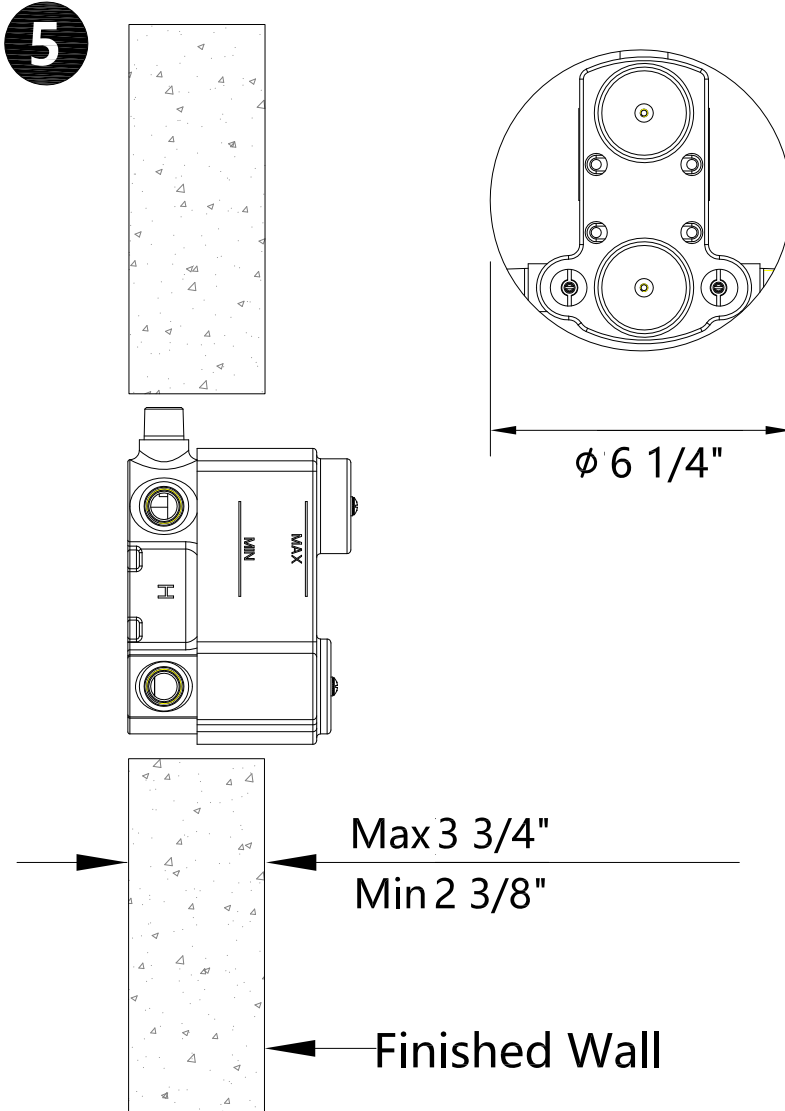
After welding, purge the water supply system for 30 seconds.

2 POINT SHOWER SYSTEM (EMBY-SHS-T2)



Reinstall the valve components into their original positions.

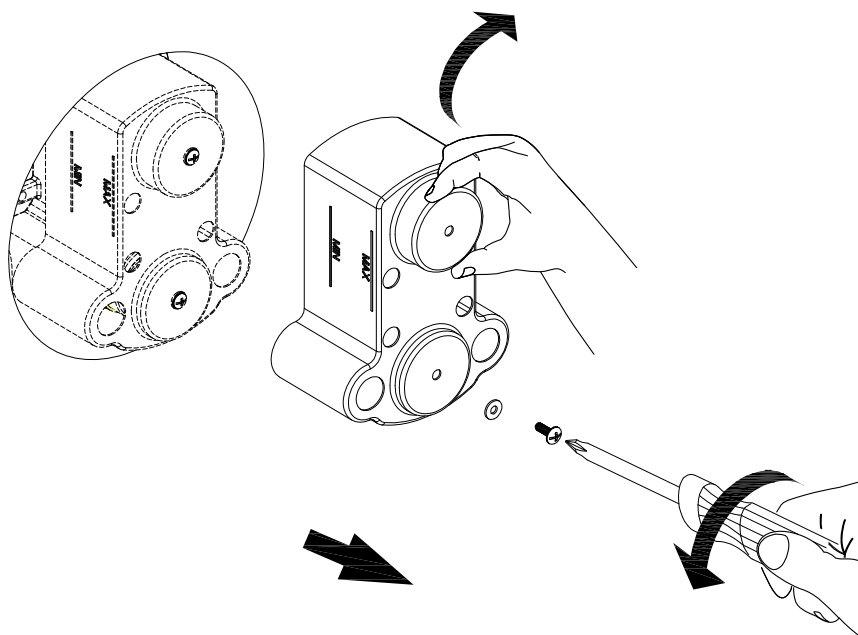
2 POINT SHOWER SYSTEM (EMBY-SHS-T2)



Use this diagram to understand the placement of the wall valve.

2 POINT SHOWER SYSTEM (EMBY-SHS-T2)

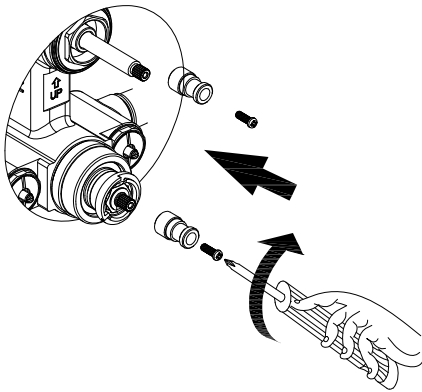
6



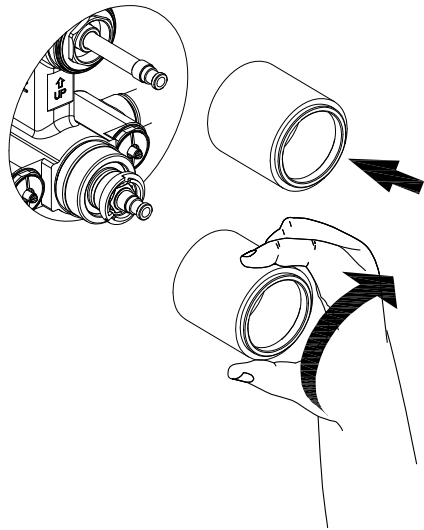
Screw the wall valve body into the system with a screwdriver. Do not overtighten.

2 POINT SHOWER SYSTEM (EMBY-SHS-T2)

7a



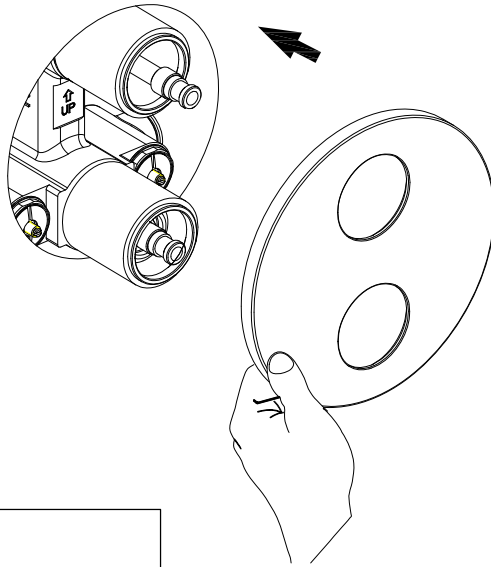
7b



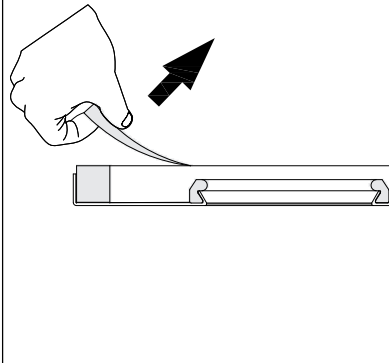
Screw the sleeve and washer into the wall valve body.

2 POINT SHOWER SYSTEM (EMBY-SHS-T2)

8

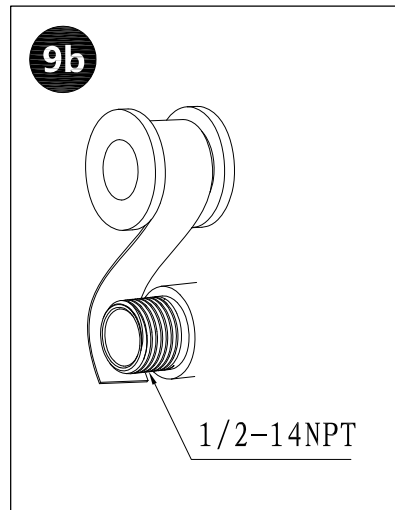
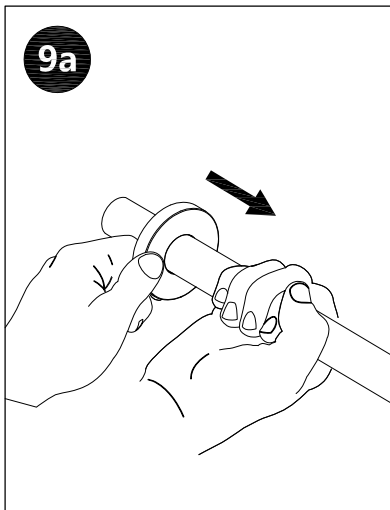
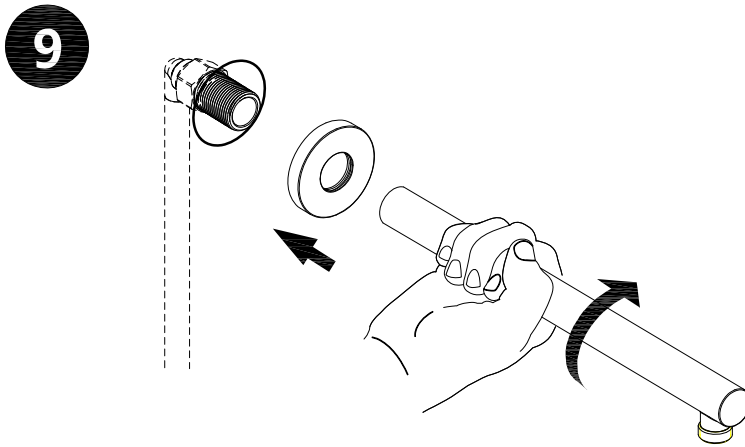


8a



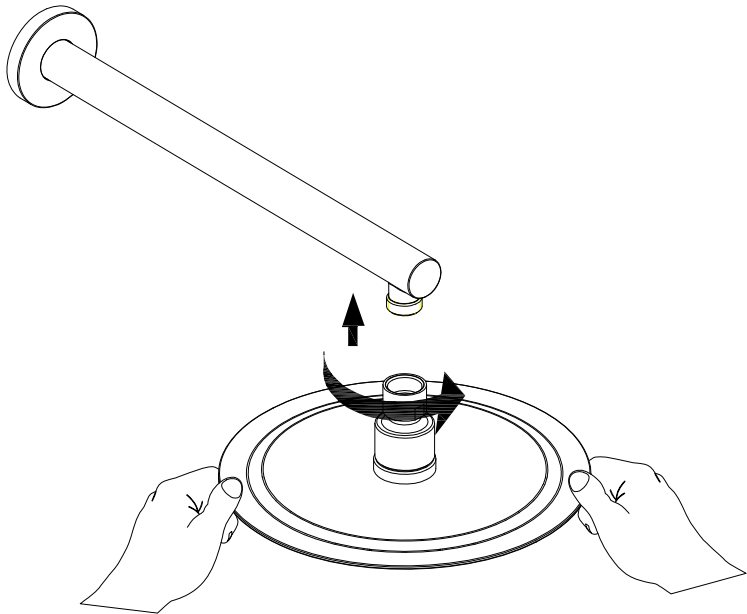
Attach the faceplate and remove the plastic.

2 POINT SHOWER SYSTEM (EMBY-SHS-T2)



Connect the flange cover to the spout in the wall. Secure with plumber's tape to prevent leaks.

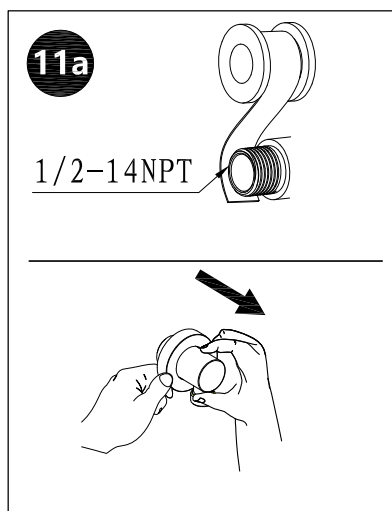
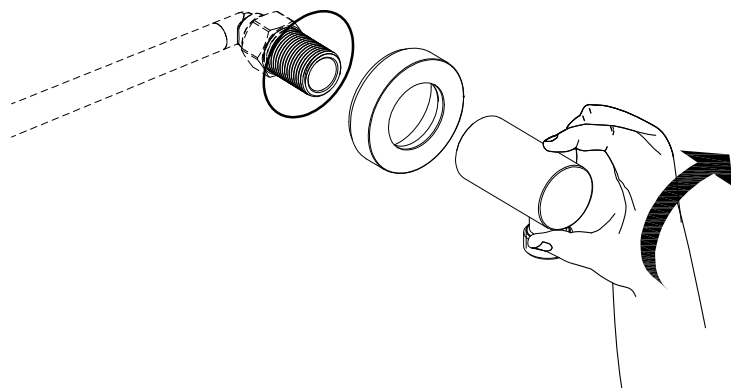
10



Twist the top spray shower into the shower arm.

2 POINT SHOWER SYSTEM (EMBY-SHS-T2)

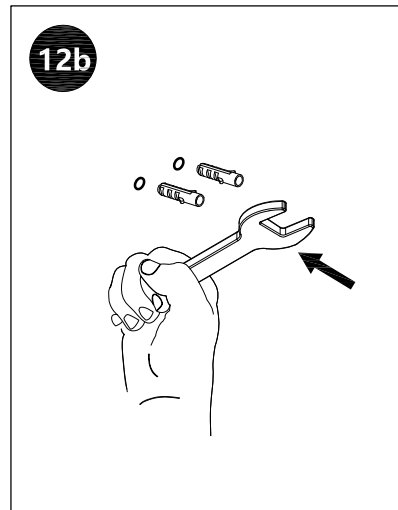
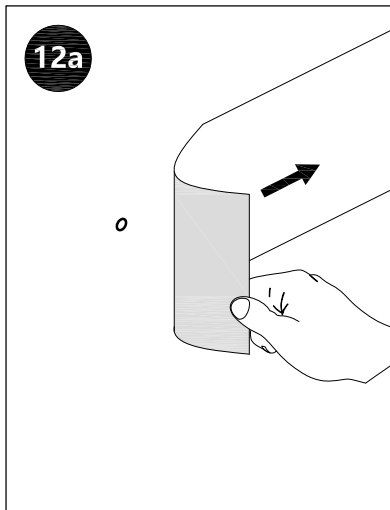
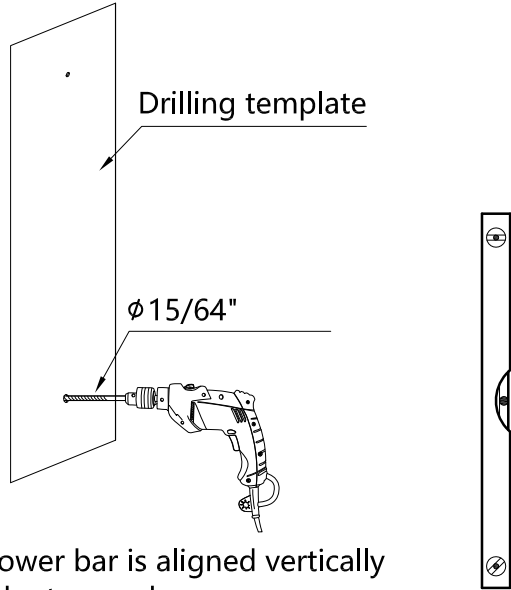
11



Connect the angle valve to the flange cover and screw together. Secure with plumber's tape to prevent leaks.

2 POINT SHOWER SYSTEM (EMBY-SHS-T2)

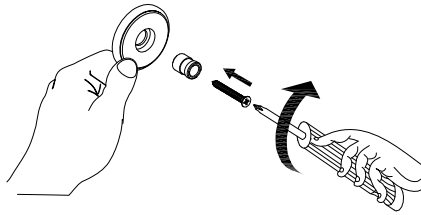
12



Make sure the shower bar is aligned vertically before installing the top anchor.

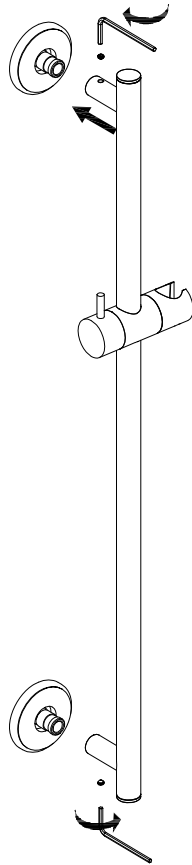
2 POINT SHOWER SYSTEM (EMBY-SHS-T2)

13



Secure the mounting brackets into place.

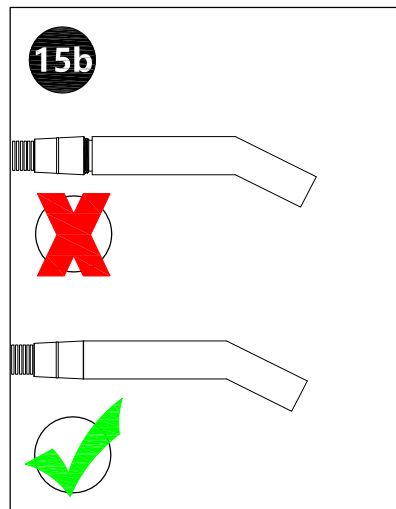
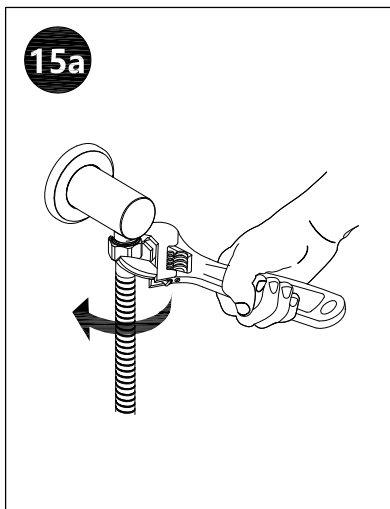
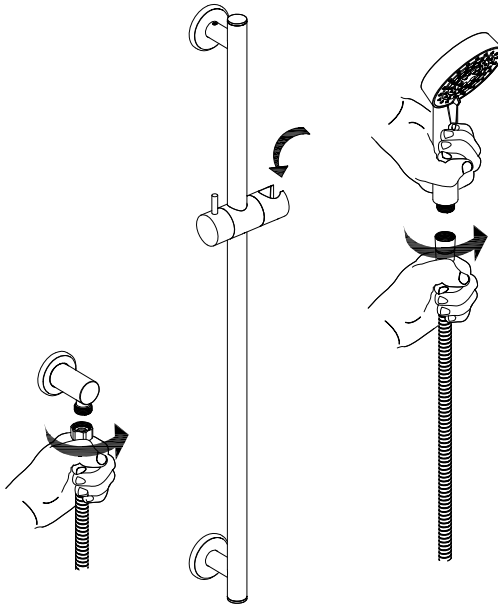
14



Connect the components of the shower rail.

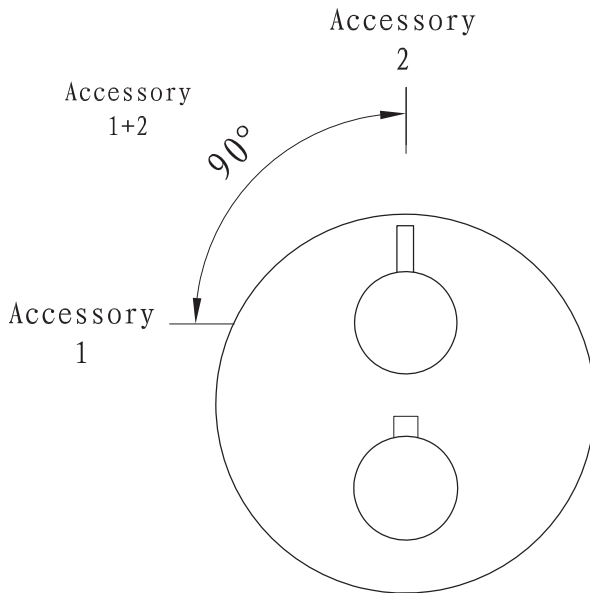
2 POINT SHOWER SYSTEM (EMBY-SHS-T2)

15



Connect the shower handle to the shower rail. Tighten with a wrench.

16



Review the diagram to understand the hot, cold, and open settings.



ZLINE