


ZLINE



BATH FAUCETS

Installation Guide
and Users Manual

 **WARNING:** This product can expose you to chemicals including nickel, which is known to the State of California to cause cancer. For more information, go to www.P65Warnings.ca.gov.



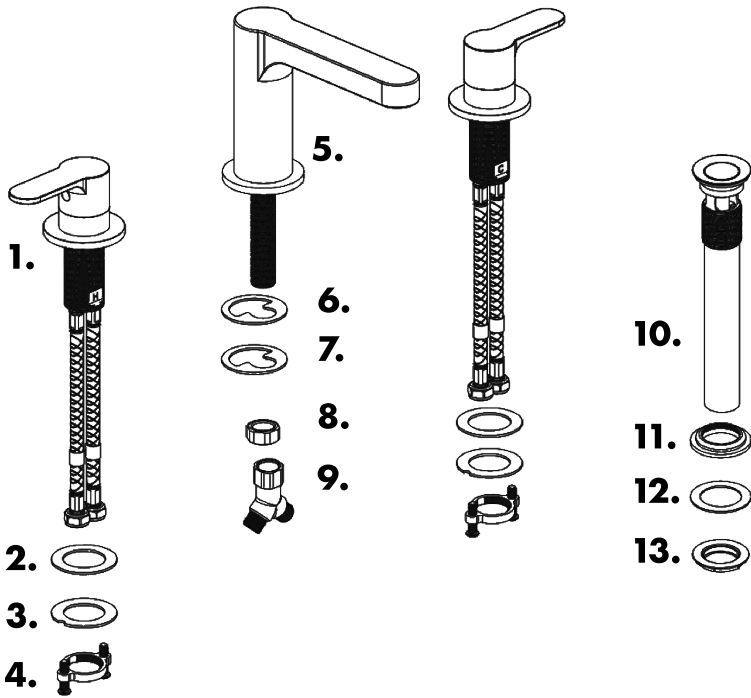
Inspired by the clear, serene waters of the stunning Lake Tahoe, ZLINE Bath Faucets provide the ultimate luxury experience. ZLINE Faucets are offered in a wide selection of contemporary styles and designer finishes. With ergonomic control in mind, these faucets offer the perfect amount of aerated water pressure at 1.8 gal/min, allowing for an eco-friendly and efficient washing experience.

Each faucet is precision tested, as they undergo over 50,000 unit tests - a step above the industry standard of 15,000 tests. Have peace of mind knowing ZLINE Faucets are cUPC Certified, ensuring the materials used are durable and lead-free. Discover what makes Attainable Luxury® the core essence of ZLINE Kitchen and Bath with these designer bath faucets.

ZLINE is fueled by a passion for innovation; A relentless pursuit of bringing the highest end luxury designs and professional features into everyone's homes. Because we continually strive to improve our products, we may change specifications and designs without prior notice.

BEFORE INSTALLATION

Double Handle Faucet



1. Faucet Handle
2. Washer
3. Washer
4. Lock Nut
5. Body
6. Washer
7. Washer

8. Nut
9. Adapter
10. Pop-up
11. Washer
12. Flat Washer
13. Nut

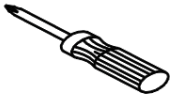
BEFORE INSTALLATION

Double Handle Faucet

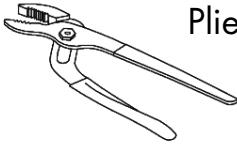
Tools Needed:



Wrench



Phillips-head screwdriver



Pliers

Time required:



+/- 45 minutes

Legend:



Hot Water



Cold Water



Grease



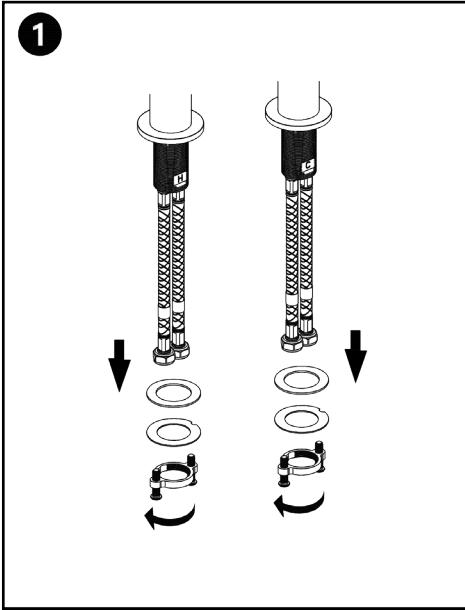
Warning



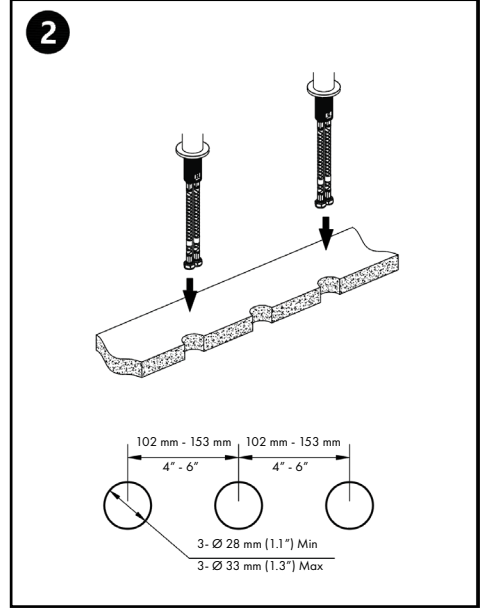
Plumber's Tape

INSTALLATION

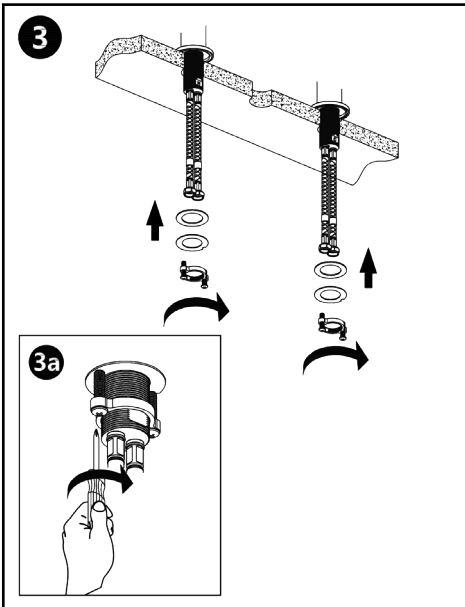
Double Handle Faucet



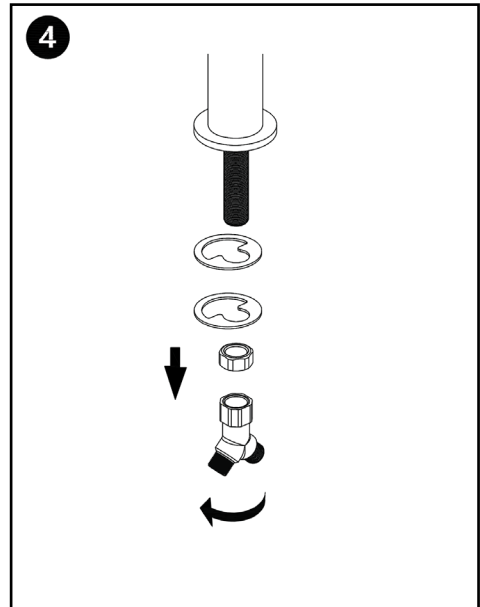
Loosen the fixing nut and screws for the handles and put aside.



Mount handles to the counter top.



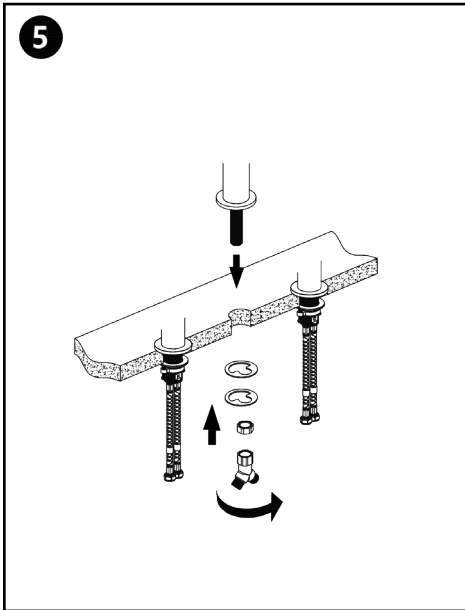
Secure the hardware into place with the Base O-ring, nuts, and screws.



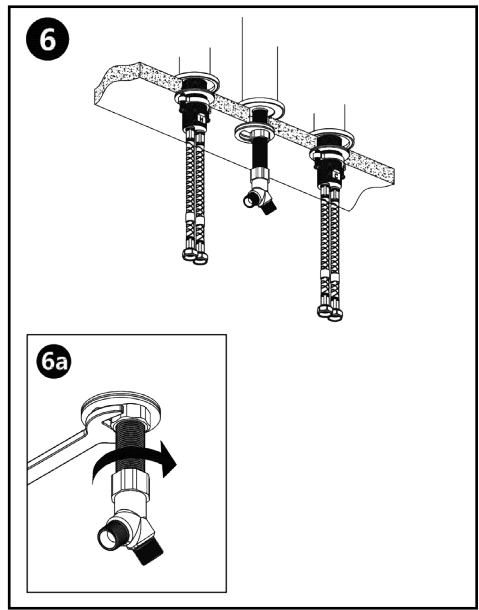
Loosen the fixing nut, washers, and adapter from the body and put aside.

INSTALLATION

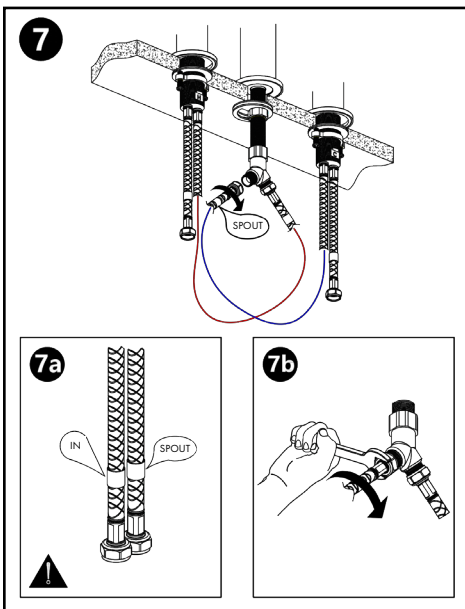
Double Handle Faucet



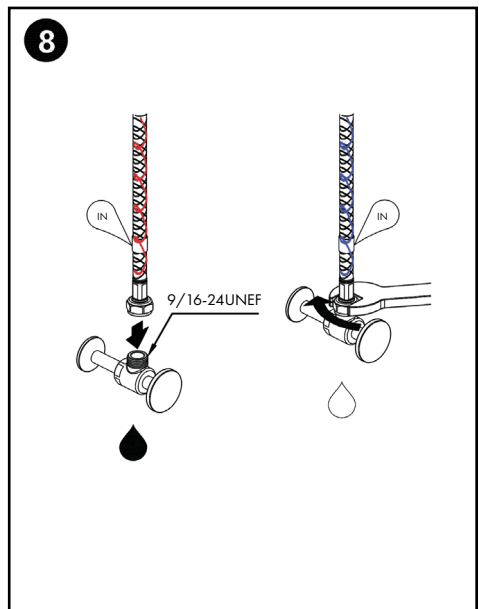
Insert the body into the counter top from above and secure with nuts and washer from below.



Secure the hardware into place.



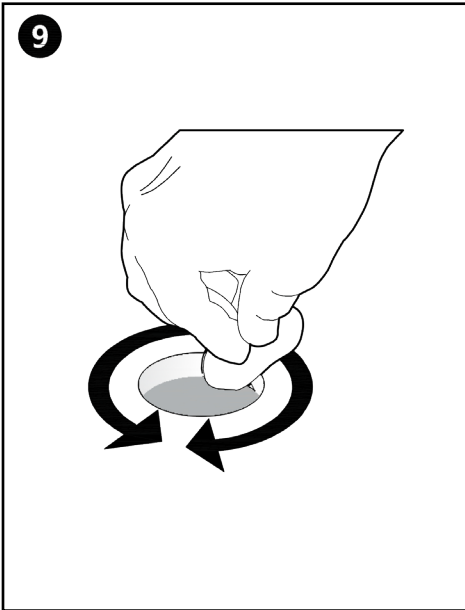
Secure the spout hose lines from the hot and cold water fixtures.



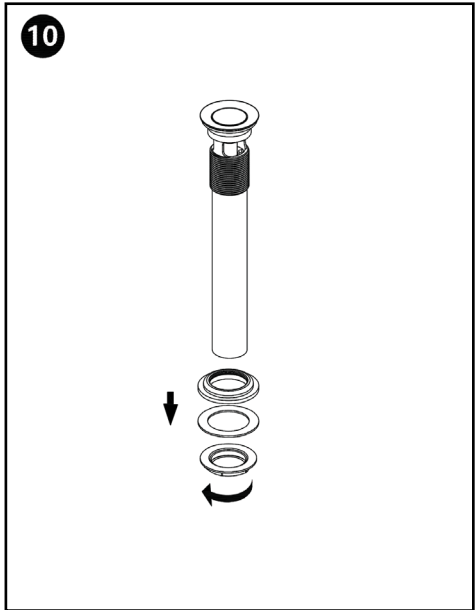
Secure the hoses to the hot (red) and cold (blue) lines appropriately.

INSTALLATION

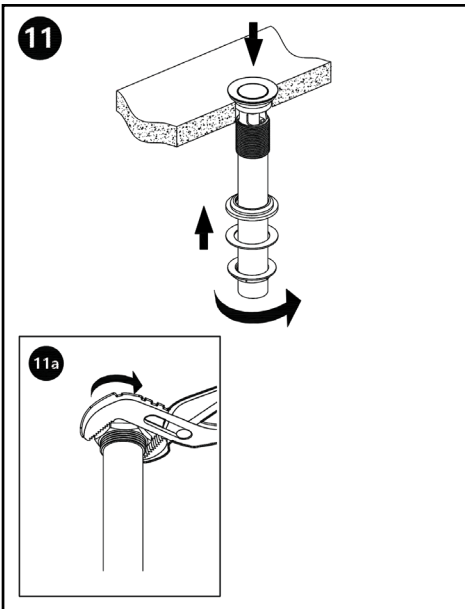
Double Handle Faucet



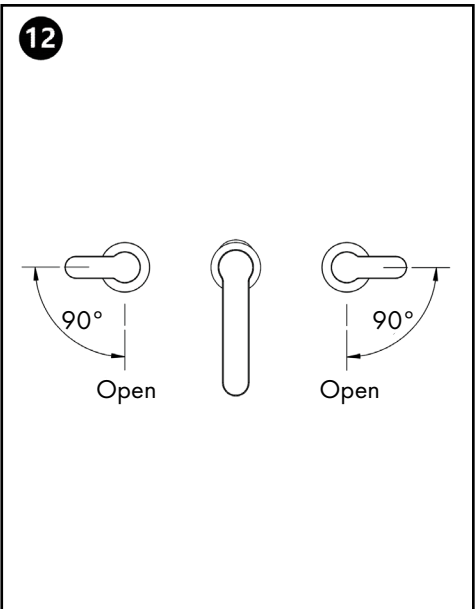
Clear area before inserting pop-up drain stopper.



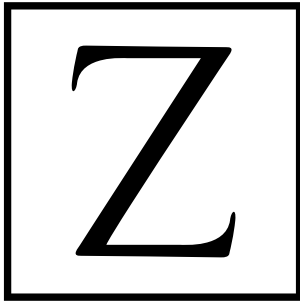
Remove the washer, flat washer, and nut from the pop-up.



Insert the pop-up from above and tighten the nut and washers below to secure to the counter top.



Review the diagram to understand the hot, cold, and open settings.



ZLINE