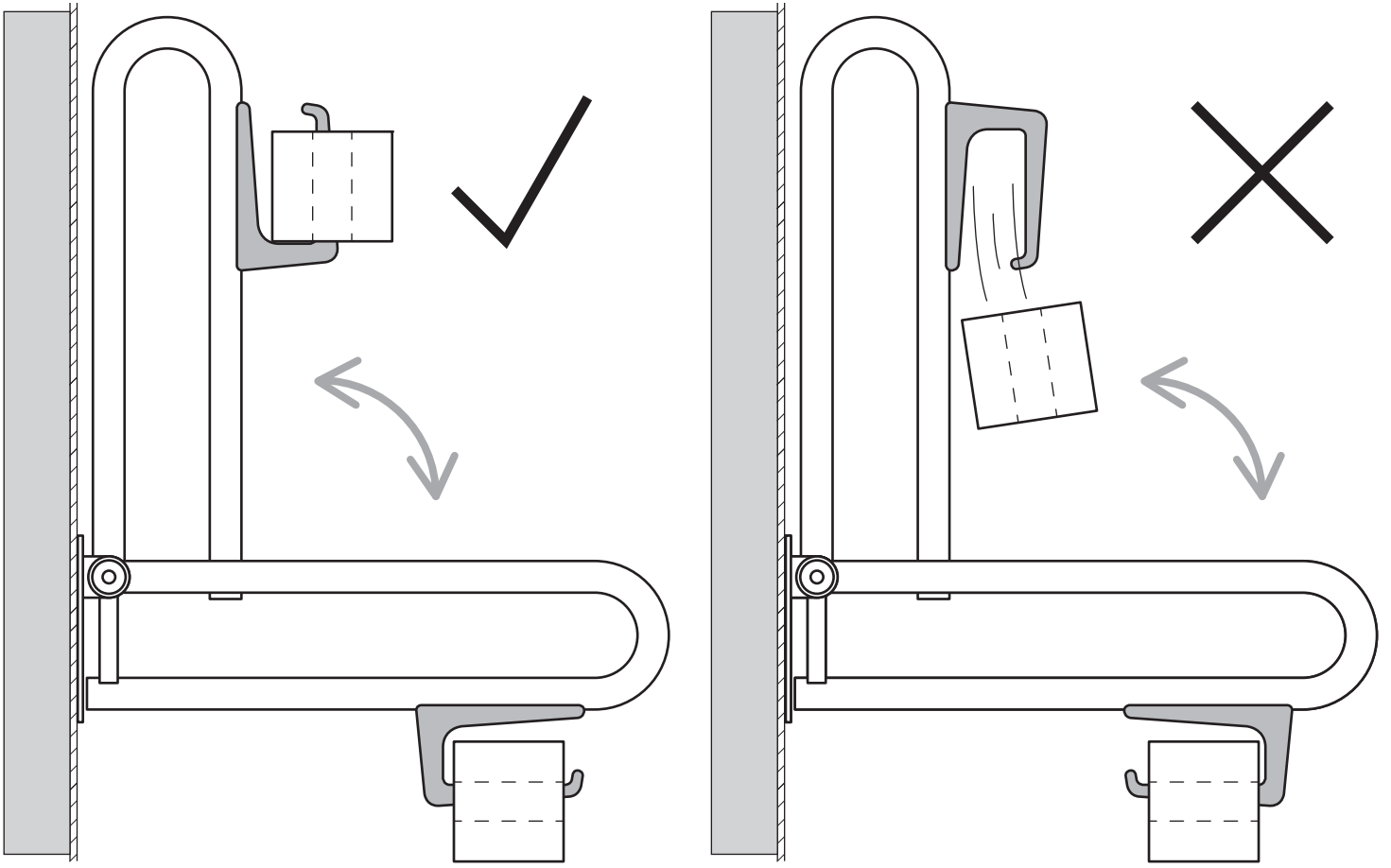


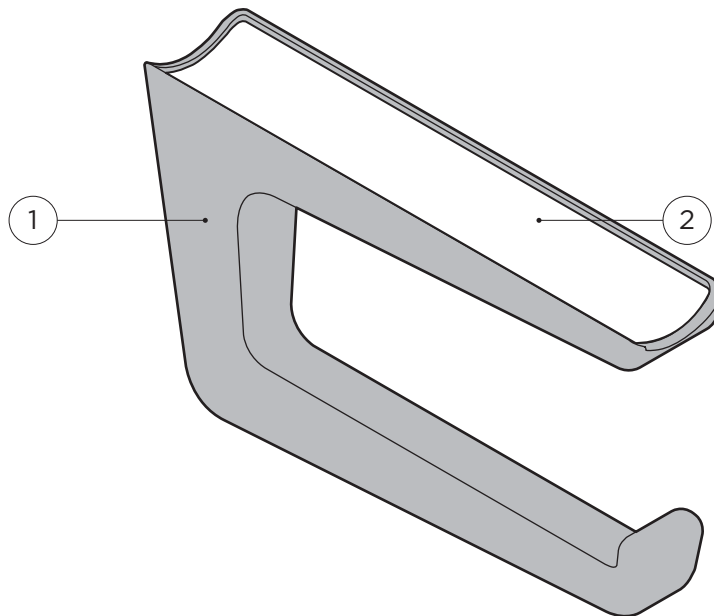
P.T.Rail™ Toilet Roll Holder

PT-TRH
(DC119 - RevD)

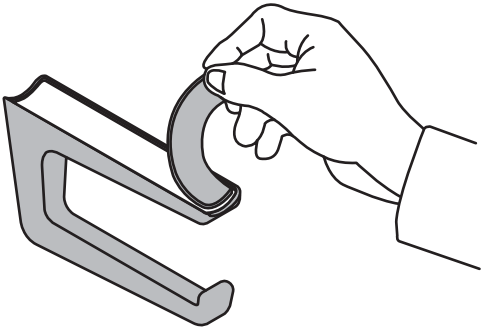
A



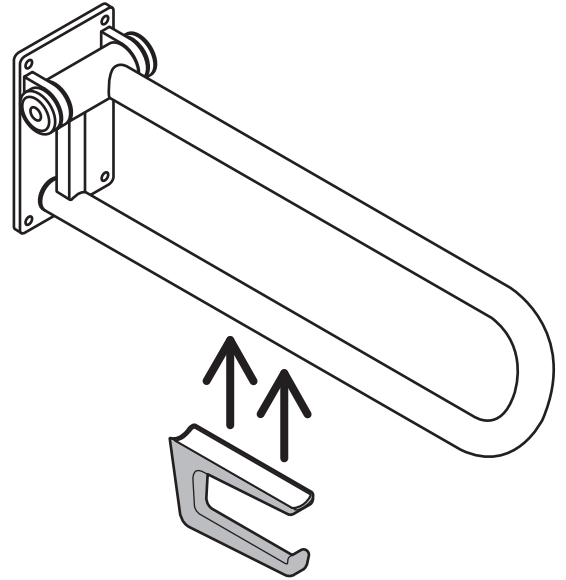
B



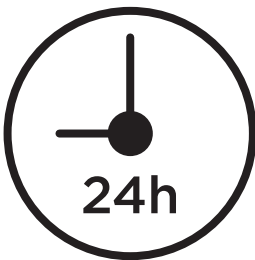
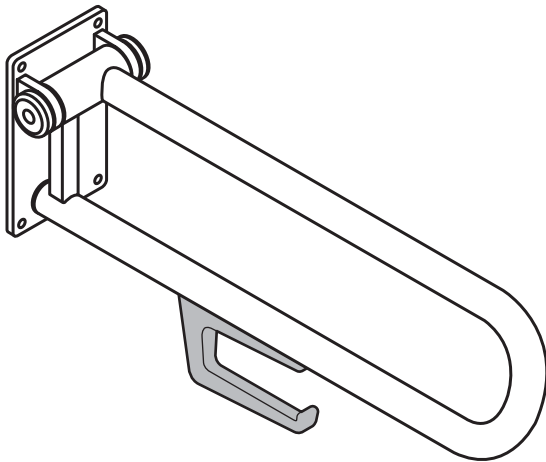
1



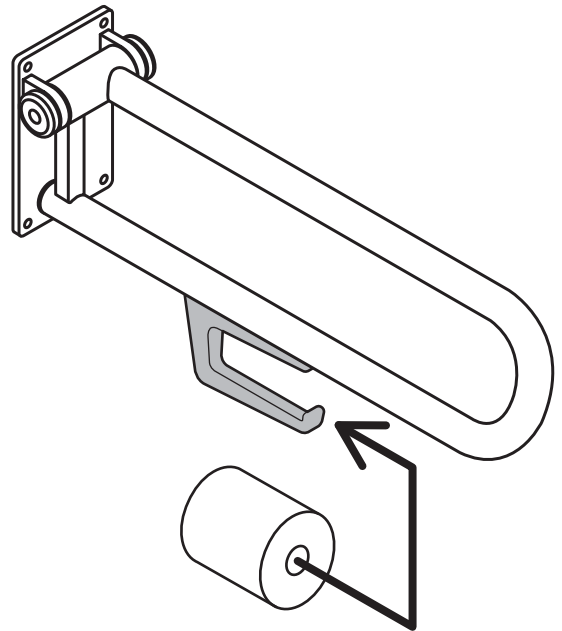
2



3



4



OVERVIEW

Thank you for choosing the P.T.Rail Toilet Roll Holder from HealthCraft. Please read and understand the instructions in this manual (and the P.T.Rail Manual DC110); keep manuals for future reference.

The Toilet Roll Holder is a high quality, commercial grade bathroom accessory to be used with the P.T.Rail. The Toilet Roll Holder is intended to adhere to the P.T.Rail, and hold a roll of toilet paper. The Toilet Roll Holder is not intended to be used as a weight bearing surface or injury will occur. The Toilet Roll Holder is only to be used with HealthCraft's P.T.Rail. The Toilet Roll Holder is not to be used in any other way than described above. Toilet Roll Holder is covered under P.T.Rail warranty (DC110).

Specifications subject to change without notice.

INSTALLATION WARNINGS

FIGURE A.

1. Open end of Toilet Roll Holder must face away from wall plate. If installed incorrectly, toilet paper will fall off when P.T.Rail is folded against the wall.

DELIVERY CONTENTS - TOILET ROLL HOLDER

FIGURE B.

1. Plastic Toilet Roll Holder
2. Double Sided Tape

INSTALLATION INSTRUCTIONS

FIGURE C.

1. Peel cover to expose adhesive on double sided tape.
2. Press Toilet Roll Holder firmly against bottom of rail.
3. Allow 24 hours for adhesive to set.
4. Toilet Roll Holder is now installed.

