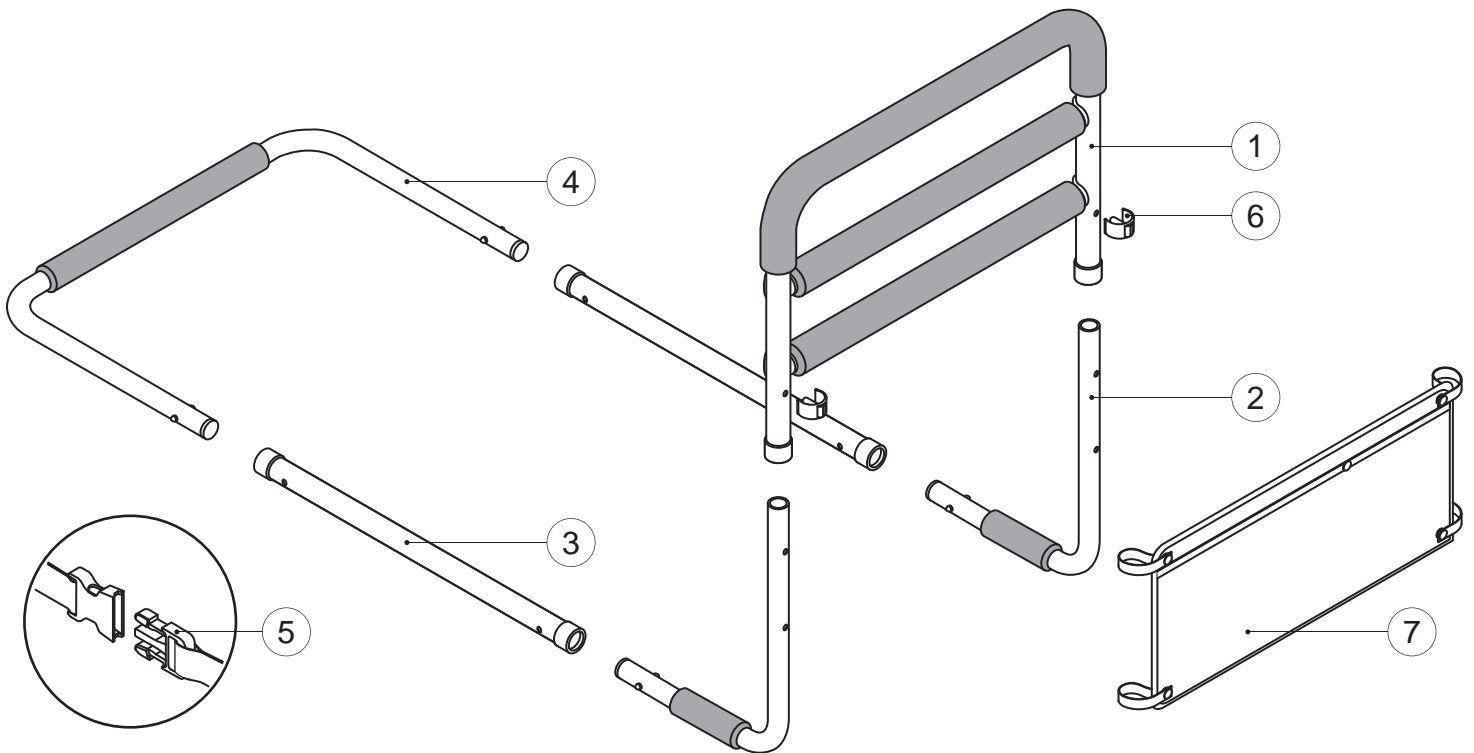
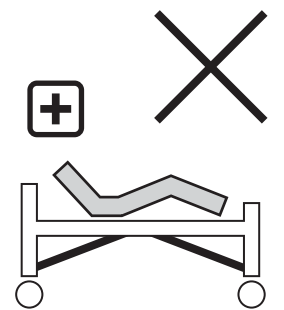
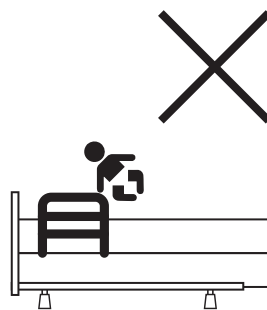
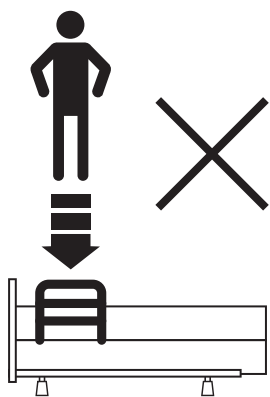
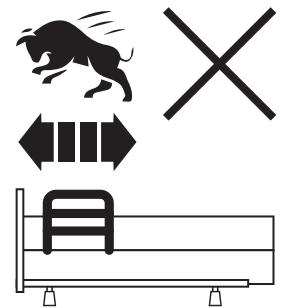
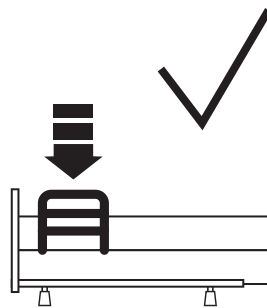
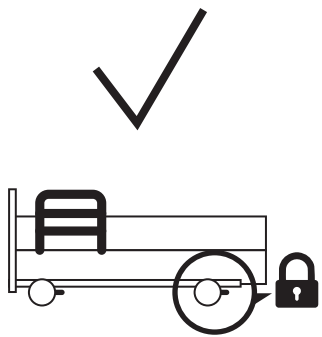


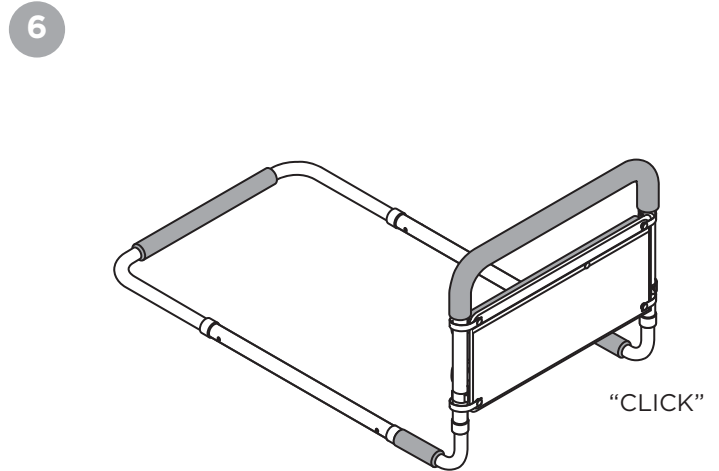
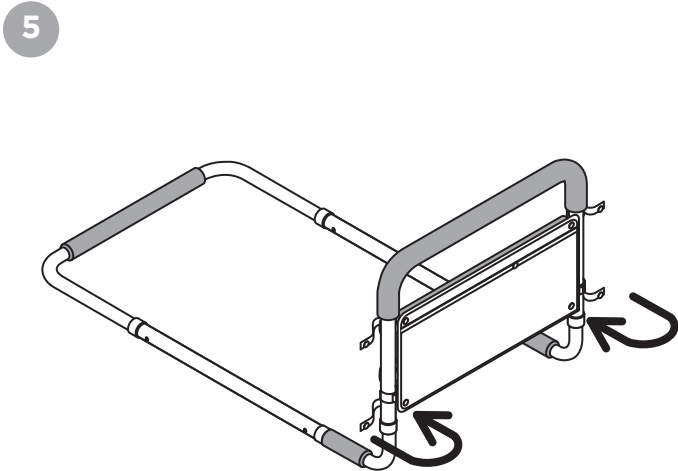
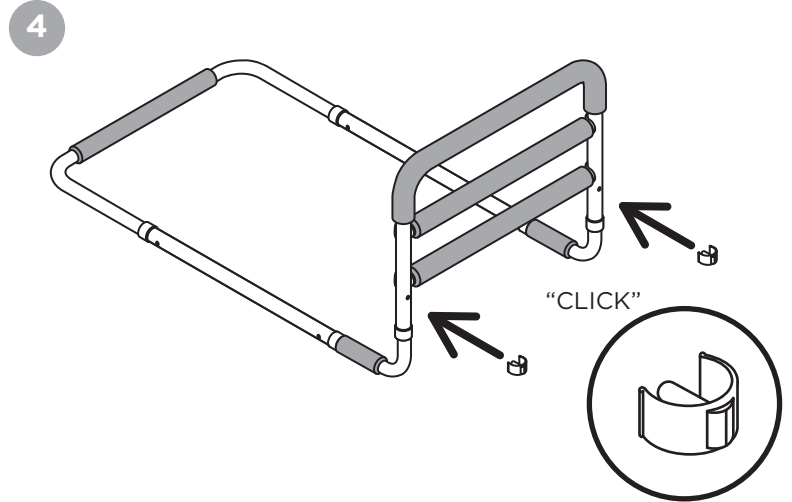
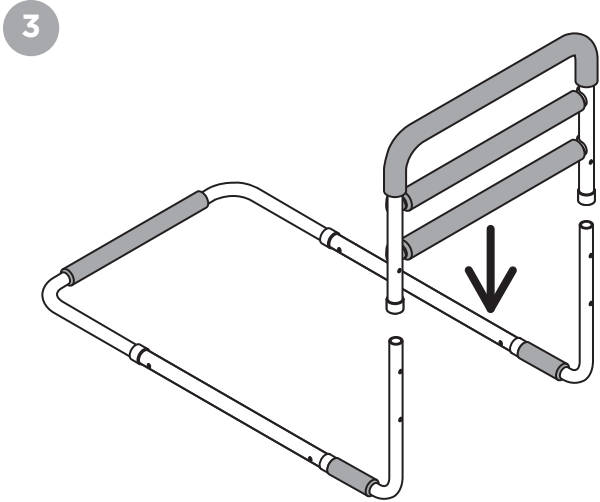
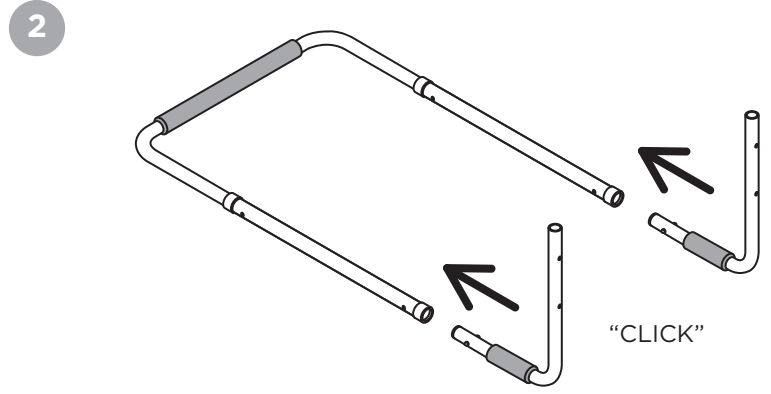
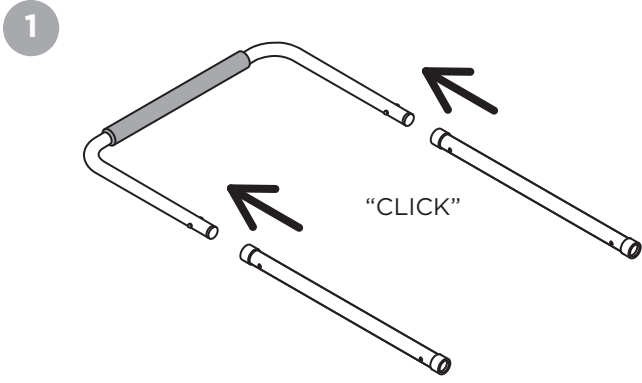
Assista-Rail™
AST-S
(DC111 - RevD)

A

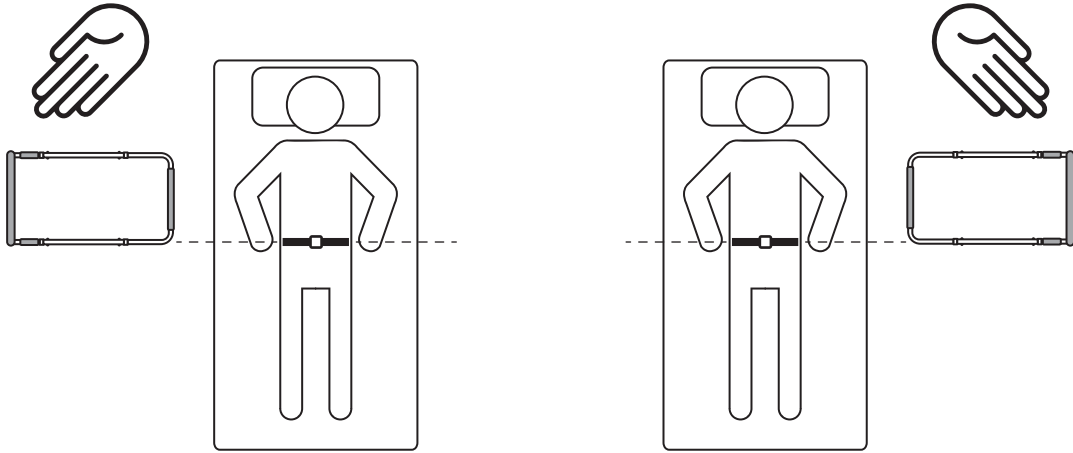


B

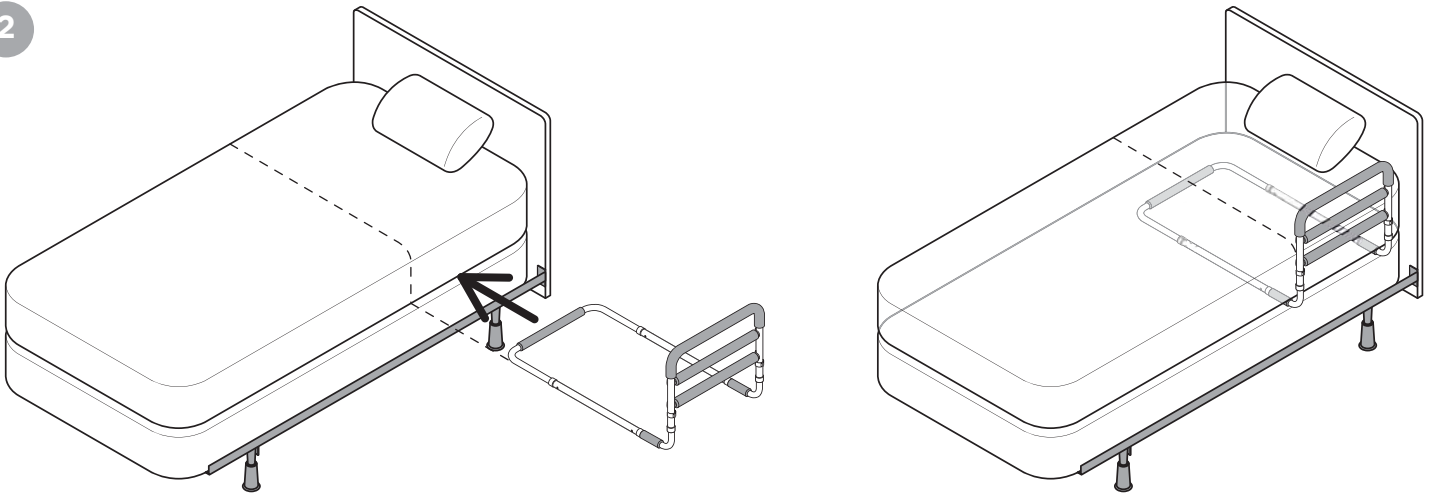




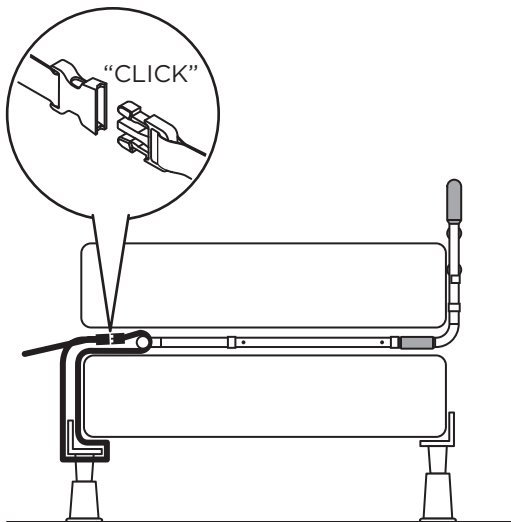
1



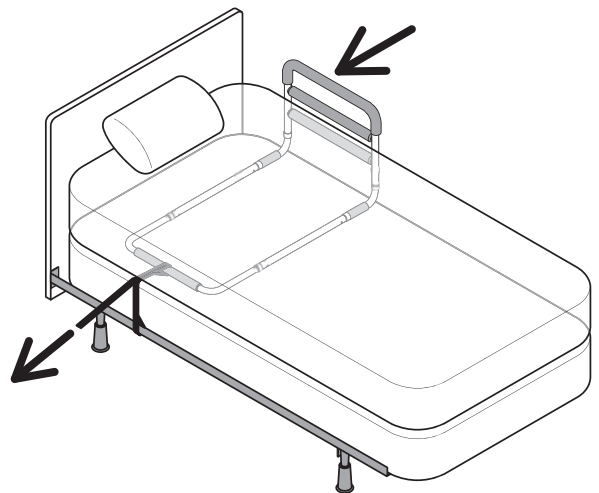
2



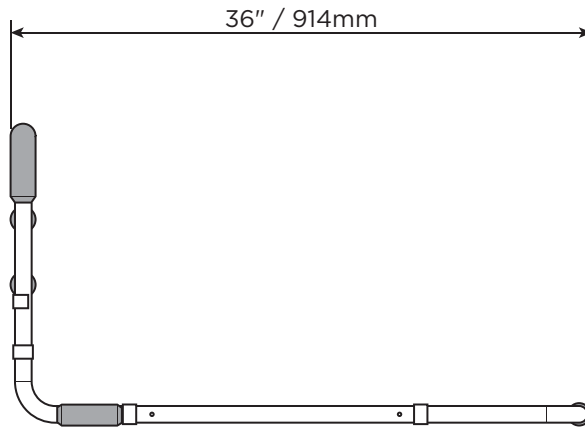
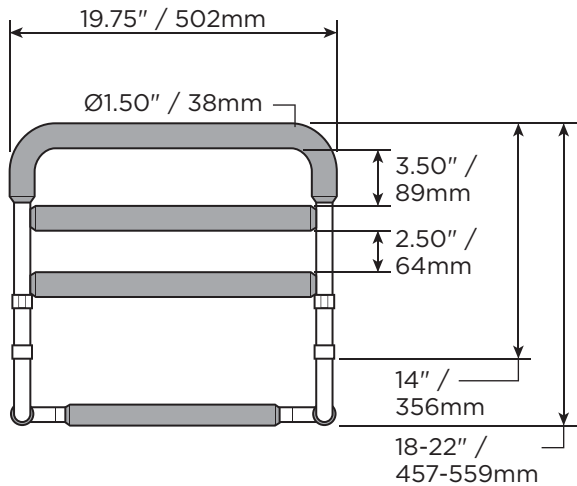
3



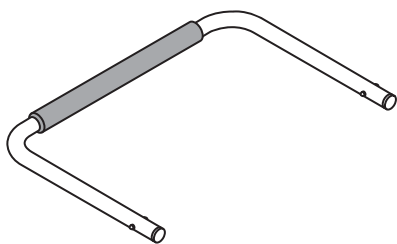
4



E

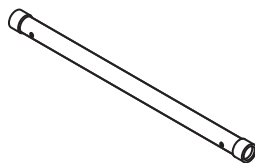


MAX
 300lbs / 136kg



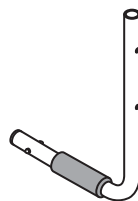
FE / EVA / LDPE

1.50lbs / 0.68kg



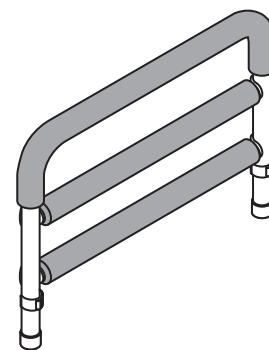
FE / PA

0.70lbs / .32kg



FE / EVA / LDPE

0.80lbs / 0.36kg



FE / EVA / PA

4.10lbs / 1.86kg

F

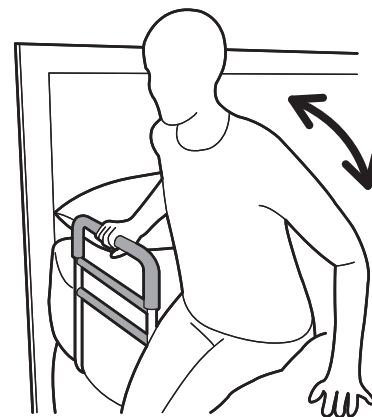
1



2



3



English

OVERVIEW

Thank you for choosing the Assista-Rail from HealthCraft. Please read and understand the instructions in this manual; keep manual for future reference. It is your responsibility to see that your Assista-Rail is properly assembled, installed, and cared for. Failure to follow instructions in this manual could result in serious injury or death. If you are not equipped to undertake the outlined work, we would recommend that you have your Assista-Rail installed by a qualified contractor.

The Assista-Rail is a fixed bed rail. The Assista-Rail is intended ONLY for minimal vertical load bearing to provide bed positioning and seating support for people with reduced mobility. The Assista-Rail is intended for home use. The Assista-Rail is installed between the mattress and box spring, and is secured in place with a safety strap. The Assista-Rail is height adjustable to accommodate the thickness of the mattress. The maximum user weight for this product is 300lbs / 136kgs. Product is not intended to support full body weight. The Assista-Rail is not to be used in any other way than described above.

WARNING - PATIENT ENTRAPMENT (see additional guidelines)

The potential risk of entrapment (limb, neck, head, torso) between the bed rail and adjacent item (i.e. mattress, headboard, sidetables, etc.) can be reduced or avoided by the following strategies:

1. Situate the bed rail at a distance that is considerably smaller or larger than that which could result in entrapment.
2. Consider situations that could change with time or usage such as mattress compression, patient movement, bed position changes due to electrically powered beds, etc.
3. Realize that this product is not intended as a physical constraint or barrier to exiting the bed.

LIMITED LIFETIME WARRANTY

Products are covered by a limited lifetime warranty against defects in materials and workmanship for the original purchaser. Warranty excludes products that have been damaged through misuse, accidental damage, alteration, normal wear and tear, wood material and stain, or the use of corrosive or abrasive cleaning products.

Buyer hereby indemnifies, agrees to hold harmless and defend HealthCraft Products Inc. from and against any and all liabilities, claims, (founded and unfounded), losses, damages, costs and expenses (including without limitation consequential damages and reasonable professional fees) resulting from buyers specification, application, or improper use of goods described herein; buyers omission or neglect. HealthCraft Products Inc. does not assume any liability for damage resulting from services performed by others or faulty installation, misuse or misapplication of goods sold by HealthCraft Products Inc. HealthCraft Products Inc. shall not be liable for prospective profits or special, indirect, or consequential damages, or for the cost of any corrective work done without HealthCraft Products Inc. prior approval. HealthCraft Products Inc. total liability hereunder shall in no event exceed the purchase price of the goods specified herein.

Specifications subject to change without notice.



DELIVERY CONTENTS / PARTS

FIGURE A.

1. Handle Assembly (x1)
2. Upright Tube (x2)
3. Side Tube (x2)
4. Back Tube (x1)
5. Safety Strap (x1)
6. Locking Pin (x2)
7. Bed Organizer (x1)

SAFETY CONSIDERATIONS

FIGURE B.

The Assista-Rail is intended to be used when the bed casters are locked. The Assista-Rail is intended for moderate vertical load bearing ONLY. The Assista-Rail is not intended for sideward (lateral) support. The Assista-Rail is not intended to support the full weight of an individual. The Assista-Rail is not intended for children to play or hang onto. The Assista-Rail is not to be used on electric or hospital style beds. The Assista-Rail is not to be used with light-weight mattresses, and the mattress must fully cover base frame.

ASSEMBLY

FIGURE C.

1. Slide side tubes over back tube and engage spring locks.
2. Slide upright tubes into sides tubes and engage spring locks.
3. Slide handle assembly over upright tubes.
4. Set desired height, align holes and install locking pin.

OPTIONAL Bed Organizer

5. Loop straps around vertical tubes of rail, above top cross beam.
6. Snap button to secure bed organizer in place.

INSTALLATION

FIGURE D.

1. While laying in bed, note position of waistline.
2. Slide rail between box spring and mattress, in line with waistline.
3. Loop the strap between the rail and the angle iron of the bed frame.
4. Tighten strap to pull rail tight against the side of the bed.

TECHNICAL DATA

See Figure E.

PRODUCT USAGE

See Figure F.