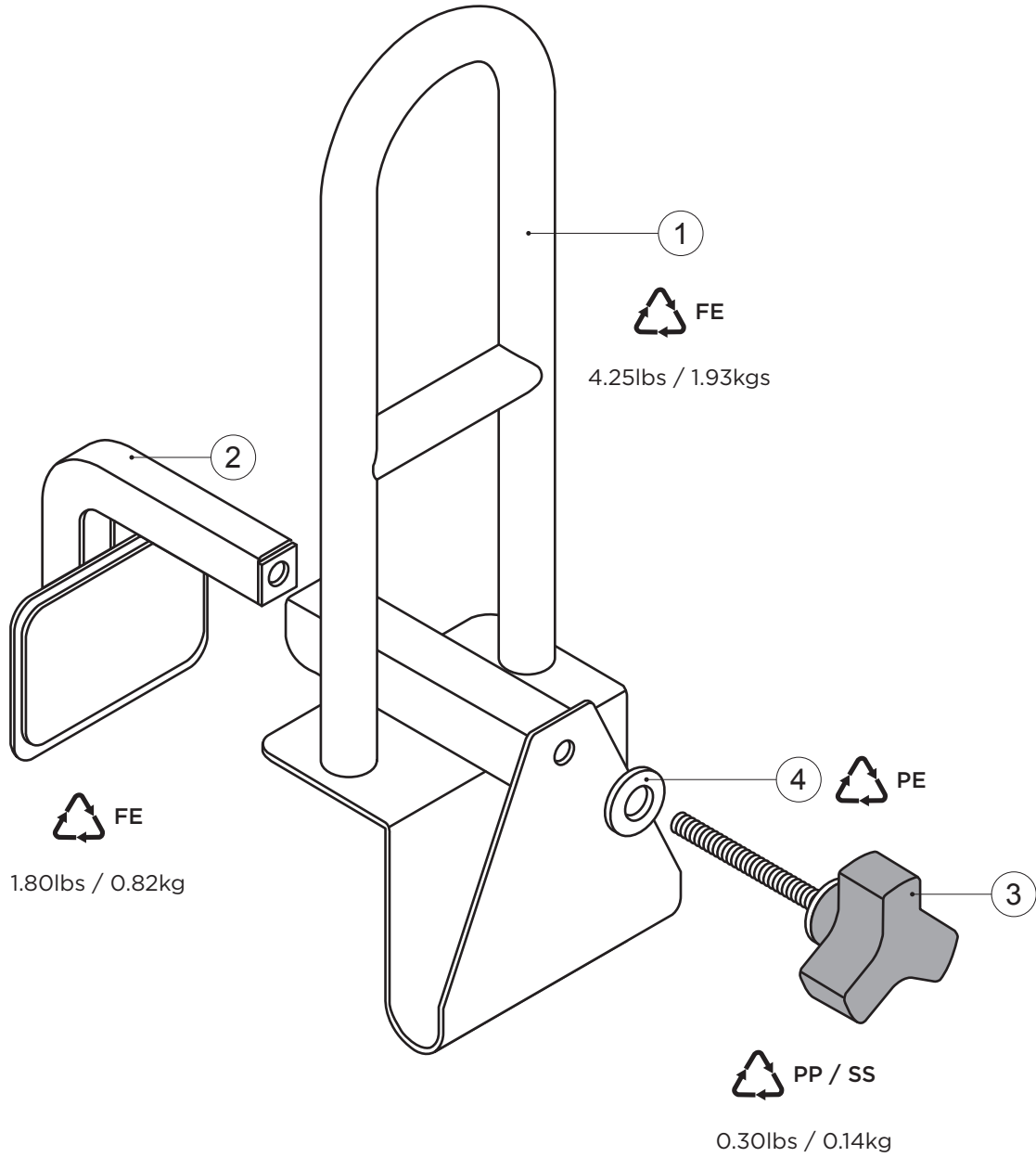
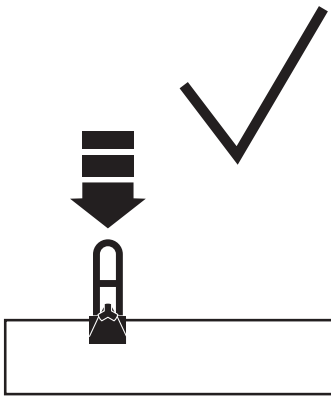


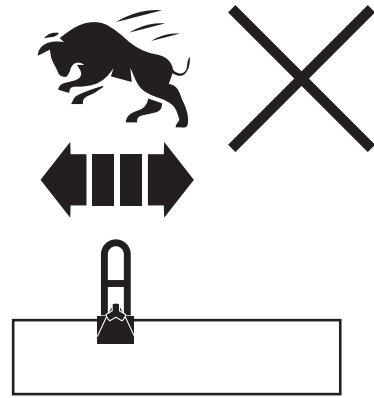
**Tub-Rail™**  
TBR-S  
(DC106 - RevA)



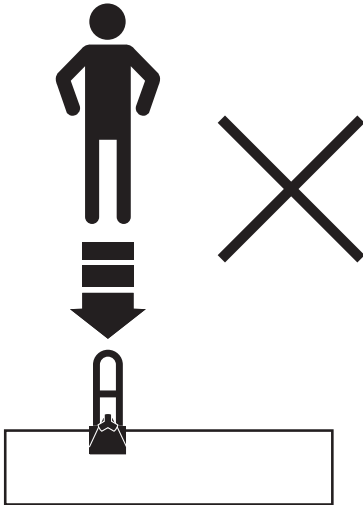
1



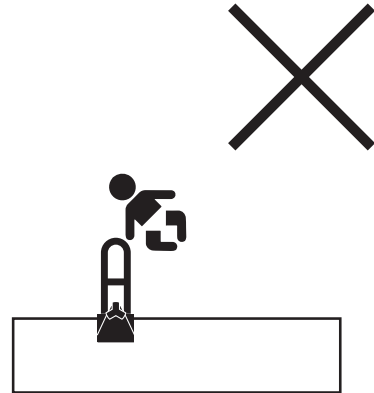
2



3



4



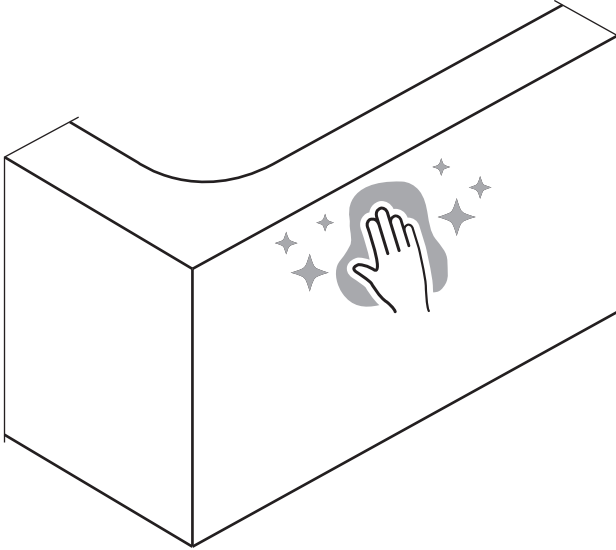
5



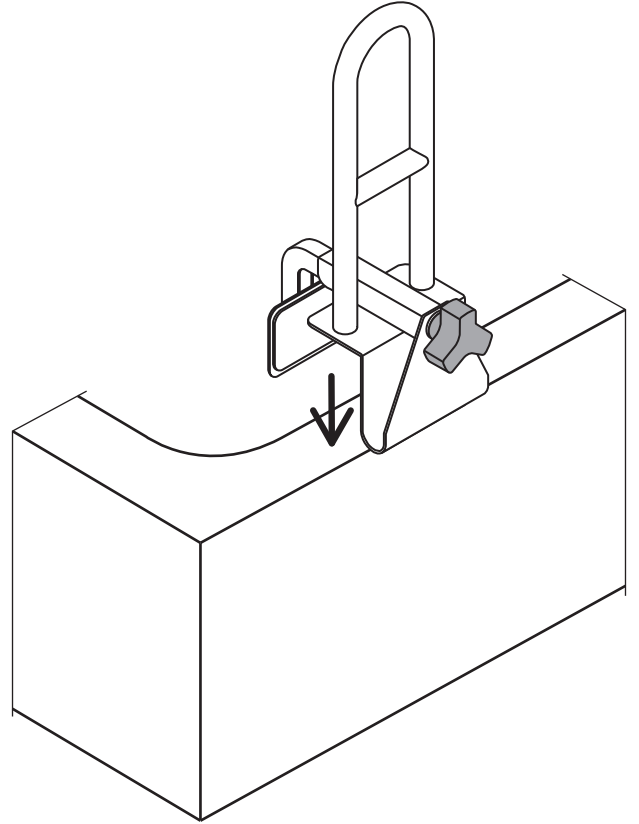
6



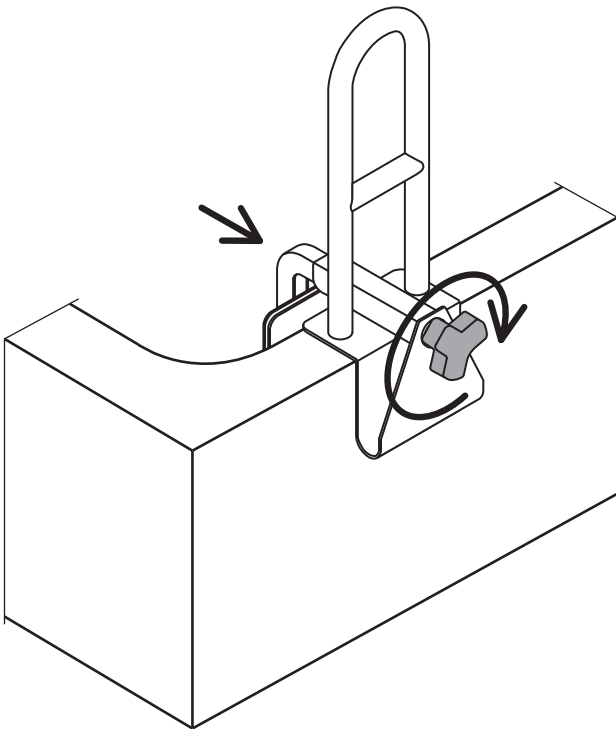
1



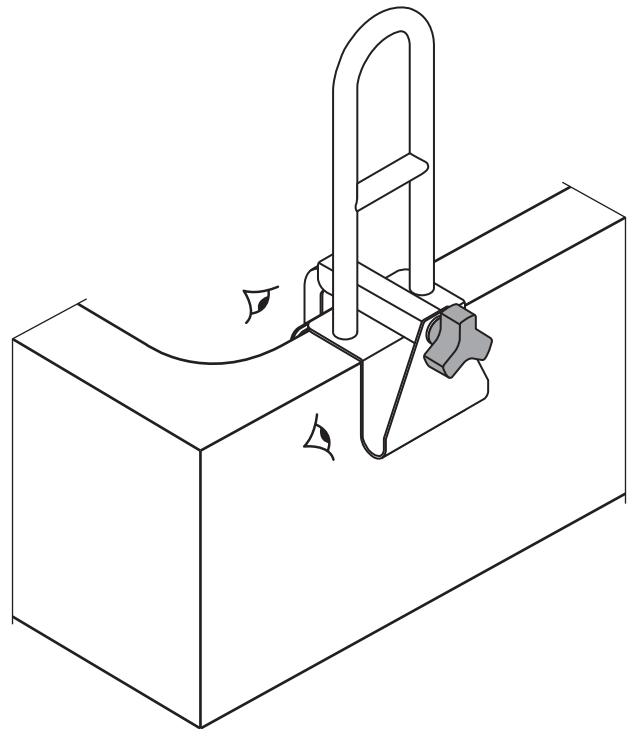
2



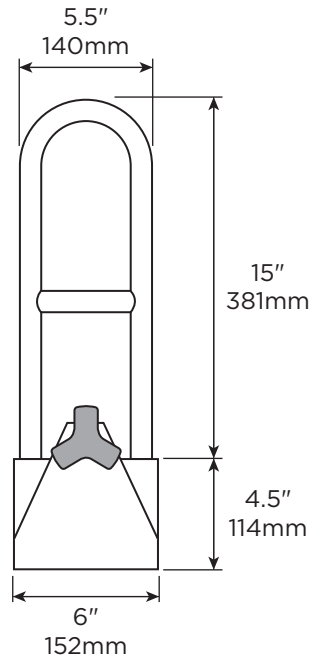
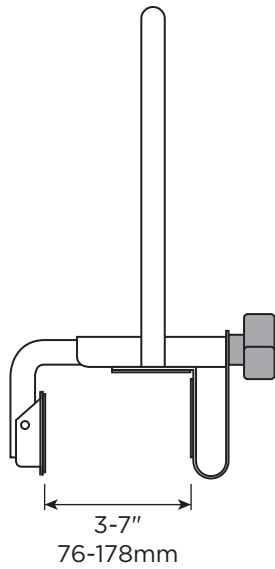
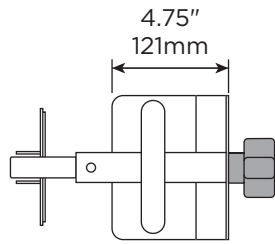
3



4



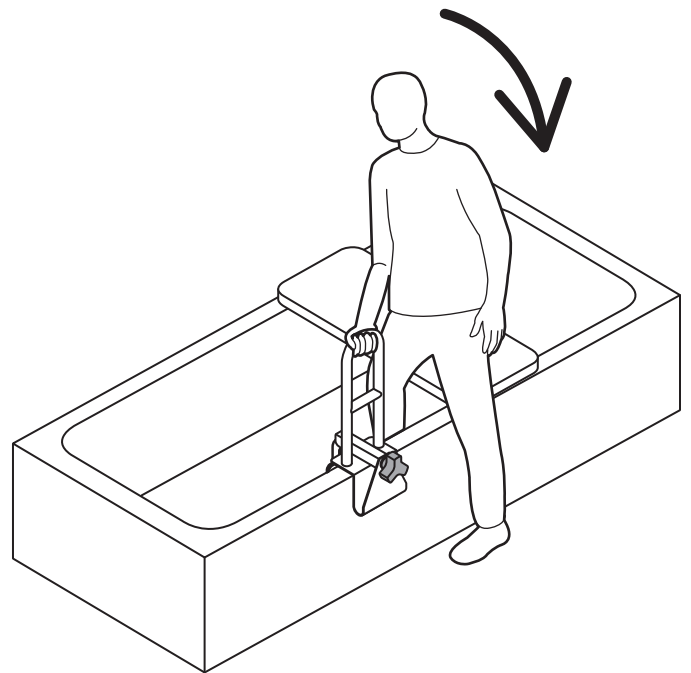
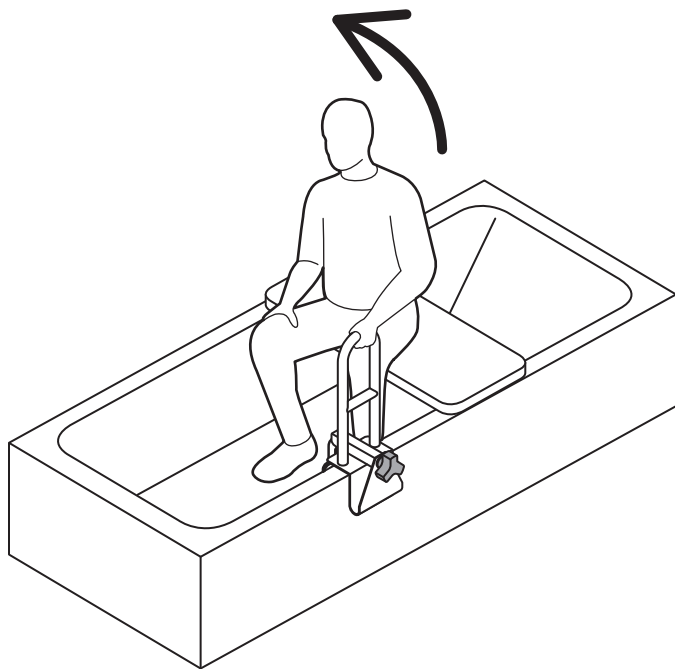
# D



**MAX**  
300lbs  
136kg



# E



# English

## OVERVIEW

Thank you for choosing the Tub-Rail from HealthCraft. Please read and understand the instructions in this manual; keep manual for future reference. It is your responsibility to see that your Tub-Rail is properly assembled, installed, and cared for. Failure to follow instructions in this manual could result in serious injury or death. If you are not equipped to undertake the outlined work, we would recommend that you have your Tub-Rail installed by a qualified contractor.

The Tub-Rail is a high quality tub mounted grab bar that clamps onto a bathtub threshold. The Tub-Rail is intended for moderate vertical load bearing to provide sitting and standing support for people with reduced mobility. The clamping mechanism is a stainless steel threaded rod that, when tightened, pulls an articulating clamp plate against the bathtub threshold to provide force strong enough to support the user. The maximum user weight for this product is 300lbs / 136kgs. Not to be used on fiberglass bathtubs. Note: Product is not intended to support full body weight. The Tub-Rail is not to be used in any other way than described above.

## ONE YEAR WARRANTY

Products are covered by a one year warranty against defects in materials and workmanship for the original purchaser. Warranty excludes products that have been damaged through misuse, accidental damage, alteration, normal wear and tear, wood material and stain, or the use of corrosive or abrasive cleaning products.

Buyer hereby indemnifies, agrees to hold harmless and defend HealthCraft Products Inc. from and against any and all liabilities, claims, (founded and unfounded), losses, damages, costs and expenses (including without limitation consequential damages and reasonable professional fees) resulting from buyers specification, application, or improper use of goods described hereon; buyers omission or neglect. HealthCraft Products Inc. does not assume any liability for damage resulting from services performed by others or faulty installation, misuse or misapplication of goods sold by HealthCraft Products Inc. HealthCraft Products Inc. shall not be liable for prospective profits or special, indirect, or consequential damages, or for the cost of any corrective work done without HealthCraft Products Inc. prior approval. HealthCraft Products Inc. total liability hereunder shall in no event exceed the purchase price of the goods specified hereon.

Specifications subject to change without notice.



## DELIVERY CONTENTS / PARTS

FIGURE A.

1. Handle
2. Clamp Arm & Plate Assembly
3. Knob
4. Plastic Washer

## SAFETY CONSIDERATIONS

FIGURE B.

1. The Tub-Rail is intended for moderate vertical load bearing ONLY.
2. The Tub-Rail is not intended for sideward (lateral) support.
3. The Tub-Rail is not intended to support the full weight of an individual.
4. The Tub-Rail is not intended for children to play or hand onto.
5. CAUTION – clamp force can cause damage and creates possible pinch point.
6. CAUTION - Tub-Rail and bathtub are slippery when wet.

## ASSEMBLY

FIGURE C.

1. To ensure secure installation, clean contact surfaces on bathtub thoroughly and wipe dry.
2. Place Tub-Rail on side of bathtub (knob facing outwards), ensuring the handle contacts the top and outside of the bathtub.
3. Turn knob until clamp plate is tight against inside of bathtub.
4. Test and inspect hardware regularly, and tighten if required.

## TECHNICAL DATA

See Figure D.

## PRODUCT USAGE

See Figure E.