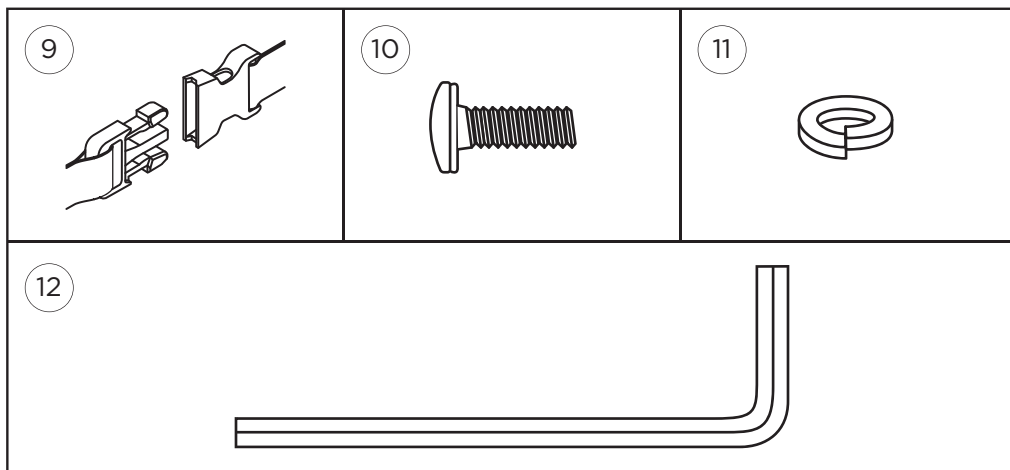
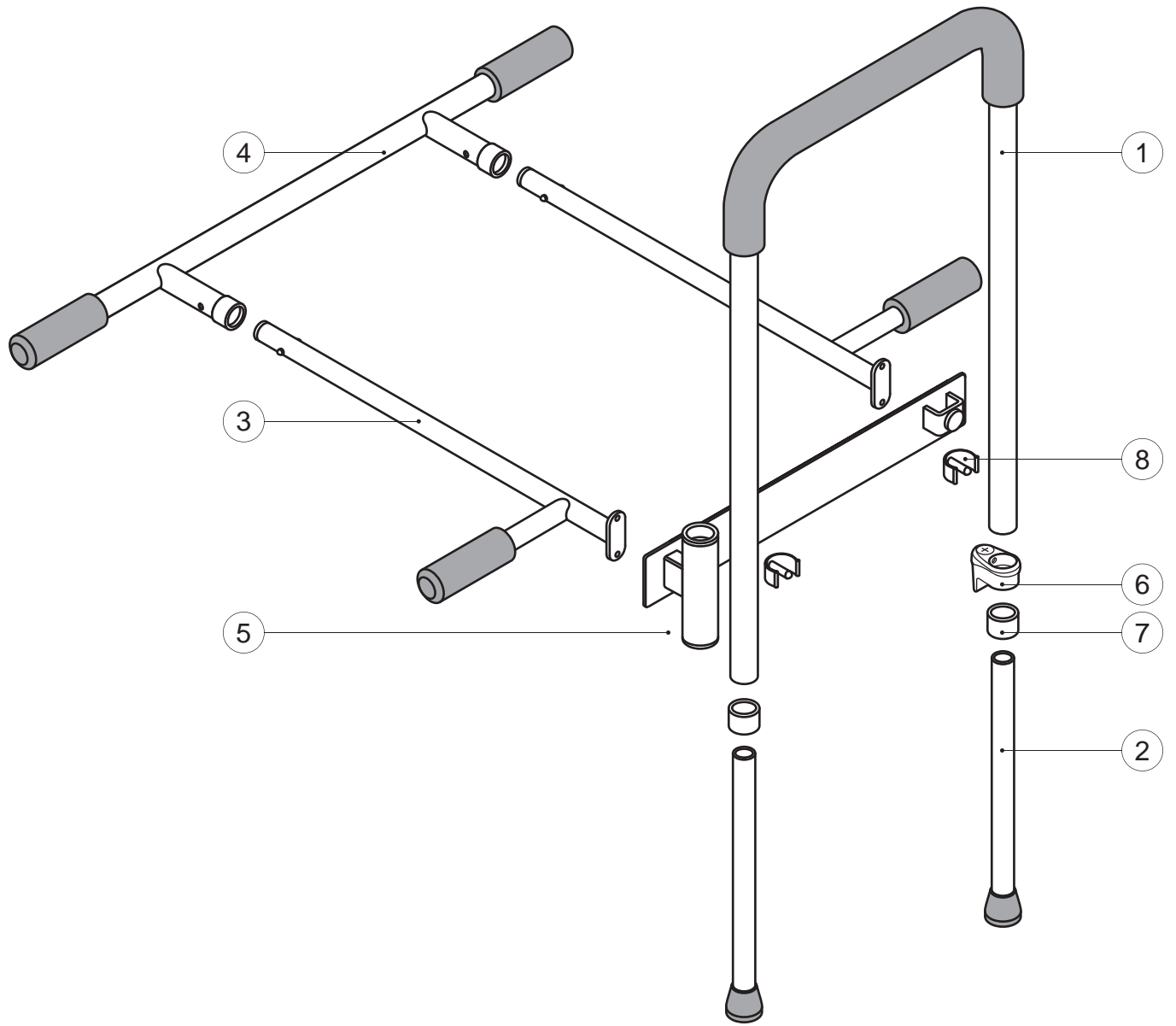
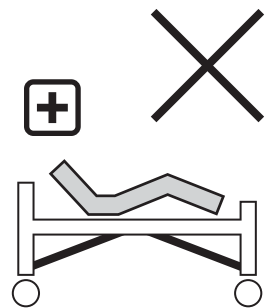
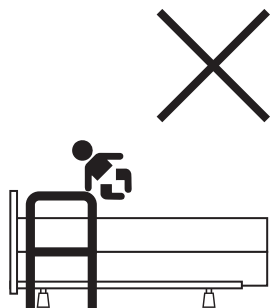
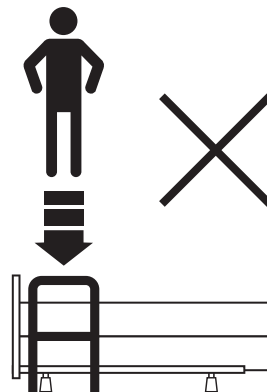
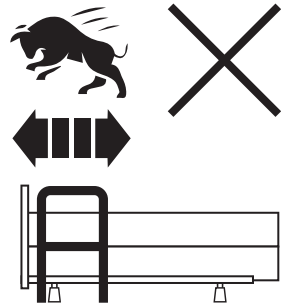
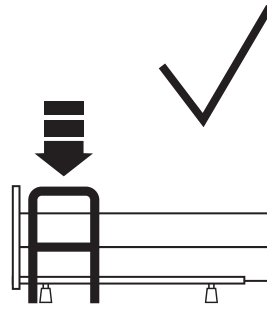
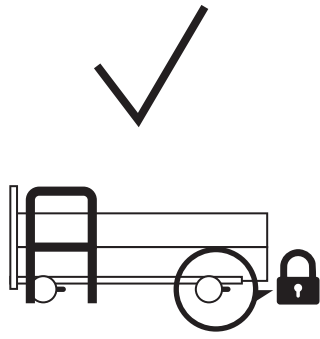


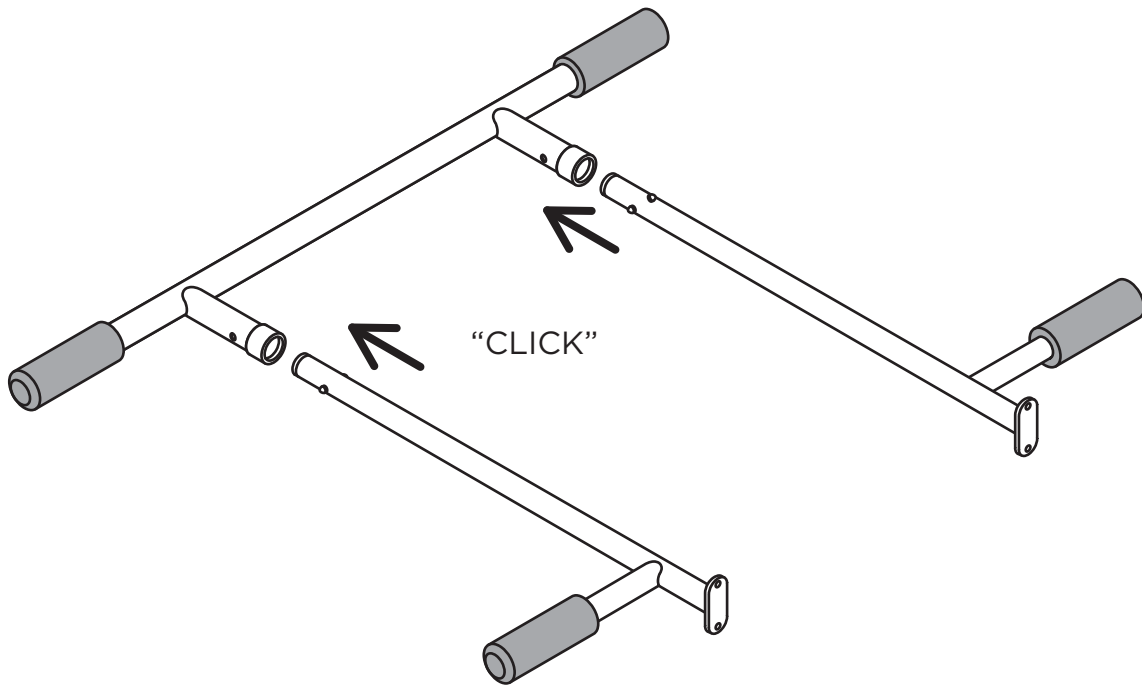
Smart-Rail™
SRS-S
(DC103 - RevE)

A

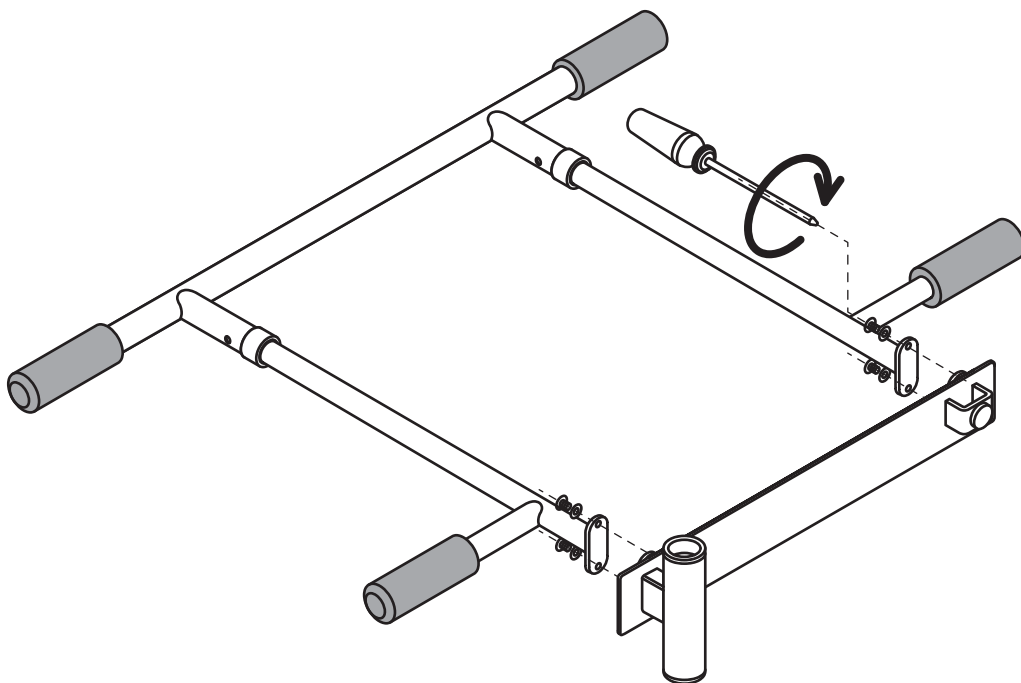




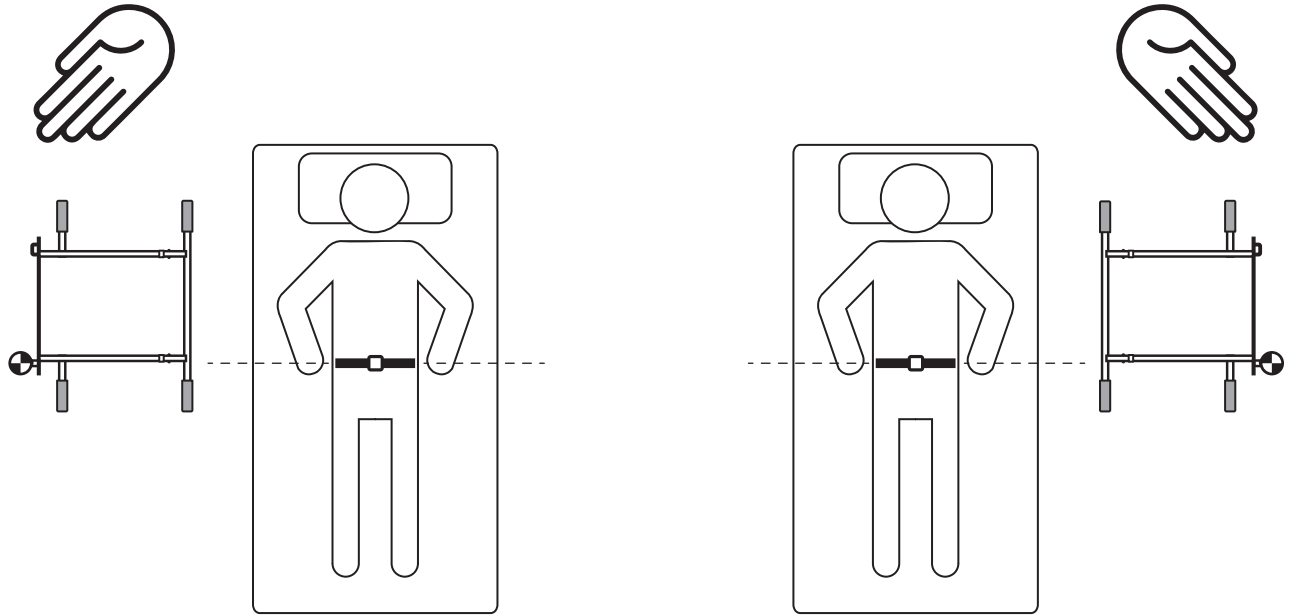
1



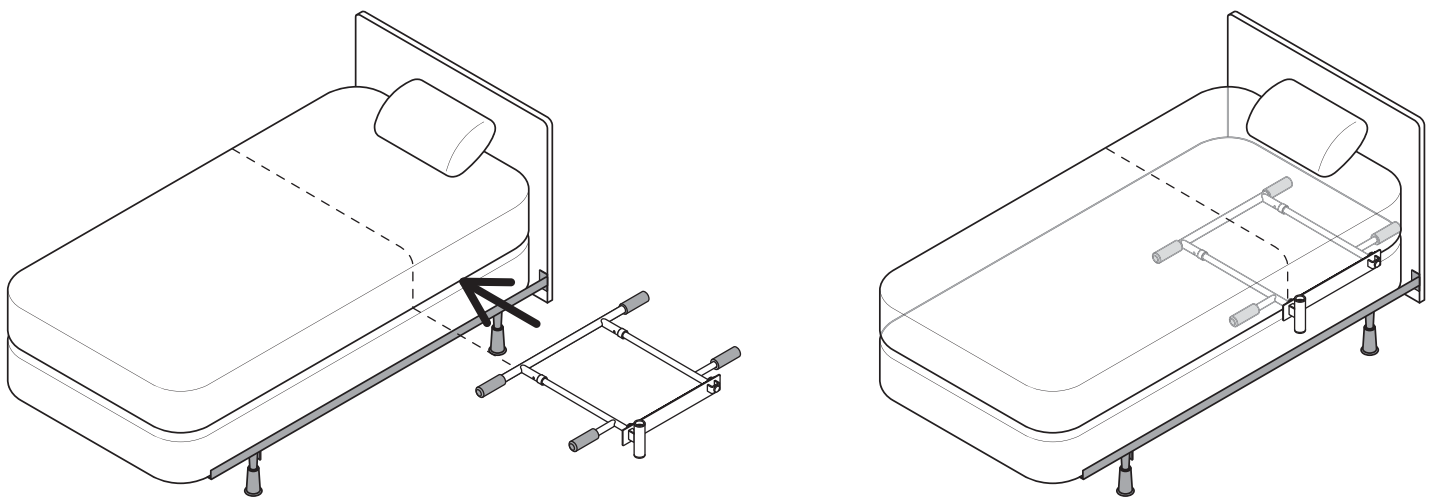
2



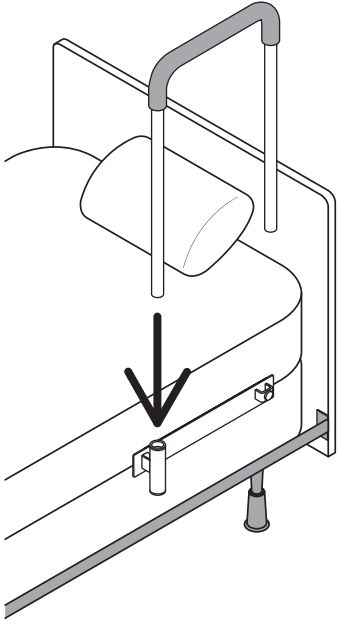
1



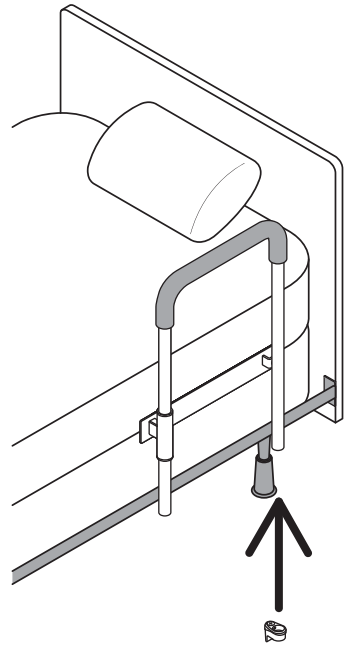
2



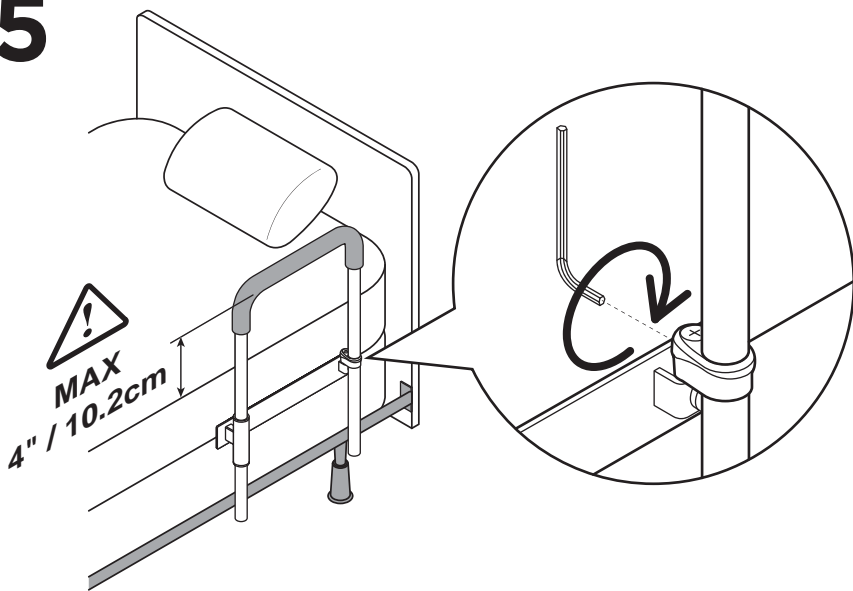
3



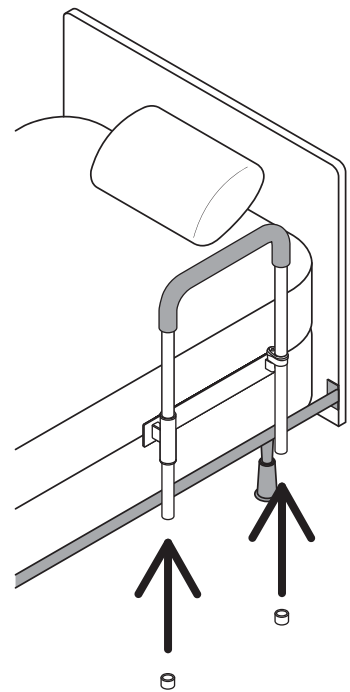
4



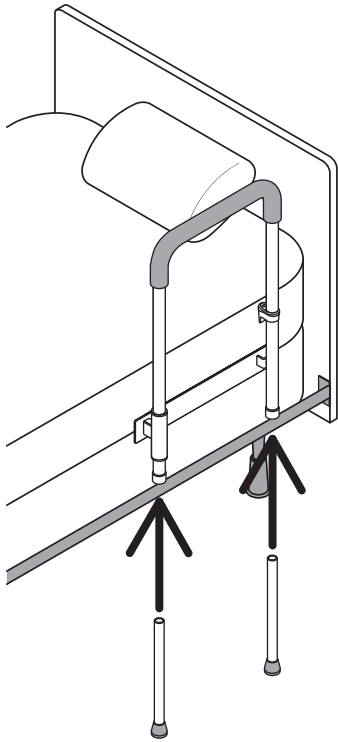
5



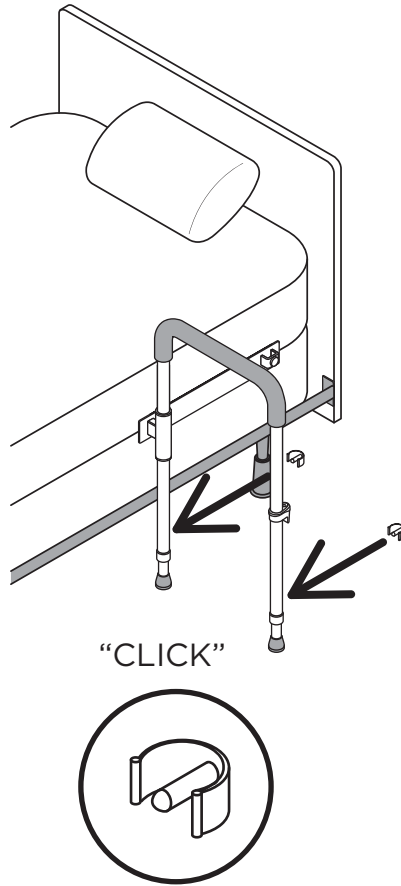
6



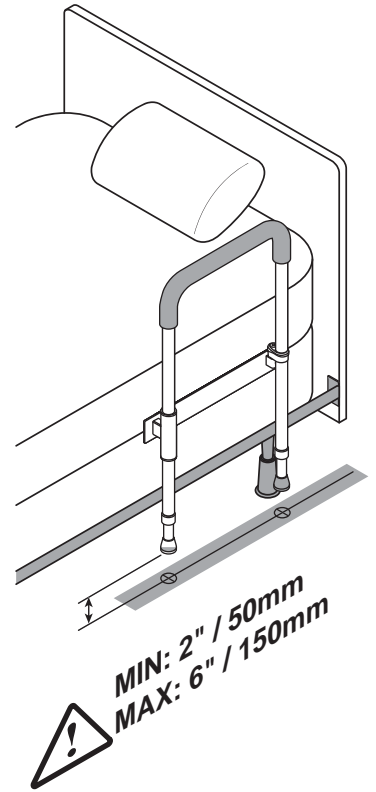
7



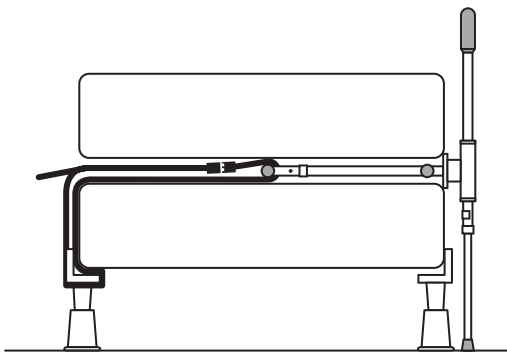
8



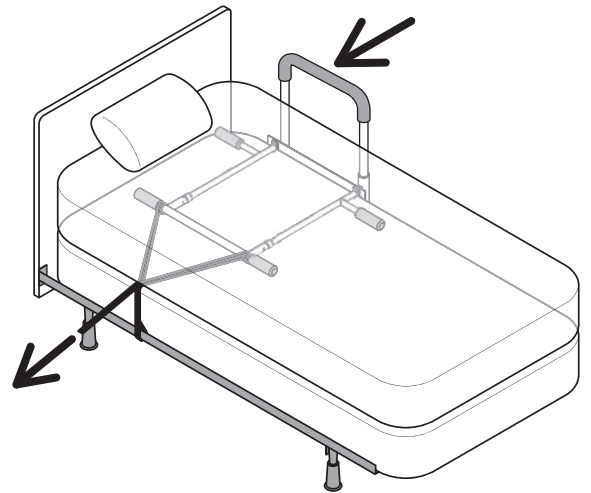
9



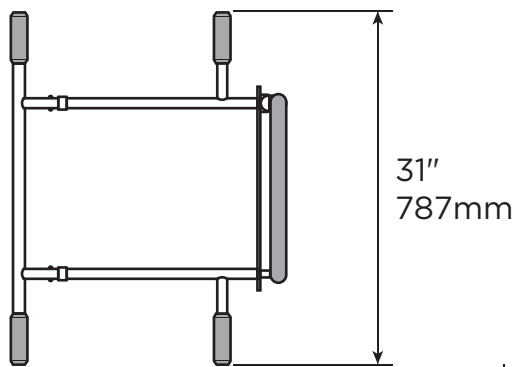
10



11

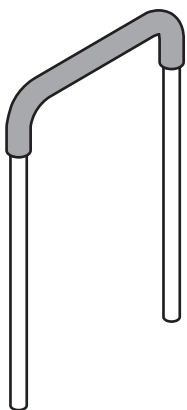
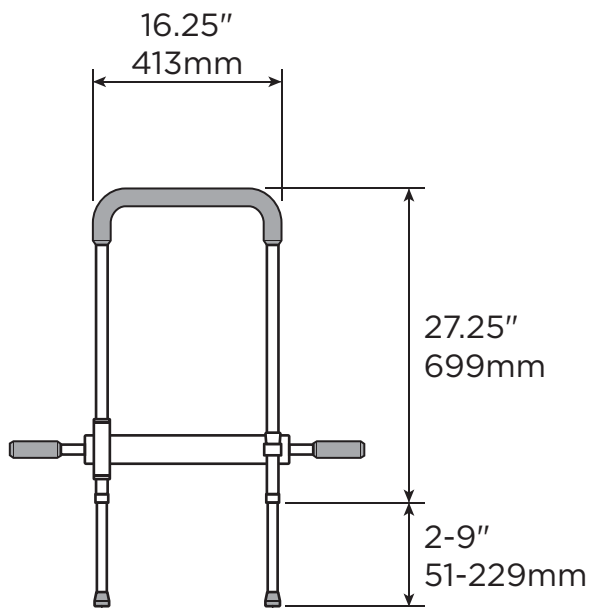
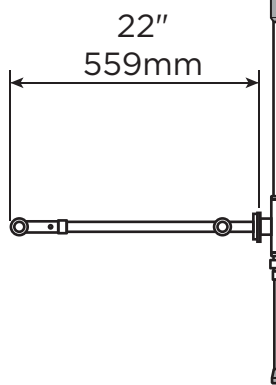


E

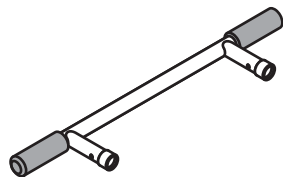


MAX
300lbs
136kg

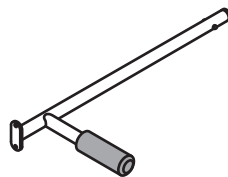
Ø1.50" / 38.1mm



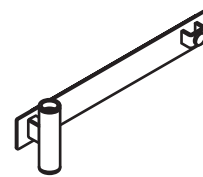
FE / EVA
3.05lbs
1.38kg



FE / EVA / LDPE
1.35lbs
0.62kg



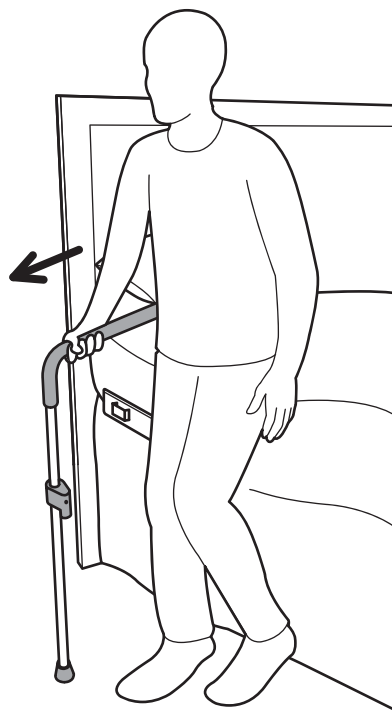
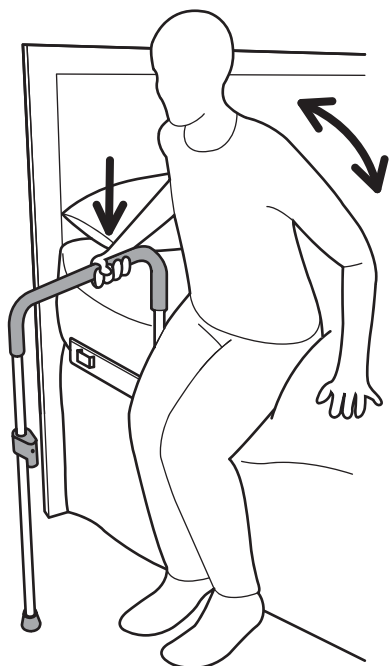
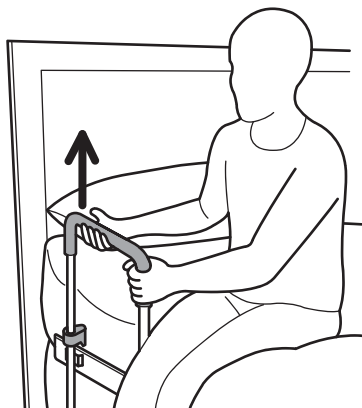
FE / EVA / LDPE
0.95lbs
0.43kg



FE / LDPE
2.55lbs
1.16kg



FE
0.65lbs
0.29kg



English

OVERVIEW

Thank you for choosing the Smart-Rail from HealthCraft. Please read and understand the instructions in this manual; keep manual for future reference. It is your responsibility to see that your Smart-Rail is properly assembled, installed, and cared for. Failure to follow instructions in this manual could result in serious injury or death. If you are not equipped to undertake the outlined work, we would recommend that you have your Smart-Rail installed by a qualified contractor.

The Smart-Rail is a bed rail with 2 positions: closed and opened. In the closed position, the rail is latched to the support frame to assist with in-bed positioning. In the opened position, the rail is unlatched from the support frame and pivoted out to the optimal location to assist with sitting and standing. The Smart-Rail is intended ONLY for moderate vertical load bearing to provide bed positioning, sitting and standing support for people with reduced mobility. The Smart-Rail is installed between the mattress and box spring, and is secured in place with a safety strap. In the closed position, the Smart-Rail is height adjustable to accommodate the thickness of the mattress. In the opened position, the Smart-Rail is height adjustable to accommodate the height of the user. The maximum user weight for this product is 300lbs / 136kgs. Product is not intended to support full body weight. The Smart-Rail is not to be used in any other way than described above.

WARNING - PATIENT ENTRAPMENT (see additional guidelines)

The potential risk of entrapment (limb, neck, head, torso) between the bed rail and adjacent item (i.e. mattress, headboard, sidetables, etc.) can be reduced or avoided by the following strategies:

1. Situate the bed rail at a distance that is considerably smaller or larger than that which could result in entrapment.
2. Consider situations that could change with time or usage such as mattress compression, patient movement, bed position changes due to electrically powered beds, etc.
3. Realize that this product is not intended as a physical constraint or barrier to exiting the bed.

LIMITED LIFETIME WARRANTY

Products are covered by a limited lifetime warranty against defects in materials and workmanship for the original purchaser. Warranty excludes products that have been damaged through misuse, accidental damage, alteration, normal wear and tear, wood material and stain, or the use of corrosive or abrasive cleaning products.

Buyer hereby indemnifies, agrees to hold harmless and defend HealthCraft Products Inc. from and against any and all liabilities, claims, (founded and unfounded), losses, damages, costs and expenses (including without limitation consequential damages and reasonable professional fees) resulting from buyers specification, application, or improper use of goods described herein; buyers omission or neglect. HealthCraft Products Inc. does not assume any liability for damage resulting from services performed by others or faulty installation, misuse or misapplication of goods sold by HealthCraft Products Inc. HealthCraft Products Inc. shall not be liable for prospective profits or special, indirect, or consequential damages, or for the cost of any corrective work done without HealthCraft Products Inc. prior approval. HealthCraft Products Inc. total liability hereunder shall in no event exceed the purchase price of the goods specified hereon. Specifications subject to change without notice.



DELIVERY CONTENTS - SMART-RAIL

FIGURE A.

- | | | | |
|---------------------|------|--------------------|------|
| 1. Pivot Rail | (x1) | 7. Plastic Bushing | (x2) |
| 2. Extension Leg | (x2) | 8. Locking Pin | (x2) |
| 3. Side Frame | (x2) | 9. Safety Strap | (x1) |
| 4. Back Frame | (x1) | 10. 10-32 Screw | (x4) |
| 5. Face Plate Frame | (x1) | 11. Lock Washer | (x4) |
| 6. Latch Collar | (x1) | 12. Hex Key | (x1) |

SAFETY CONSIDERATIONS

FIGURE B.

The Smart-Rail is intended to be used when the bed casters are locked. The Smart-Rail is intended for moderate vertical load bearing ONLY. The Smart-Rail is not intended for sideward (lateral) support. The Smart-Rail is not intended to support the full weight of an individual. The Smart-Rail is not intended for children to play or hang onto. The Smart-Rail is not to be used on electric or hospital style beds. The Smart-Rail is not to be used with light-weight mattresses, and the mattress must fully cover base frame.

FRAME ASSEMBLY

FIGURE C.

1. Insert side frame into back frame and engage spring locks.
2. Assemble side frames to face plate with screws & lock washers.

INSTALLATION

FIGURE D.

1. While laying in bed, note position of waistline.
2. Slide rail between box spring and mattress, and align pivot tube of face plate frame with waistline.
3. Install pivot rail into pivot tube of face plate.
4. Slide latch collar onto pivot rail. Ensure logo on latch collar is facing upwards.
5. To set height of pivot rail in locked position, tighten set screw in latch collar. NOTE: to minimize bed entrapment, maximum distance between top of mattress and pivot rail is 4" / 10.2cm.
6. Slide plastic bushings onto ends of pivot rail.
7. Slide extension legs into pivot rail.
8. To set height of pivot rail in the opened position, align holes and install locking pins.
9. When pivot rail is in locked position, ensure that the pivot legs are between 2-6" / 50-150mm from the floor.
10. Loop the strap between the frame and the angle iron of the bed frame.
11. Tighten strap to pull rail tight against the side of the bed.

TECHNICAL DATA

See Figure E.

PRODUCT USAGE

See Figure F.